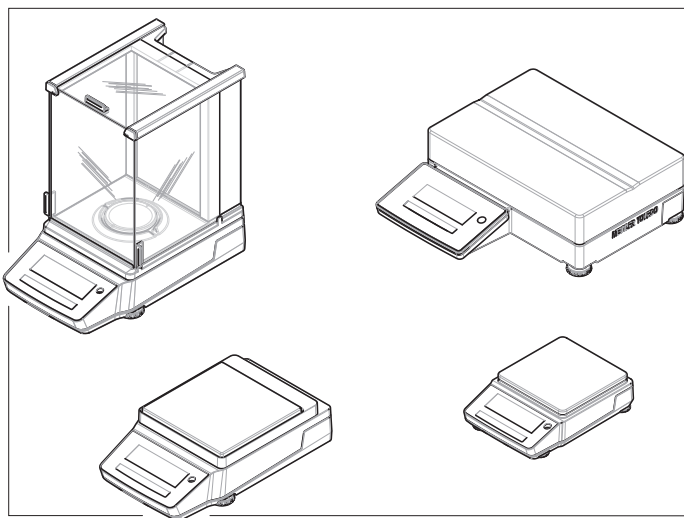


English	User Manual Analytical and Precision Balances MA
Deutsch	Benutzerhandbuch Analysen- und Präzisionswaagen MA
Español	Manual de usuario Balanzas analíticas y de precisión MA
Français	Guide de l'utilisateur Balances d'analyse et de précision fine MA
简体中文	用户手册 分析与精密天平 MA
日本語	ユーザマニュアル 分析天びん・上皿天びん MA
Čeština	Návod k použití Analytické a přesné váhy MA
Dansk	Brugervejledning Analyse- og præcisionsvægte MA
Hrvatski	Korisnički priručnik Analitičke i precizne vage MA
Magyar	Felhasználói útmutató Analitikai és precíziós mérlegek MA



METTLER TOLEDO



► www.mt.com/MA-RM

en For full information, always refer to the Reference Manual (RM).

de Ausführliche Informationen finden Sie stets im Referenzhandbuch (RM).

es Para obtener más información, consulte siempre el manual de referencia (RM).

fr Il convient de se reporter systématiquement au Manuel de référence (RM) pour obtenir des informations exhaustives.

zh 有关完整信息，请查阅《参考手册（RM）》。

ja すべての情報については、必ずリファレンスマニュアル（RM）を参照してください。

cs Podrobné informace naleznete vždy v referenční příručce (RM).

da Se altid referencemanualen (RM) for at få de komplette oplysninger.

hr Sve informacije uvijek možete pronaći u referentnom priručniku (RM).

hu A részletes információkat megtalálja a Referencia-kézikönyvben (RM).

User Manual **Analytical and Precision Balances**

English

Benutzerhandbuch **Analysen- und Präzisionswaagen**

Deutsch

Manual de usuario **Balanzas analíticas y de precisión**

Español

Guide de l'utilisateur **Balances d'analyse et de précision fine**

Français

用户手册 **分析与精密天平**

简体中文

ユーザマニュアル **分析天びん・上皿天びん**

日本語

Návod k použití **Analytické a přesné váhy**

Čeština

Brugervejledning **Analyse- og præcisionsvægte**

Dansk

Korisnički priručnik **Analitičke i precizne vage**

Hrvatski

Felhasználói útmutató **Analitikai és precíziós mérlegek**

Magyar

Table of Contents

1	Introduction	3
1.1	Document purpose	3
1.2	Further documents and information	3
1.3	Acronyms and abbreviations	3
2	Safety Information	4
2.1	Definition of signal words and warning symbols	4
2.2	Product-specific safety notes	4
3	Design and Function	5
3.1	Overview analytical balances	6
3.2	Overview precision balances, small	6
3.3	Overview precision balances, large	7
3.4	Overview precision balances, compact	7
3.5	Overview terminal	8
3.6	Overview interface connections	9
3.7	Components description	9
3.7.1	Draft shield	9
3.7.2	Weighing pan	9
3.7.3	Drip tray	9
3.7.4	Door handle	10
3.7.5	Leveling feet	10
3.7.6	Terminal	10
3.7.7	QuickLock for doors and front panel	10
3.7.8	Release button for back panel	11
3.8	User interface	11
3.8.1	Main sections at a glance	11
3.8.2	Main weighing screen	12
4	Installation and Putting into Operation	14
4.1	Selecting the location	14
4.2	Unpacking the balance	15
4.3	Installation	15
4.3.1	Balances with draft shield	16
4.3.2	Balances without draft shield	18
4.3.3	Balances, large	18
4.3.4	Balances, compact	18
4.4	Putting into operation	19
4.4.1	Connecting the balance	19
4.4.2	Switching on the balance	19
4.4.3	Leveling the balance	19
4.4.3.1	Leveling large balances	20
4.4.3.2	Leveling compact balances	20
4.4.3.3	Leveling all other balances	21
4.4.4	Performing an internal adjustment	21
4.4.5	Entering / Exiting standby mode	22
4.4.6	Entering / Exiting hibernation mode	22
4.4.7	Switching off the balance	22
4.5	Performing a simple weighing	22
4.5.1	Opening and closing draft shield doors	22
4.5.2	Zeroing the balance	22
4.5.3	Taring the balance	23
4.5.4	Performing a weighing	23

4.6	Using batteries (compact balance).....	23
4.6.1	Inserting or replacing batteries.....	23
4.7	Transporting, packing, and storing.....	24
4.7.1	Transporting the balance over short distances.....	24
4.7.2	Transporting the balance over long distances.....	24
4.7.3	Packing and storing.....	24
5	Maintenance	25
5.1	Maintenance tasks.....	25
5.2	Cleaning.....	25
5.2.1	Disassembling for cleaning.....	25
5.2.1.1	Balances with draft shield.....	26
5.2.1.2	Balances without draft shield.....	28
5.2.1.3	Balances, large.....	28
5.2.1.4	Balances, compact.....	29
5.2.2	Cleaning the balance.....	29
5.2.3	Putting into operation after cleaning.....	30
5.3	Service.....	30
6	Technical Data	30
6.1	General data.....	30
7	Disposal	31
8	Compliance Information	31

1 Introduction

Thank you for choosing a METTLER TOLEDO balance. The balance combines high performance with ease of use.

EULA

The software in this product is licensed under the METTLER TOLEDO End User License Agreement (EULA) for Software.

When using this product you agree to the terms of the EULA.

▶ www.mt.com/EULA

1.1 Document purpose

This User Manual provides brief instructions about the first steps to take with the instrument. This ensures safe and efficient handling. Personnel must have carefully read and understood this manual before performing any task.

1.2 Further documents and information

This document is available in other languages online.



▶ www.mt.com/MA-UM

Product page:

▶ www.mt.com/MA-balances

Instructions for cleaning a balance, "8 Steps to a Clean Balance":

▶ www.mt.com/lab-cleaning-guide

Search for software:

▶ www.mt.com/labweighing-software-download

Search for documents:

▶ www.mt.com/library

For further questions, please contact your authorized METTLER TOLEDO dealer or service representative.

▶ www.mt.com/contact

1.3 Acronyms and abbreviations

Original term	Explanation
AC	Alternating Current
ASTM	American Society for Testing and Materials
DC	Direct Current
EMC	Electromagnetic Compatibility
FCC	Federal Communications Commission
GWP	Good Weighing Practice
HID	Human Interaction Device
ID	Identification
IP	Ingress Protection
LAN	Local Area Network
LED	Light-Emitting Diode
LPS	Limited Power Source
MAC	Media Access Control

MT-SICS	METTLER TOLEDO Standard Interface Command Set
NA	Not Applicable
OIML	Organisation Internationale de Métrologie Légale (International Organization of Legal Metrology)
RAM	Random Access Memory
RM	Reference Manual
SOP	Standard Operating Procedure
UM	User Manual
USB	Universal Serial Bus
USP	United States Pharmacopeia

2 Safety Information

Two documents named "User Manual" and "Reference Manual" are available for this instrument.

- The User Manual is available online in various languages.
- A printed version of the User Manual is delivered with the instrument.
- The Reference Manual is available online. This manual contains a full description of the instrument and its use.
- Keep both documents for future reference.
- Include both documents if you transfer the instrument to other parties.

Only use the instrument according to the User Manual and the Reference Manual. If you do not use the instrument according to these documents or if the instrument is modified, the safety of the instrument may be impaired and Mettler-Toledo GmbH assumes no liability.

2.1 Definition of signal words and warning symbols

Safety notes contain important information on safety issues. Ignoring the safety notes may lead to personal injury, damage to the instrument, malfunctions and false results. Safety notes are marked with the following signal words and warning symbols:

Signal words

DANGER	A hazardous situation with high risk, resulting in death or severe injury if not avoided.
WARNING	A hazardous situation with medium risk, possibly resulting in death or severe injury if not avoided.
CAUTION	A hazardous situation with low risk, resulting in minor or moderate injury if not avoided.
NOTICE	A hazardous situation with low risk, resulting in damage to the instrument, other material damage, malfunctions and erroneous results, or loss of data.

Warning symbols



General hazard



Notice

2.2 Product-specific safety notes

Intended use

This instrument is designed to be used by trained staff. The instrument is intended for weighing purposes.

Any other type of use and operation beyond the limits of use stated by Mettler-Toledo GmbH without consent from Mettler-Toledo GmbH is considered as not intended.

Responsibilities of the instrument owner

The instrument owner is the person holding the legal title to the instrument and who uses the instrument or authorizes any person to use it, or the person who is deemed by law to be the operator of the instrument. The instrument owner is responsible for the safety of all users of the instrument and third parties.

Mettler-Toledo GmbH assumes that the instrument owner trains users to safely use the instrument in their workplace and deal with potential hazards. Mettler-Toledo GmbH assumes that the instrument owner provides the necessary protective gear.

Safety notes



WARNING

Death or serious injury due to electric shock

Contact with parts that carry a live current can lead to death or injury.

- 1 Only use the METTLER TOLEDO power cable and AC/DC adapter designed for your instrument.
- 2 Connect the power cable to a grounded power outlet.
- 3 Keep all electrical cables and connections away from liquids and moisture.
- 4 Check the cables and the power plug for damage and replace them if damaged.



NOTICE

Damage to the instrument or malfunction due to the use of unsuitable parts

- Only use parts from METTLER TOLEDO that are intended to be used with your instrument.

A list of spare parts and accessories can be found in the Reference Manual.

3 Design and Function

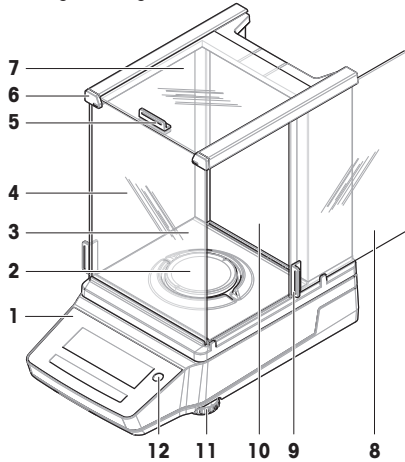


For further information, consult the Reference Manual (RM).

► www.mt.com/MA-RM

3.1 Overview analytical balances

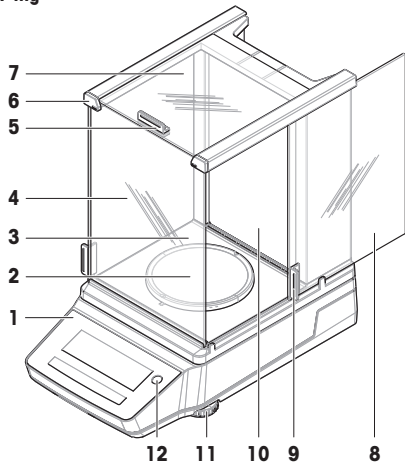
0.01 mg / 0.1 mg



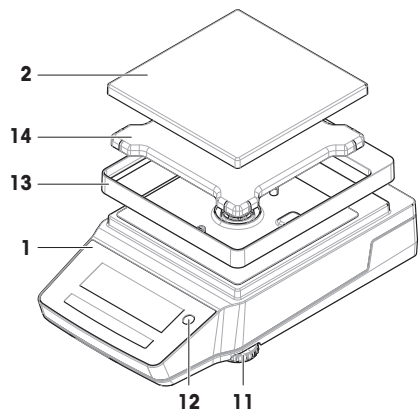
1	Terminal	7	Top door, draft shield
2	Weighing pan	8	Side door, draft shield (right/left)
3	Drip tray	9	Handle, side door
4	Front panel, draft shield	10	Back panel, draft shield
5	Handle, top door	11	Leveling feet
6	QuickLock, front panel	12	Level indicator

3.2 Overview precision balances, small

1 mg



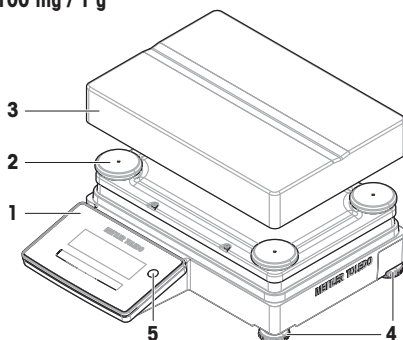
10 mg / 100 mg



1	Terminal	8	Side door, draft shield (right/left)
2	Weighing pan	9	Handle, side door
3	Drip tray	10	Back panel, draft shield
4	Front panel, draft shield	11	Leveling feet
5	Handle, top door	12	Level indicator
6	QuickLock, front panel	13	Draft-protection element
7	Top door, draft shield	14	Weighing pan support

3.3 Overview precision balances, large

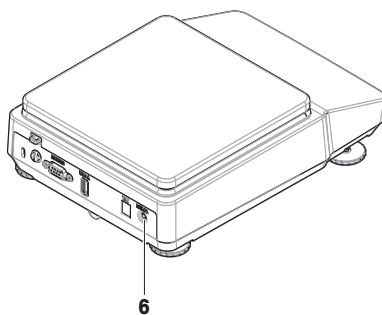
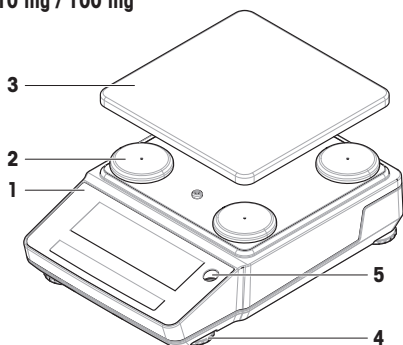
100 mg / 1 g



1	Terminal	4	Leveling feet
2	Weighing pan support cap	5	Level indicator
3	Weighing pan		

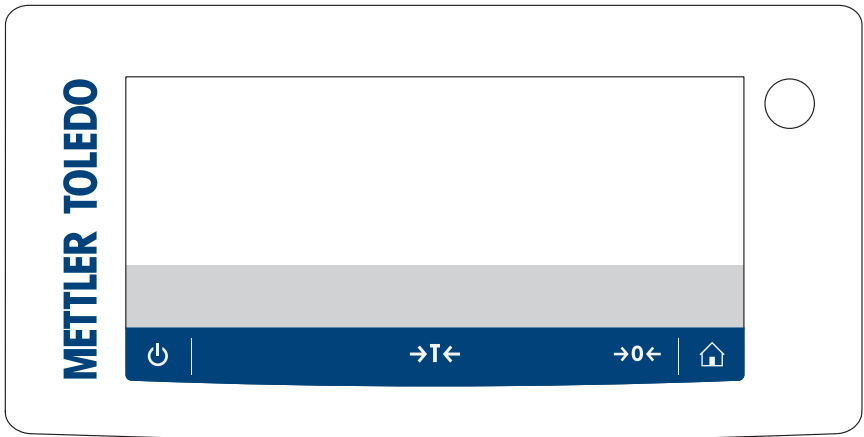
3.4 Overview precision balances, compact





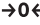

10 mg / 100 mg



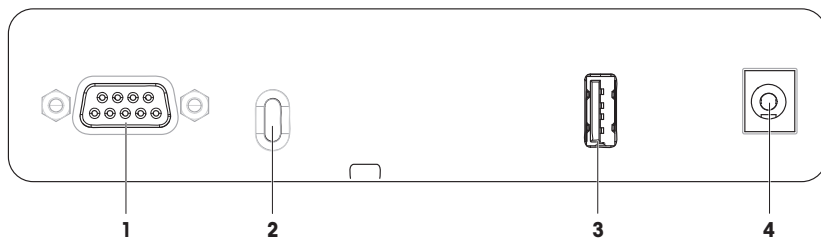
1	Terminal	4	Leveling feet
2	Weighing pan support cap	5	Level indicator
3	Weighing pan	6	Wake-up switch (battery mode)

3.5 Overview terminal



	Name	Description
	Standby	<p>By tapping , the balance is not completely switched off but goes into standby mode. To switch the balance completely off, it must be unplugged from the power supply.</p> <p>Note Do not disconnect the balance from the power supply unless the balance is not used for an extended period of time. After switching on the instrument, it must warm up before giving accurate results.</p> <p>Note Compact balances in battery mode only: By tapping , the balance is completely switched off. There is no standby mode.</p>
	Tare	<p>Tares the balance.</p> <p>This function is used when the weighing process involves containers. After taring the balance, the screen shows <i>Net</i> which indicates that all displayed weights are net.</p>
	Zero	<p>Zeroes the balance.</p> <p>The balance must always be zeroed before starting the weighing process. After zeroing, the balance sets a new zero point.</p>
	Home	<p>To return from any settings menu level to the main weighing screen of the currently set or last used application.</p>

3.6 Overview interface connections

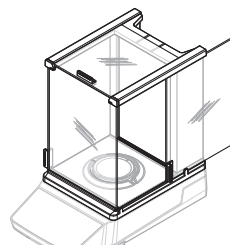


1	RS232C serial interface	3	USB-A port
2	Slot for anti-theft cable	4	Socket for AC/DC adapter

3.7 Components description

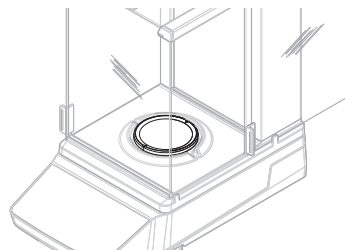
3.7.1 Draft shield

The draft shield protects the weighing area against environmental impacts like drafts or moisture. The side doors and the top door can be opened manually.



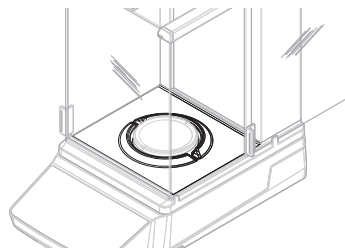
3.7.2 Weighing pan

The weighing pan is the load receptor that serves to accommodate the weighing item.



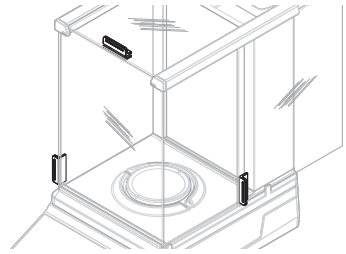
3.7.3 Drip tray

The drip tray is positioned below the weighing pan. The primary purpose of the drip tray is to ensure quick cleaning of the balance.



3.7.4 Door handle

The door handles are mounted on the draft shield doors. The handles are used to manually open the side doors and the top door of the draft shield.

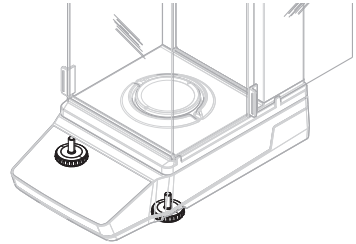


3.7.5 Leveling feet

The balance stands on height-adjustable feet. These feet are used to level the balance.

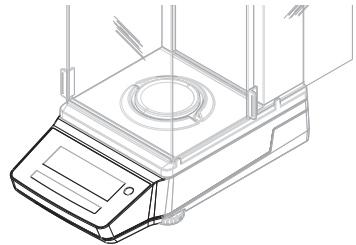
Note

Large balances and compact balances have four leveling feet.



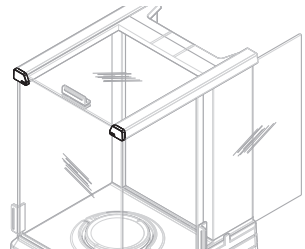
3.7.6 Terminal

The terminal is integrated into the balance and has an LCD display. The terminal and the weighing platform are protected by a replaceable cover.



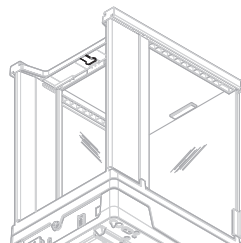
3.7.7 QuickLock for doors and front panel

Depending on the position, the QuickLock is used to lock/unlock the top door, the side doors, and the front panel of the draft shield.



3.7.8 Release button for back panel

The release button is used to lock/unlock the back panel of the draft shield.



3.8 User interface






3.8.1 Main sections at a glance

The main weighing screen (1) displays weighing results and provides feedback on the status of the balance. The operation keys (2) are the main navigation element where all the menus and settings can be accessed and selected.



	Name	Description
1	Main weighing screen	Displays the weighing results and provides information on the status of the balance.
2	Operation keys	Provides access to balance menus and functions.

Operation keys

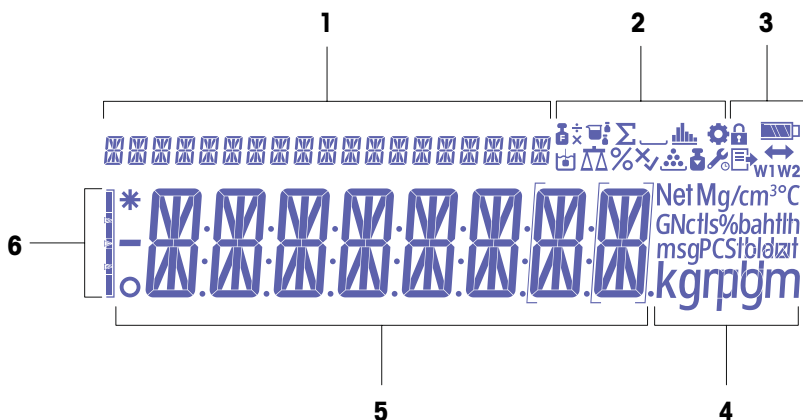
	Name	Description
	Settings	Accesses the settings menu.
	Applications	Accesses the applications menu.
	Previous / Up / Increase	<ul style="list-style-type: none"> Scrolls up in a list of topics. Changes between unit 1, unit 2, and the application unit (if available). Increases numbers. Adds a captured weight within an application.
	Next / Down / Decrease	<ul style="list-style-type: none"> Scrolls down in a list of topics. Changes between unit 1, unit 2, and the application unit (if available). Decreases numbers.
	Cancel	Cancels a task or leaves the menu without saving.

	Name	Description
✓	Accept	<ul style="list-style-type: none"> • Accesses the selected menu. • Starts the selected application. • Confirms the entry.
	Adjustment	Executes the predefined adjustment procedure.
	Print / Transfer	<ul style="list-style-type: none"> • Prints the displayed value. • Prints the settings of the active user menu. • Transfers data to the predefined target location.

See also

Main weighing screen ▶ Page 12









3.8.2 Main weighing screen















1	Coach text	4	Unit icons
2	Application icons	5	Weight value / menu label / parameter label / parameter value
3	Status icons	6	Weighing aid

Application icons

	Name	Description
	Application "Division factor weighing"	The application "Division factor weighing" divides a predefined factor by the weight value (in grams): result = factor / weight The result is rounded to a predefined number of decimal places.
	Application "Multiplication factor weighing"	The application "Multiplication factor weighing" multiplies the weight value (in grams) by a predefined factor: result = factor × weight The result is rounded to a predefined number of decimal places.

	Name	Description
	Application "Formulation"	The application "Formulation" (Net total) has several purposes. <ul style="list-style-type: none"> • Weigh in (add and store) up to 999 individual component weights and display the total. If a printer is connected, the component weights are printed individually and as a total. • Tare/pre-tare and store up to 999 container weights and display the total. If a printer is connected, the tare weights are printed individually and as a total. • Fill up the sum of all component net weight values by adding a further component to a higher value.
	Application "Totaling"	The application "Totaling" allows you to weigh in different samples to add their weight values and to totalize them. 1 to 999 samples are possible.
	Application "Statistics"	The application "Statistics" allows you to generate statistics of a series of weighing values. 1 to 999 values are possible.
	Application "Dynamic weighing"	The application "Dynamic weighing" allows you to determine the weights of unstable samples or to determine weights under unstable ambient conditions. The balance calculates the weight as the average of a number of weighing operations over a defined time.
	Application Density	The application Density allows you to determine the density of solid bodies and liquids. Determination of the density uses "Archimedes' principle" according to which a body immersed in a fluid undergoes an apparent loss in weight which is equal to the weight of the fluid it displaces.
	Application Weighing	The application Weighing is used for simple weighing tasks, or to perform a measurement series.
	Application Check weighing	The application Check weighing allows you to check the deviation of a sample weight within a tolerance limit to a reference target weight.
	Application Counting	The application Counting allows you to determine the number of pieces put on the weighing pan.

Status icons

	Name	Description
	Menu settings activated	Menu settings are activated and can be adapted.
	Menu settings blocked	Menu settings are locked and cannot be adapted.
	Internal adjustment started	The internal adjustment of the balance has started.
	Service reminder	The next service is due.
	Publishing	Data is being published.
	Status of battery charge	Compact balances only: Indicates the level of the battery charge. <ul style="list-style-type: none"> • : Battery full • : Battery 3/4 full • : Battery 1/2 full • : Battery 1/4 full • : Battery discharged
	Connectivity	Data connection to another device.

	Name	Description
W1	Weighing range 1	Weighing range 1 is active.
W2	Weighing range 2	Weighing range 2 is active.
Net	Net weight values	"Net" indicates that all weight values displayed are net values.
G	Gross weight values	Gross weight values are displayed.
M	Stored value (Memory)	A stored value from the memory of the balance is displayed.

Label Icons

	Name	Description
*	Calculated value	Indicates that the displayed value is calculated.
o	Unstable value	Indicates the displayed value is unstable, meaning that it changes over time.
{ }	Uncertified digits	Brackets indicate uncertified digits (approved balance models only).

4 Installation and Putting into Operation

4.1 Selecting the location

A balance is a sensitive precision instrument. The location where it is placed will have a profound effect on the accuracy of the weighing results.

Requirements of the location

Place indoors on stable table

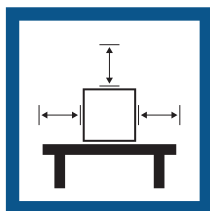
Ensure sufficient spacing

Level the instrument

Provide adequate lighting table



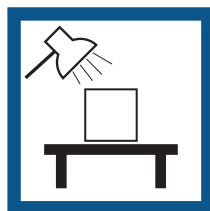
Avoid direct sunlight



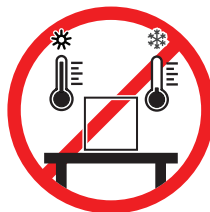
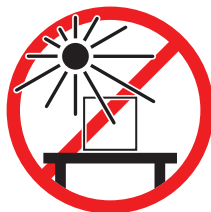
Avoid vibrations



Avoid strong drafts



Avoid temperature fluctuations



Take into account the environmental conditions. See "Technical Data".

Sufficient spacing for balances: > 15 cm all around the instrument

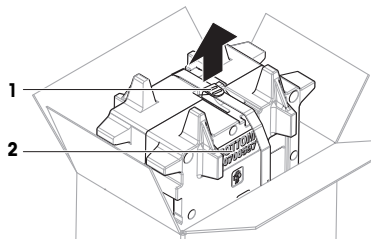
4.2 Unpacking the balance

Check the package, the packaging elements and the delivered components for damages. If any components are damaged, please contact your METTLER TOLEDO service representative.

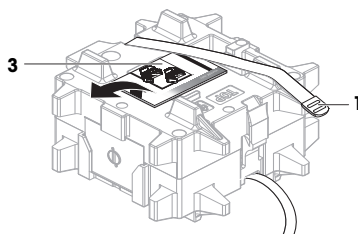
Note

Depending on the balance model, the packaging elements and the components may look different.

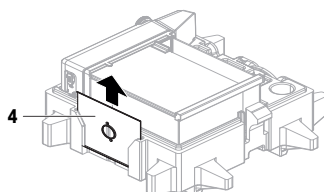
- 1 Open the box and lift the package out using the lifting strap (1).
- 2 Place the package on a level surface with the inscription **BOTTOM (2)** facing downwards.



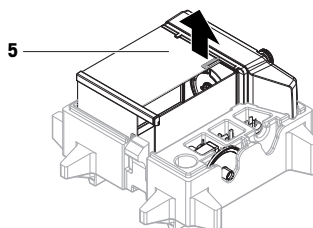
- 3 Open the lifting strap (1) and remove the User Manual (3).



- 4 Remove the upper part of the package and carefully unpack the drip tray (4).



- 5 Carefully unpack the balance (5) and all other items.
- 6 Remove the protective bag.
- 7 Keep the protective cover installed on the weighing platform and on the terminal.
- 8 Store all parts of the packaging in a safe place for future use.
 - ➔ The balance is ready for installation.



4.3 Installation

Note

Depending on the balance model, the components may look different.

4.3.1 Balances with draft shield



CAUTION

Injury due to sharp objects or broken glass

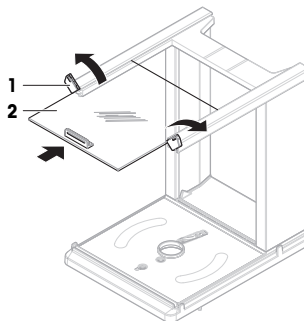
Instrument components, e.g., glass, can break and lead to injuries.

- Always proceed with focus and care.

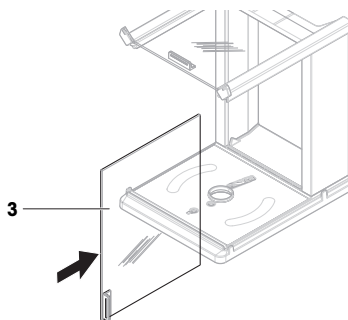
Note

Skip steps 1 – 5 when unpacking the balance for the first time, or if the draft shield is already assembled and mounted on the weighing platform.

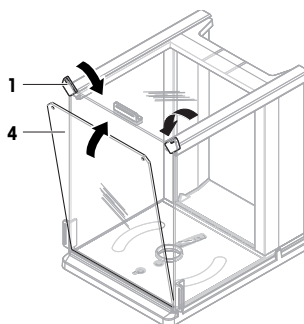
- 1 Assemble the draft shield: Turn the QuickLock (1, right, left) and slide in the top door (2).



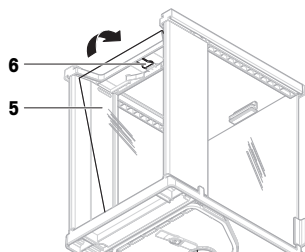
- 2 Slide in the side door (3) (right, left).



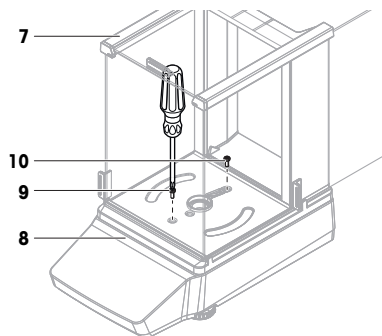
- 3 Attach the front panel (4), then turn the QuickLock (1, right, left) to hold the panel in place.



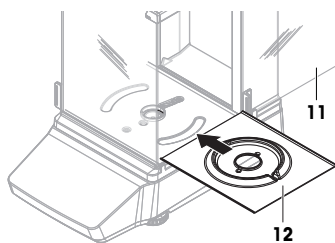
- 4 Attach the back panel (5). Make sure the release button (6) snaps in.



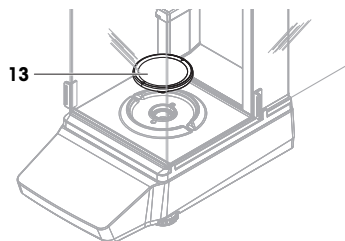
- 5 Secure the draft shield (7) to the weighing platform (8) by fixing the front screw (9) and the rear screw (10) with a Phillips screwdriver.



- 6 Fully open the side door (11)
7 Insert the drip tray (12).

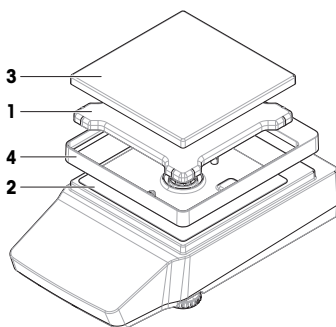


- 8 Install weighing pan (13).
➔ The balance is ready for use.



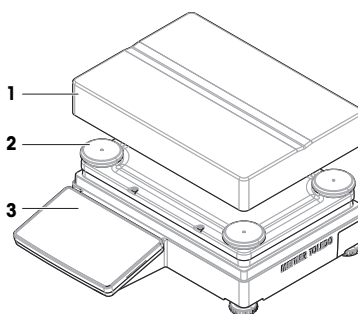
4.3.2 Balances without draft shield

- 1 Place the weighing pan support (1) on top of the weighing platform (2).
- Note**
To protect your balance, keep the protective cover installed on the weighing platform (2).
- 2 Place the weighing pan (3) on top of the weighing pan support (1).
- 3 Place the draft-protection element (4) on top of the weighing platform (2).
➔ The balance is ready for use.



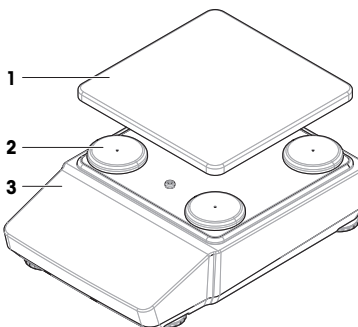
4.3.3 Balances, large

- Place the weighing pan (1) on top of the support caps (2).
- Note**
To protect your balance, keep the protective cover installed on the terminal (3).
- ➔ The balance is ready for use.



4.3.4 Balances, compact

- Place the weighing pan (1) on top of the support caps (2).
- Note**
To protect your balance, keep the protective cover installed on the weighing platform (3).
- ➔ The balance is ready for use.



4.4 Putting into operation

4.4.1 Connecting the balance



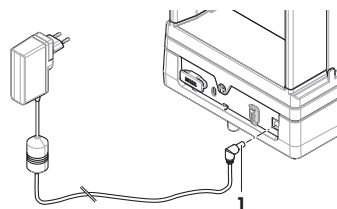
WARNING

Death or serious injury due to electric shock

Contact with parts that carry a live current can lead to death or injury.

- 1 Only use the METTLER TOLEDO power cable and AC/DC adapter designed for your instrument.
- 2 Connect the power cable to a grounded power outlet.
- 3 Keep all electrical cables and connections away from liquids and moisture.
- 4 Check the cables and the power plug for damage and replace them if damaged.

- 1 Install the cables in such a way that they cannot be damaged or interfere with operation.
- 2 Insert the plug of the AC/DC adapter (1) into the power socket of the instrument.
- 3 Insert the plug of the power cable into a grounded power outlet that is easily accessible.
 - ➔ The balance automatically switches on.



Note

Do not connect the instrument to a power outlet controlled by a switch. After switching on the instrument, it must warm up before giving accurate results.

See also

🔗 General data ▶ Page 30

4.4.2 Switching on the balance

When connected to the power supply, the balance automatically switches on.

Acclimatization and warm up

Before the balance gives reliable results, it must:

- acclimatize to the room temperature
- warm up by being connected to the power supply

The acclimatization time and warm-up time for balances are available in "General data".

Note

When the balance is exiting standby, it is ready immediately.

See also

🔗 General data ▶ Page 30

🔗 Entering / Exiting standby mode ▶ Page 22

🔗 Entering / Exiting hibernation mode ▶ Page 22

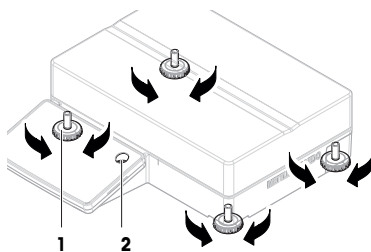
🔗 Switching off the balance ▶ Page 22

4.4.3 Leveling the balance

Exact horizontal and stable positioning are essential for repeatable and accurate weighing results.

4.4.3.1 Leveling large balances

- 1 Screw in all leveling feet fully.
- 2 Screw out all leveling feet two to three turns except for the rear left leveling foot.
- 3 Turn the leveling feet (1) until the air bubble is in the center of the level indicator (2). Proceed as shown in the following example.
- 4 Screw out the rear left leveling foot until it makes contact with the table surface.
 - ➔ The balance is leveled and supported by all four leveling feet.



Example

Air bubble at 12 o'clock:



- Turn both front feet clockwise.
- Turn rear right foot counterclockwise.

Air bubble at 3 o'clock:



- Turn left front foot clockwise, turn right front foot counterclockwise.
- Turn rear right foot counterclockwise.

Air bubble at 6 o'clock:

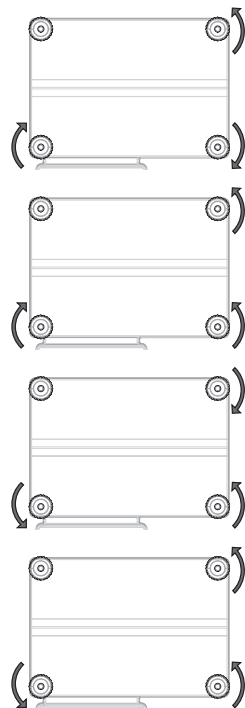


- Turn both front feet counterclockwise.
- Turn rear right foot clockwise.

Air bubble at 9 o'clock:

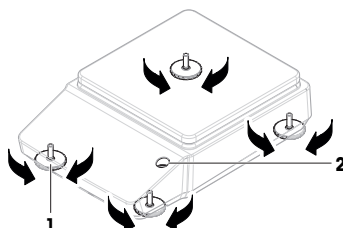


- Turn both front feet counterclockwise.
- Turn rear right foot counterclockwise.



4.4.3.2 Leveling compact balances

- 1 Screw in both rear leveling feet fully.
- 2 Screw out both front leveling feet two to three turns.
- 3 Turn the front leveling feet (1) until the air bubble is in the center of the level indicator (2). Proceed as shown in the following example.
- 4 Screw out both rear leveling feet until they make contact with the table surface.
 - ➔ The balance is leveled and supported by all four leveling feet.



Example

Air bubble at 12 o'clock:



Turn both feet clockwise.



Air bubble at 3 o'clock:



Turn left foot clockwise, turn right foot counterclockwise.



Air bubble at 6 o'clock:



Turn both feet counterclockwise.



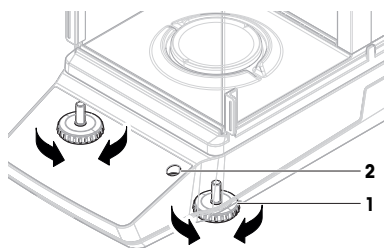
Air bubble at 9 o'clock:



Turn left foot counterclockwise, turn right foot clockwise.

**4.4.3.3 Leveling all other balances**

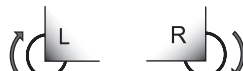
- Turn the leveling feet (1) until the air bubble is in the center of the level indicator (2).

**Example**

Air bubble at 12 o'clock:



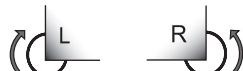
Turn both feet clockwise.



Air bubble at 3 o'clock:



Turn left foot clockwise, turn right foot counterclockwise.



Air bubble at 6 o'clock:



Turn both feet counterclockwise.



Air bubble at 9 o'clock:





Turn left foot counterclockwise, turn right foot clockwise.

**4.4.4 Performing an internal adjustment**

- 1 On the main weighing screen, press .
 - ➔ ADJ.INT appears.
- 2 Press .
 - ➔ The adjustment is executed.
 - ➔ The adjustment results appear.
- 3 Press .
 - ➔ The balance is ready.


4.4.5 Entering / Exiting standby mode

- 1 To enter standby mode, press  for less than 2 s.
 - ➔ The brightness of the display is reduced, information on the display is visible. The balance is still switched on.
- 2 To exit standby mode, press .
Alternatively, tap the weighing pan, or place a weight on the weighing pan.
 - ➔ The display is turned on.


4.4.6 Entering / Exiting hibernation mode

 **Note**

Only relevant for compact balances in battery mode.

- 1 To enter hibernation mode, press  for less than 2 s.
 - ➔ The display is turned off. The balance is in hibernation mode.
- 2 To exit hibernation mode, press the wake-up switch on the rear side of the balance.
 - ➔ The display is turned on.




4.4.7 Switching off the balance

To completely switch off the balance, it must be disconnected from the power supply. By pressing , the balance goes only into standby mode.

 **Note**

When the balance has been completely switched off for some time, it must warm up before it can be used.

See also

-  Switching on the balance ▶ Page 19
-  Entering / Exiting standby mode ▶ Page 22
-  Entering / Exiting hibernation mode ▶ Page 22

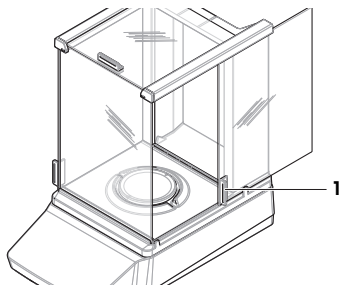
4.5 Performing a simple weighing

 **Note**


A balance with draft shield is used to explain the procedure. For balances without a draft shield, skip the instructions steps concerning the draft shield.

4.5.1 Opening and closing draft shield doors

- Open the door manually with the door handle (1).



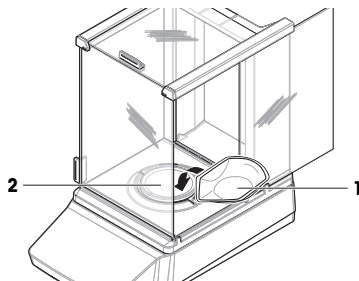
4.5.2 Zeroing the balance

- 1 Open the draft shield.
- 2 Clear the weighing pan.
- 3 Close the draft shield.
- 4 Press  to zero the balance.
 - ➔ The balance is zeroed.


4.5.3 Taring the balance

If a sample vessel is used, the balance must be tared.

- The balance is zeroed.
- 1 Place the sample vessel (1) on the weighing pan (2).
 - 2 Press →T← to tare the balance.
 - ⇒ The balance is tared. The icon **Net** appears.



4.5.4 Performing a weighing

- 1 Open the draft shield.
- 2 Place the weighing object into the sample vessel.
- 3 Close the draft shield.
- 4 Wait until the instability detector **O** disappears.
 - ⇒ The result is displayed.
- 5 Optional, if a printer is connected: Press  to print the weighing result.

4.6 Using batteries (compact balance)

The balance can also be operated with batteries. Under normal operating conditions, the balance runs independently of the AC power supply for about 8 to 15 hours (using alkaline batteries).


Immediately after an interruption of the AC power supply, the balance automatically switches to battery operation. This can happen, for example, by pulling the power plug, or in the event of a power failure. After the AC power supply is restored, the balance automatically switches back to AC operation.

The balance uses eight standard AA batteries (LR6). Alkaline batteries are preferred.

Rechargeable batteries can be used. Charging batteries inside the balance is **not** possible.

When the balance is operated with batteries, the battery symbol in the display lights up. The number of segments that are shown in the battery symbol indicate the charge level. When the batteries are almost completely discharged, the battery symbol flashes.

See also

 Main weighing screen ▶ Page 12

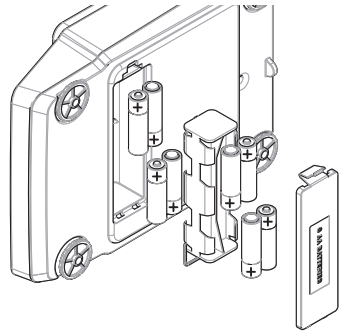
4.6.1 Inserting or replacing batteries

- Read and follow all warnings and instructions supplied by the battery manufacturer.
- Do not mix different types or brands of batteries. Performance of batteries varies depending on the manufacturer.
- Remove the batteries from the balance if the balance is not used for a long period of time.
- Batteries must be disposed of properly, according to local regulations.

Proceed as follows:

- The balance is switched off.
 - The weighing pan is removed.
- 1 Turn the balance carefully on its side.

- 2 Open and remove the battery-chamber cover.
- 3 Insert / replace the batteries with the correct polarity as shown in the battery holder.
- 4 Insert and close the battery-chamber cover.
- 5 Turn the balance carefully to its normal position.
- 6 Reinstall all components in the reverse order.



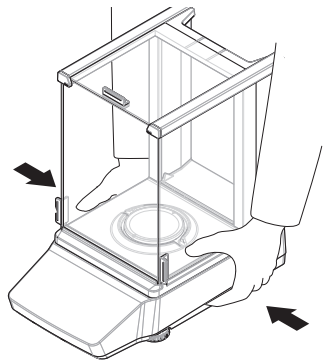
4.7 Transporting, packing, and storing

4.7.1 Transporting the balance over short distances

- 1 Disconnect the AC/DC adapter and unplug all interface cables.
- 2 Hold the balance with both hands and carry it in horizontal position to the target location. Consider the requirements of the location.

If you want to put the balance into operation, proceed as follows:

- 1 Connect in reverse order.
- 2 Give the balance sufficient time to warm up.
- 3 Level the balance.
- 4 Perform an internal adjustment.



See also

- 🔗 Selecting the location ▶ Page 14
- 🔗 Switching on the balance ▶ Page 19
- 🔗 Leveling the balance ▶ Page 19
- 🔗 Performing an internal adjustment ▶ Page 21

4.7.2 Transporting the balance over long distances

METTLER TOLEDO recommends using the original packaging for transportation or shipment of the balance or balance components over long distances. The elements of the original packaging are developed specifically for the balance and its components and ensure maximum protection during transportation.

See also

- 🔗 Unpacking the balance ▶ Page 15

4.7.3 Packing and storing

Packing the balance

Store all parts of packaging in a safe place. The elements of the original packaging are developed specifically for the balance and its components, and ensures maximum protection during transportation and storage.

Storing the balance

Only store the balance under the following conditions:

- Indoor and in the original packaging

- According to the environmental conditions, see "Technical Data"

Note

When storing for longer than 6 months, the rechargeable battery may become empty (only date and time get lost).

See also

 Technical Data ▶ Page 30

5 Maintenance

To guarantee the functionality of the balance and the accuracy of the weighing results, a number of maintenance actions must be performed by the user.



For further information, consult the Reference Manual (RM).

www.mt.com/MA-RM

5.1 Maintenance tasks

Maintenance action	Recommended interval	Remarks
Performing an internal adjustment	<ul style="list-style-type: none"> • Daily • After cleaning • After leveling • After changing the location 	see "Performing an internal adjustment"
Performing routine tests (eccentricity test, repeatability test, sensitivity test). METTLER TOLEDO recommends to at least perform a sensitivity test.	<ul style="list-style-type: none"> • After cleaning • After assembling the balance • After a software update • Depending on your internal regulations (SOP) 	see "Tests" in the Reference Manual
Cleaning	<ul style="list-style-type: none"> • After every use • Depending on the degree of pollution • Depending on your internal regulations (SOP) 	see "Cleaning"
Updating the software	<ul style="list-style-type: none"> • Depending on your internal regulations (SOP). • After a new software release. 	see "Software update" in the Reference Manual

See also

 Performing an internal adjustment ▶ Page 21

 Cleaning ▶ Page 25

5.2 Cleaning

5.2.1 Disassembling for cleaning

Note

Depending on the balance model, the components may look different.

Note

In most cases, it is not necessary to remove the protective cover to clean the balance.

5.2.1.1 Balances with draft shield



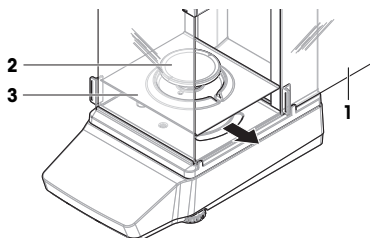
CAUTION

Injury due to sharp objects or broken glass

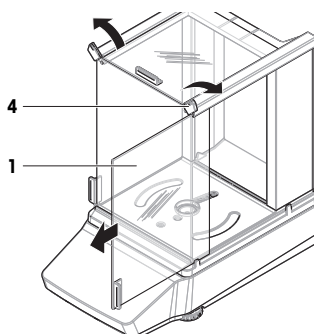
Instrument components, e.g., glass, can break and lead to injuries.

- Always proceed with focus and care.

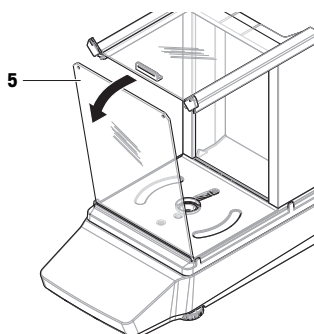
- 1 Fully open the side door (1).
- 2 Remove the weighing pan (2) and the drip tray (3).



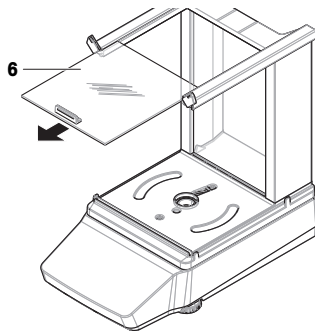
- 3 Turn the quick lock (4) and pull the side door (1) towards the front to remove it (right, left).



- 4 Tilt the front panel (5) towards the front and lift it upwards to remove it.



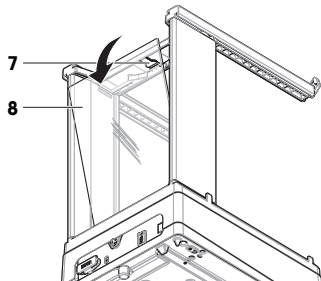
- 5 Pull the top door (6) towards the front to remove it.



- 6 Press the release button (7) and tilt the back panel (8) to remove it.

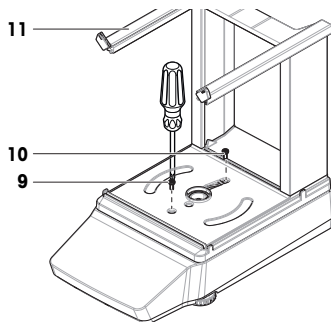
Note

Optional, if required: Remove the protective cover for cleaning as described below.

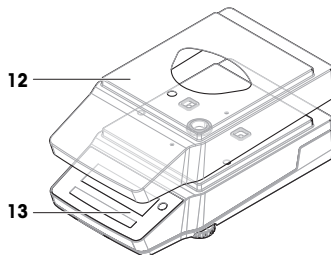


- 7 Remove the front screw (9) and the rear screw (10) with a Phillips screwdriver.

- 8 Remove the draft shield (11).



- 9 Remove the protective cover (12) from the weighing platform (13).

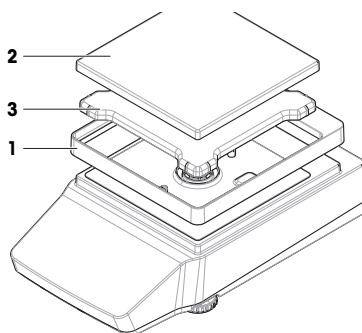


5.2.1.2 Balances without draft shield

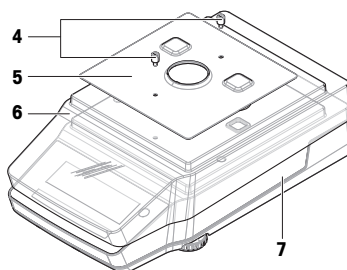
- 1 Remove the draft-protection element (1).
- 2 Remove the weighing pan (2).
- 3 Remove the weighing pan support (3).

Note

Optional, if required: Remove the protective cover for cleaning as described below.

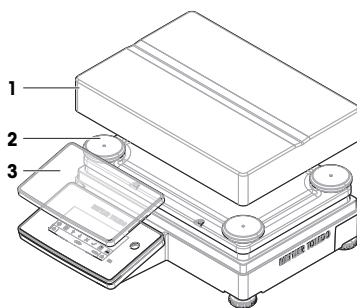


- 4 Remove the screws (4) to remove the EMC plate (5).
- 5 Remove the protective cover (6) from the weighing platform (7).



5.2.1.3 Balances, large

- 1 Remove the weighing pan (1).
- 2 Remove the support caps (2).
- 3 Optional, if required: Remove the protective cover (3) for cleaning.

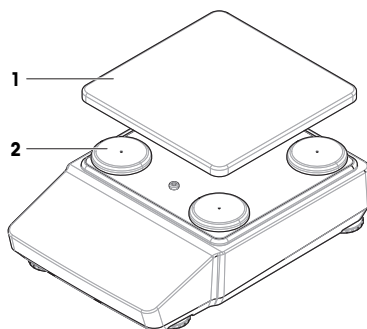


5.2.1.4 Balances, compact

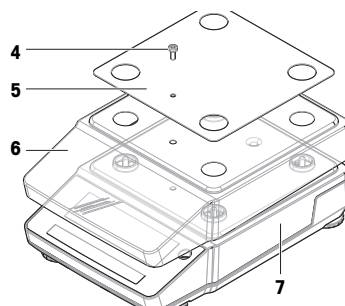
- 1 Remove the weighing pan (1).
- 2 Remove the support caps (2).

Note

Optional, if required: Remove the protective cover for cleaning as described below.



- 3 Remove the screw (4) to remove the EMC plate (5).
- 4 Remove the protective cover (6) from the weighing platform (7).



5.2.2 Cleaning the balance



NOTICE

Damage to the instrument due to inappropriate cleaning methods

If liquid enters the housing, it can damage the instrument. The surface of the instrument can be damaged by certain cleaning agents, solvents, or abrasives.

- 1 Do not spray or pour liquid on the instrument.
- 2 Only use the cleaning agents specified in the Reference Manual (RM) of the instrument or the guide "8 Steps to a Clean Balance".
- 3 Only use a lightly moistened, lint-free cloth or a tissue to clean the instrument.
- 4 Wipe off any spills immediately.



For further information on cleaning a balance, consult "8 Steps to a Clean Balance".

► www.mt.com/lab-cleaning-guide

Cleaning around the balance

- Remove any dirt or dust around the balance and avoid further contaminations.

Cleaning the terminal

- Clean the terminal with a damp cloth or a tissue and a mild cleaning agent.

Cleaning the removable parts

- Clean the removed part with a damp cloth or a tissue and a mild cleaning agent or clean in a dishwasher up to 80 °C.

Cleaning the weighing unit

- 1 Disconnect the balance from the AC/DC adapter.
- 2 Use a lint-free cloth moistened with a mild cleaning agent to clean the surface of the balance.
- 3 Remove powder or dust with a disposable tissue first.
- 4 Remove sticky substances with a damp lint-free cloth and a mild solvent, e.g., isopropanol or ethanol 70%.

5.2.3 Putting into operation after cleaning

- 1 Reassemble the balance.
- 2 Check that the draft shield doors (top, sides) open and close normally (if applicable).
- 3 Reconnect the balance to the AC/DC adapter.
- 4 Check the level status, level the balance if necessary.
- 5 Respect the warm-up time specified in the "Technical Data".
- 6 Perform an internal adjustment.
- 7 Perform a routine test according to the internal regulations of your company. METTLER TOLEDO recommends performing a sensitivity test after cleaning the balance.
- 8 Press **→0←** to zero the balance.
 - ➔ The balance is ready for use.

See also

- 🔗 Leveling the balance ▶ Page 19
- 🔗 Technical Data ▶ Page 30
- 🔗 Performing an internal adjustment ▶ Page 21


5.3 Service

Regular servicing by an authorized service technician ensures reliability for years to come. Contact your METTLER TOLEDO representative for details about the available service options.


6 Technical Data

6.1 General data

Power supply

AC/DC adapter:	Input: 100 – 240 V AC ± 10%, 50 – 60 Hz, 0.5 A Output: 12 V DC, 1 A, LPS
Balance power consumption:	12 V DC ± 10%, 0.5 A
Polarity:	

Power supply (optional)

AC/DC adapter:	Input: 100 – 240 V AC ± 10%, 50 – 60 Hz, 0.8 A, 61 – 80 VA Output: 12 V DC, 2.5 A, LPS
Cable for AC/DC adapter:	3-core, with country-specific plug
Balance power consumption:	12 V DC ± 10%, 0.5 A
Polarity:	

Protection and standards

Overvoltage category:	II
-----------------------	----

Degree of pollution:	2
Ingress protection code:	IP43 (precision balances only)

Note

Stated IP is only achieved when the balance is ready for operation. The protective cover must be installed, and the caps must cover the interface connections.

Standards for safety and EMC:	See Declaration of Conformity
Range of application:	Use only indoors in dry locations

Environmental conditions

The limit values apply when the balance is used under the following environmental conditions:

Height above mean sea level:	Up to 5000 m
Ambient temperature:	+10 – +30 °C
Temperature change, max.:	5 °C/h
Relative humidity:	30 – 70%, non-condensing
Acclimatization time:	Recommendation: Up to 4 hours for precision balances, or up to 8 hours for analytical balances. These values apply after placing the balance in the same location where it will be put into operation.

Note

The acclimatization time depends on the readability of the balance, and on the environmental conditions.

Warm-up time:	At least 30 minutes for precision balances, or 60 minutes for analytical balances. These values apply after connecting the balance to the power supply. When switched on from standby, the balance is ready for operation immediately.
---------------	--

The balance can be used under the following environmental conditions. However, the weighing performances of the balance may be outside the limit values:

Ambient temperature:	+5 °C – +40 °C
Relative humidity:	20% to max. 80% at 31 °C, decreasing linearly to 50% at 40 °C, non-condensing

The balance can be disconnected and stored in its packaging under the following conditions:

Ambient temperature:	-25 – +70 °C
Relative humidity:	10 – 90%, non-condensing

7 Disposal

In conformance with the European Directive 2012/19/EU on Waste Electrical and Electronic Equipment (WEEE) this device may not be disposed of in domestic waste. This also applies to countries outside the EU, per their specific requirements.

Please dispose of this product in accordance with local regulations at the collecting point specified for electrical and electronic equipment. If you have any questions, please contact the responsible authority or the distributor from which you purchased this device. Should this device be passed on to other parties, the content of this regulation must also be related.



8 Compliance Information

National approval documents, e.g., the FCC Supplier Declaration of Conformity, are available online and/or included in the packaging.

► www.mt.com/ComplianceSearch



For further information, consult the Reference Manual (RM).

► www.mt.com/MA-RM

1	Einleitung	3
1.1	Zweck des Dokuments	3
1.2	Weitere Dokumente und Informationen	3
1.3	Akronyme und Abkürzungen	3
2	Sicherheitshinweise	4
2.1	Definition von Signalwörtern und Warnsymbolen	4
2.2	Produktspezifische Sicherheitshinweise	5
3	Aufbau und Funktion	5
3.1	Übersicht der Analysenwaagen	6
3.2	Übersicht der Präzisionswaagen, klein	6
3.3	Übersicht der Präzisionswaagen, gross	7
3.4	Übersicht der Präzisionswaagen, kompakt	7
3.5	Übersicht Terminal	8
3.6	Übersicht der Schnittstellenanschlüsse	9
3.7	Komponentenbeschreibung	9
3.7.1	Windschutz	9
3.7.2	Waagschale	9
3.7.3	Auffangschale	9
3.7.4	Türgriff	10
3.7.5	Nivellierfüsse	10
3.7.6	Terminal	10
3.7.7	QuickLock für Türen und Frontplatte	10
3.7.8	Entriegelungsknopf für Rückplatte	11
3.8	Benutzeroberfläche	11
3.8.1	Die wichtigsten Menübereiche auf einen Blick	11
3.8.2	Hauptbildschirm der Waage	12
4	Installation und Inbetriebnahme	14
4.1	Wahl des Aufstellortes	14
4.2	Waage auspacken	15
4.3	Installation	16
4.3.1	Waagen mit Windschutz	16
4.3.2	Waagen ohne Windschutz	18
4.3.3	Waagen, gross	18
4.3.4	Waagen, kompakt	18
4.4	Inbetriebnahme	19
4.4.1	Anschliessen der Waage	19
4.4.2	Einschalten der Waage	19
4.4.3	Nivellieren der Waage	19
4.4.3.1	Nivellieren von grossen Waagen	20
4.4.3.2	Nivellieren von Kompaktwaagen	20
4.4.3.3	Nivellieren aller anderen Waagen	21
4.4.4	Durchführen einer internen Justierung	21
4.4.5	Standby-Modus aktivieren/beenden	22
4.4.6	Ruhemodus aufrufen/beenden	22
4.4.7	Ausschalten der Waage	22
4.5	Durchführen eines einfachen Wägevorgangs	22
4.5.1	Öffnen und Schliessen der Windschutztüren	22
4.5.2	Nullstellen der Waage	22
4.5.3	Tarieren der Waage	23
4.5.4	Durchführen einer Wägung	23

4.6	Verwendung von Batterien (Kompaktwaage)	23
4.6.1	Batterien einlegen oder austauschen	23
4.7	Transport, Verpackung und Lagerung	24
4.7.1	Transport der Waage über kurze Strecken	24
4.7.2	Transport der Waage über weite Strecken.....	24
4.7.3	Verpackung und Lagerung	25
5	Wartung	25
5.1	Wartungsaufgaben.....	25
5.2	Reinigung	26
5.2.1	Demontage zur Reinigung	26
5.2.1.1	Waagen mit Windschutz	26
5.2.1.2	Waagen ohne Windschutz.....	28
5.2.1.3	Waagen, gross.....	28
5.2.1.4	Waagen, kompakt	29
5.2.2	Reinigung der Waage.....	29
5.2.3	Inbetriebnahme nach Reinigung	30
5.3	Service.....	30
6	Technische Daten	30
6.1	Allgemeine Daten	30
7	Entsorgung	31
8	Informationen zur Konformität	32

1 Einleitung

Vielen Dank, dass Sie sich für eine METTLER TOLEDO-Waage entschieden haben. Die Waage kombiniert Hochleistung mit einfacher Bedienung.

EULA

Die Software in diesem Produkt ist unter der Endbenutzer-Lizenzvereinbarung (EULA) für Software von METTLER TOLEDO lizenziert.

Wenn Sie dieses Produkt verwenden, stimmen Sie den Bedingungen gemäss EULA zu.

► www.mt.com/EULA

1.1 Zweck des Dokuments

Dieses Benutzerhandbuch enthält eine kurze Anleitung zu den ersten Schritten, die mit dem Gerät durchzuführen sind. Dies gewährleistet eine sichere und effiziente Handhabung. Das Personal muss dieses Handbuch sorgfältig gelesen und verstanden haben, bevor es Aufgaben ausführen darf.

1.2 Weitere Dokumente und Informationen

Dieses Dokument ist online in anderen Sprachen verfügbar.



► www.mt.com/MA-UM

Produkseite:

► www.mt.com/MA-balances

Anleitung zur Reinigung einer Waage, "8 Steps to a Clean Balance":

► www.mt.com/lab-cleaning-guide

Suche nach Software:

► www.mt.com/labweighing-software-download

Suche nach Dokumenten:

► www.mt.com/library

Wenden Sie sich bei weiteren Fragen an Ihren autorisierten METTLER TOLEDO Händler oder Servicevertreter.

► www.mt.com/contact

1.3 Akronyme und Abkürzungen

Originalbegriff	Übersetzter Begriff	Erklärung
AC		Alternating Current (Wechselspannung)
ASTM		American Society for Testing and Materials
DC		Direct Current (Gleichspannung)
EMC	EMV	Electromagnetic Compatibility (Elektromagnetische Verträglichkeit)
FCC		Federal Communications Commission
GWP		Good Weighing Practice
HID		Human Interaction Device
ID		Identification (Kennzeichnung)

IP	Ingress Protection
LAN	Local Area Network (Lokales Netzwerk)
LED	Light-Emitting Diode (Lichtemittierende Diode)
LPS	Limited Power Source (Begrenzte Energieversorgung)
MAC	Media Access Control (Medienzugriffssteuerung)
MT-SICS	METTLER TOLEDO Standard Interface Command Set
NA	Not Applicable (Nicht zutreffend)
OIML	Organisation Internationale de Métrologie Légale (Internationale Organisation für das gesetzliche Messwesen)
RAM	Random Access Memory (Arbeitsspeicher)
RM	Reference Manual (Referenzhandbuch)
SOP	Standard Operating Procedure
UM	User Manual (Benutzerhandbuch)
USB	Universal Serial Bus
USP	United States Pharmacopeia

2 Sicherheitshinweise

Für dieses Instrument sind zwei Dokumente verfügbar, das "Benutzerhandbuch" und das "Referenzhandbuch".

- Das Benutzerhandbuch ist in verschiedenen Sprachen online verfügbar.
- Im Lieferumfang des Instruments ist eine Druckversion des Benutzerhandbuchs enthalten.
- Das Referenzhandbuch ist online verfügbar. Das vorliegende Handbuch enthält eine vollständige Beschreibung dieses Instruments und seiner Verwendung.
- Heben Sie beide Dokumente zur späteren Verwendung auf.
- Legen Sie beide Dokumente bei, wenn Sie das Instrument anderen zur Verfügung stellen.

Verwenden Sie das Instrument stets so, wie im Benutzerhandbuch und dem Referenzhandbuch beschrieben. Wenn das Instrument nicht gemäss dieser beiden Dokumente verwendet oder wenn es modifiziert wird, kann dies die Sicherheit des Instruments beeinträchtigen und Mettler-Toledo GmbH übernimmt keine Haftung.

2.1 Definition von Signalwörtern und Warnsymbolen

Sicherheitshinweise enthalten wichtige Informationen über Sicherheitsrisiken. Die Missachtung der Sicherheitshinweise kann zu persönlicher Gefährdung, Beschädigung des Geräts, Fehlfunktionen und falschen Ergebnissen führen. Sicherheitshinweise sind mit den folgenden Signalwörtern und Warnsymbolen gekennzeichnet:

Signalwörter

GEFAHR	Bezeichnet eine Gefährdung mit hohem Risikograd, die den Tod oder eine schwere Verletzung zur Folge hat, wenn sie nicht vermieden wird.
WARNUNG	Bezeichnet eine Gefährdung mit mittlerem Risikograd, die den Tod oder eine schwere Verletzung zur Folge haben kann, wenn sie nicht vermieden wird.
VORSICHT	Bezeichnet eine Gefährdung mit niedrigem Risikograd, die eine geringfügige oder mässige Verletzung zur Folge haben kann, wenn sie nicht vermieden wird.

HINWEIS

Bezeichnet eine Gefährdung mit geringem Risikograd, die zu Schäden am Instrument, anderen Materialschäden, Funktionsstörungen und fehlerhaften Resultaten oder Datenverlust führen kann.

Warnzeichen



Allgemeine Gefahr



Hinweis

2.2 Produktspezifische Sicherheitshinweise

Bestimmungsgemässe Verwendung

Dieses Gerät wurde dafür entwickelt, von geschultem Personal verwendet zu werden. Das Gerät ist für Wägezwecke vorgesehen.

Jegliche anderweitige Verwendung, die über die Grenzen der technischen Spezifikationen der Mettler-Toledo GmbH hinausgeht, gilt ohne schriftliche Absprache mit der Mettler-Toledo GmbH als nicht bestimmungsgemäss.

Verantwortlichkeiten des Gerätebesitzers

Der Besitzer des Instruments ist die Person, die den Rechtsanspruch auf das Instrument hat und die das Instrument benutzt oder eine Person befugt, es zu benutzen, oder die Person, die per Gesetz dazu bestimmt wird, das Instrument zu bedienen. Der Besitzer des Instruments ist für die Sicherheit von allen Benutzern des Instruments und von Dritten verantwortlich.

Mettler-Toledo GmbH geht davon aus, dass der Besitzer des Instruments die Benutzer darin schult, das Instrument sicher an ihrem Arbeitsplatz zu benutzen und mit potentiellen Gefahren umzugehen. Mettler-Toledo GmbH geht davon aus, dass der Besitzer des Instruments für die notwendigen Schutzvorrichtungen sorgt.

Sicherheitshinweise



WARNUNG

Es besteht Lebensgefahr oder die Gefahr schwerer Verletzungen durch Stromschlag

Der Kontakt mit spannungsführenden Teilen kann zum Tod oder zu Verletzungen führen.

- 1 Verwenden Sie ausschließlich das Stromversorgungskabel und das AC/DC-Netzteil von METTLER TOLEDO, das gezielt für Ihr Instrument ausgelegt wurde.
- 2 Stecken Sie das Stromversorgungskabel in eine geerdete Steckdose.
- 3 Halten Sie alle elektrischen Kabel und Anschlüsse von Flüssigkeiten und Feuchtigkeit fern.
- 4 Überprüfen Sie die Kabel und den Netzstecker vor der Verwendung auf Beschädigungen und tauschen Sie diese bei Beschädigung aus.



HINWEIS

Beschädigung des Gerätes oder Fehlfunktion durch den Einsatz nicht geeigneter Teile

- Verwenden Sie nur Teile von METTLER TOLEDO, die für die Verwendung mit Ihrem Gerät bestimmt sind.

Eine Ersatzteil- und Zubehörliste ist im Referenzhandbuch enthalten.

3 Aufbau und Funktion

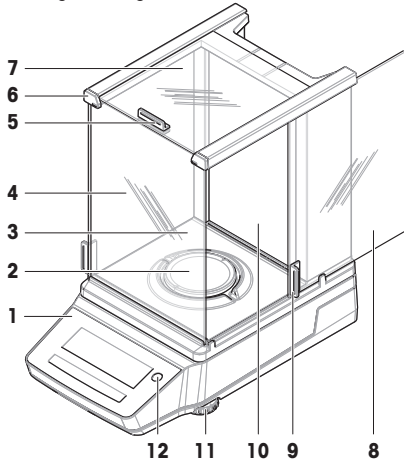


Ausführlichere Informationen finden Sie im Referenzhandbuch (RM).

▶ www.mt.com/MA-RM

3.1 Übersicht der Analysenwaagen

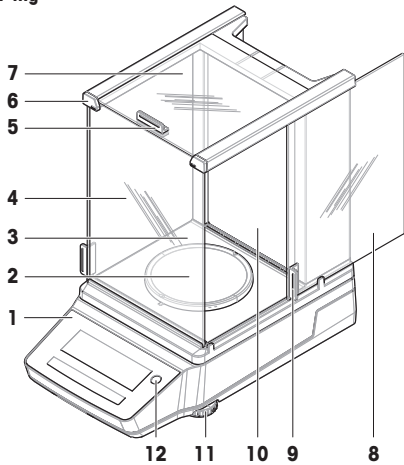
0.01 mg / 0.1 mg



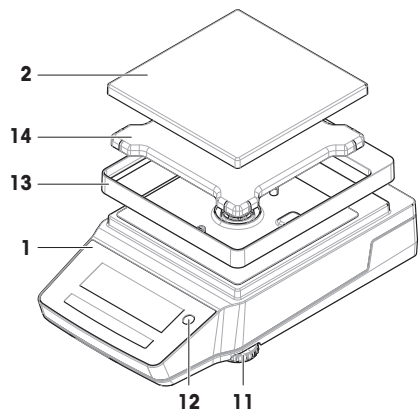
1	Terminal	7	Obere Tür, Windschutz
2	Waagschale	8	Seitentür, Windschutz (rechts/links)
3	Auffangschale	9	Griff, Seitentür
4	Frontplatte, Windschutz	10	Rückplatte, Windschutz
5	Griff, obere Tür	11	Nivellierfüsse
6	QuickLock, Frontplatte	12	Libelle

3.2 Übersicht der Präzisionswaagen, klein

1 mg



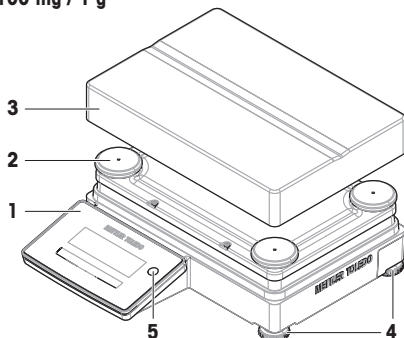
10 mg / 100 mg



1	Terminal	8	Seitentür, Windschutz (rechts/links)
2	Waagschale	9	Griff, Seitentür
3	Auffangschale	10	Rückplatte, Windschutz
4	Frontplatte, Windschutz	11	Nivellierfüsse
5	Griff, obere Tür	12	Libelle
6	QuickLock, Frontplatte	13	Windschutzelement
7	Obere Tür, Windschutz	14	Waagschalenträger

3.3 Übersicht der Präzisionswaagen, gross

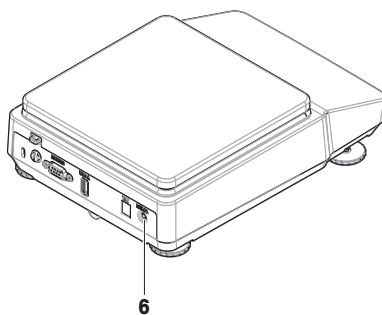
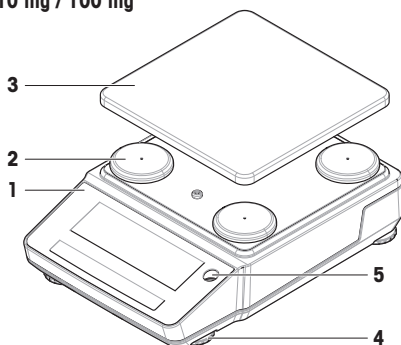
100 mg / 1 g



1	Terminal	4	Nivellierfüsse
2	Waagschalenträgerkappe	5	Libelle
3	Waagschale		

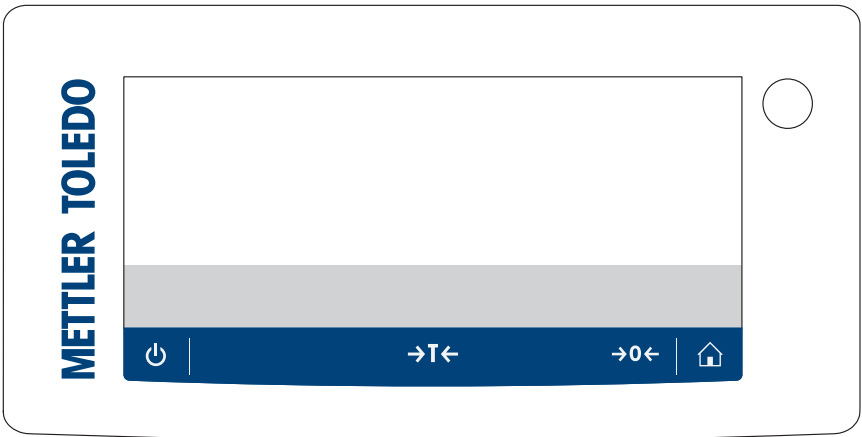
3.4 Übersicht der Präzisionswaagen, kompakt





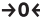

10 mg / 100 mg



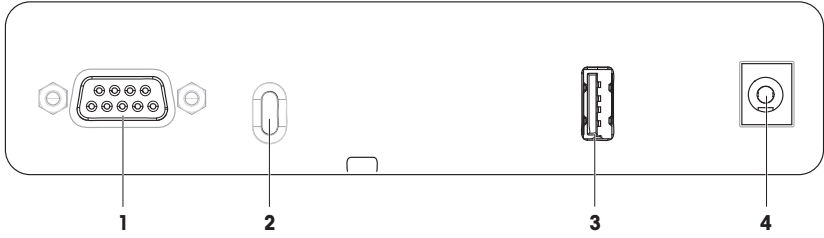
1	Terminal	4	Nivellierfüsse
2	Waagschalenträgerkappe	5	Libelle
3	Waagschale	6	Weckerschalter (Batteriebetrieb)

3.5 Übersicht Terminal



	Name	Beschreibung
	Standby	<p>Durch Antippen von  wird die Waage nicht komplett ausgeschaltet, sondern in den Standby-Modus umgeschaltet. Um die Waage vollständig auszuschalten, muss diese von der Stromversorgung getrennt werden.</p> <p>Hinweis Trennen Sie die Waage nur von der Stromversorgung, wenn Sie für längere Zeit nicht damit arbeiten. Nach dem Einschalten des Gerätes muss dieses zunächst aufwärmen, bevor genaue Resultate angezeigt werden.</p> <p>Hinweis Kompaktwaagen nur im Batteriebetrieb: Durch Antippen von  wird die Waage vollständig ausgeschaltet. Es gibt keinen Standby-Modus.</p>
	Tarieren	<p>Tariert die Waage.</p> <p>Diese Funktion wird verwendet, wenn für den Wägeprozess Behälter benötigt werden. Nach dem Tarieren der Waage wird auf dem Bildschirm N_{net} angezeigt, was bedeutet, dass alle angezeigten Werte Nettowerte sind.</p>
	Null	<p>Stellt die Waage auf null.</p> <p>Vor Beginn des Wägeprozesses muss die Waage immer auf null gestellt werden. Nach der Nullstellung wird von der Waage ein neuer Nullpunkt eingestellt.</p>
	Home	<p>Um von einer beliebigen Ebene des Einstellungsmenüs zum Hauptbildschirm der aktuell eingestellten oder zuletzt verwendeten Anwendung zurückzukehren.</p>

3.6 Übersicht der Schnittstellenanschlüsse

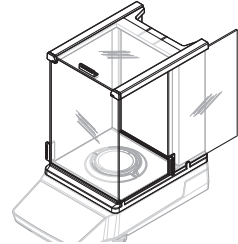


1	RS232C, serielle Schnittstelle	3	USB-A-Anschluss
2	Steckplatz für Diebstahlsicherungskabel	4	Anschluss für Netzadapter

3.7 Komponentenbeschreibung

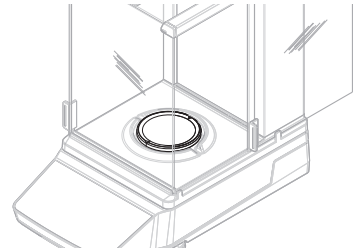
3.7.1 Windschutz

Der Windschutz schirmt den Wägebereich zuverlässig vor Umwelteinflüssen wie Zugluft oder Feuchtigkeit ab. Die Seitentüren und die obere Tür können manuell geöffnet werden.



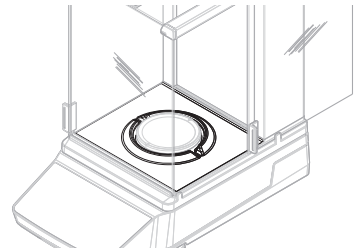
3.7.2 Waagschale

Die Waagschale ist der Lastaufnehmer, der zur Aufnahme des Wägegutes dient.



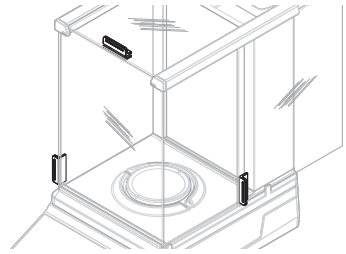
3.7.3 Auffangschale

Die Auffangschale befindet sich unterhalb der Waagschale. Der Hauptzweck der Auffangschale ist die Sicherstellung einer schnellen Reinigung der Waage.



3.7.4 Türgriff

Die Türgriffe sind an den Windschutztüren angebracht. Die Griffe dienen zum manuellen Öffnen der Seitentüren und der oberen Tür des Windschutzes.

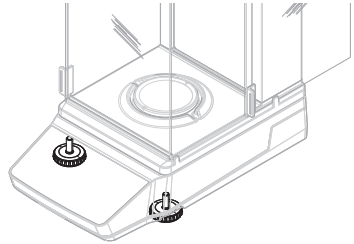


3.7.5 Nivellierfüsse

Die Waage steht auf höhenverstellbaren Füßen. Mit diesen Füßen wird die Waage nivelliert.

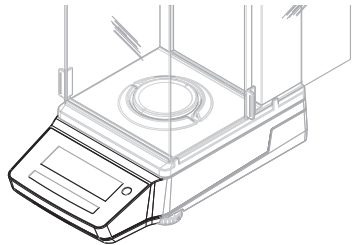
Hinweis

Grosse Waagen und Kompaktwaagen verfügen über vier Nivellierfüsse.



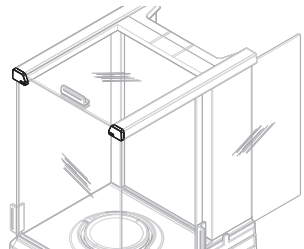
3.7.6 Terminal

Das Terminal ist in die Waage integriert und verfügt über eine LCD-Anzeige. Das Terminal und die Wägeplattform sind durch eine austauschbare Abdeckung geschützt.



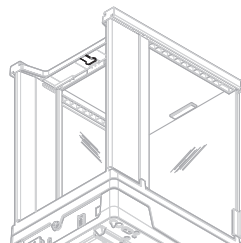
3.7.7 QuickLock für Türen und Frontplatte

Je nach Position dient der QuickLock dazu, die obere Tür, die Seitentüren und die Frontplatte des Windschutzes zu sperren/entsperren.



3.7.8 Entriegelungsknopf für Rückplatte

Der Entriegelungsknopf dient zum Sperren/Entsperren der Rückplatte des Windschutzes.



3.8 Benutzeroberfläche

3.8.1 Die wichtigsten Menübereiche auf einen Blick





Der Hauptwägebildschirm (1) zeigt die Wägeregebnisse an und gibt Rückmeldung über den Status der Waage. Die Bedientasten (2) sind das Hauptnavigationselement, über das alle Menüs und Einstellungen aufgerufen und ausgewählt werden können.




	Name	Beschreibung
1	Hauptbildschirm der Waage	Zeigt die Wägeregebnisse und Informationen über den Status der Waage an.
2	Bedientasten	Öffnet Waagenmenüs und -funktionen.

Bedientasten

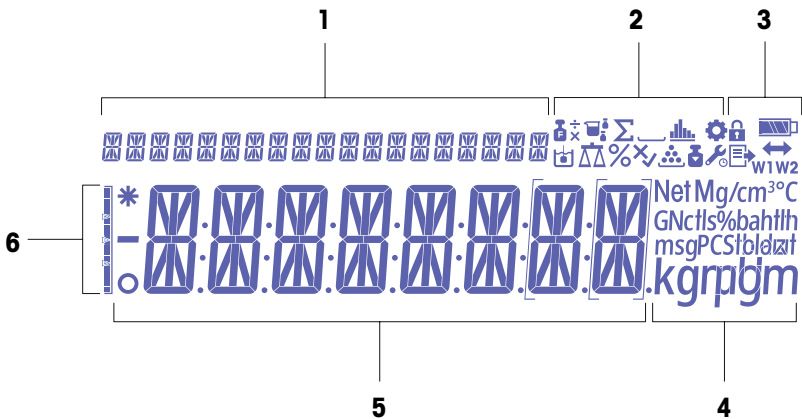
	Name	Beschreibung
	Einstellungen	Öffnet das Einstellungsmenü.
	Anwendungen	Bietet Zugriff auf das Anwendungsmenü.
	Zurück/Nach oben/ Erhöhen	<ul style="list-style-type: none"> • Scrollt in einer Themenliste nach oben. • Wechselt zwischen Einheit 1, Einheit 2 und der Anwendungseinheit (falls vorhanden). • Erhöht die Zahl. • Fügt innerhalb einer Anwendung ein erfasstes Gewicht hinzu.
	Weiter/Abwärts/Ver- ringern	<ul style="list-style-type: none"> • Scrollt in einer Themenliste nach unten. • Wechselt zwischen Einheit 1, Einheit 2 und der Anwendungseinheit (falls vorhanden). • Verringert die Zahl.

	Name	Beschreibung
	Abbrechen	Bricht eine Aufgabe ab oder verlässt das Menü ohne zu speichern.
	Annehmen	<ul style="list-style-type: none"> • Öffnet das ausgewählte Menü. • Startet die ausgewählte Anwendung. • Bestätigt die Eingabe.
	Justierung	Führt das vordefinierte Justierverfahren aus.
	Drucken/Übertragen	<ul style="list-style-type: none"> • Druckt den angezeigten Wert aus. • Drückt die Einstellungen des aktiven Benutzermenüs aus. • Überträgt Daten an den vordefinierten Zielfort.

Sehen Sie dazu auch



 Hauptbildschirm der Waage ▶ Seite 12









3.8.2 Hauptbildschirm der Waage








1	Coachtext	4	Einheitensymbole
2	Applikations-Icons	5	Gewichtswert/Menübezeichnung/Parameterbezeichnung/Parameterwert
3	Status-Symbole	6	Einwägehilfe






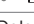

Applikations-Icons

	Name	Beschreibung
	Applikation "Wägen mit Faktor-Division"	Beim "Wägen mit Faktor-Division" wird ein voreingestellter Faktor durch den Gewichtswert (in Gramm) dividiert: Ergebnis = Faktor/Gewicht Das Ergebnis wird auf eine vorgegebene Anzahl von Dezimalstellen gerundet.
	Applikation "Wägen mit Faktor-Multiplikation"	Beim "Wägen mit Faktor-Multiplikation" wird der Gewichtswert (in Gramm) mit einem voreingestellten Faktor multipliziert: Ergebnis = Faktor × Gewicht Das Ergebnis wird auf eine vorgegebene Anzahl von Dezimalstellen gerundet.

	Name	Beschreibung
	Applikation "Rezeptieren"	Das "Rezeptieren" (Nettosumme) dient mehreren Zwecken. <ul style="list-style-type: none"> • Einwägen (Summieren und Speichern) von bis zu 999 Einzelkomponenten und Anzeige des aufsummierten Gesamtgewichts. Wenn ein Drucker angeschlossen ist, können die Einzelgewichte der Komponenten und das aufsummierte Gesamtgewicht ausgedruckt werden. • die Trierung/Handtrierung von bis zu 999 Behältern und Anzeige des Gesamtgewichts. Wenn ein Drucker angeschlossen ist, können die einzelnen Taragewichte und das aufsummierte Gesamtgewicht ausgedruckt werden. • Das Auffüllen der Summe des Nettogewichts aller Komponenten durch Hinzufügen einer weiteren Komponente zu einem höheren Wert.
	Applikation "Summieren"	Die Applikation "Summieren" ermöglicht Ihnen das Wägen verschiedener Proben und das Aufsummieren der Gewichtswerte. Es können 1 bis 999 Proben gewogen werden.
	Applikation "Statistik"	Die Applikation "Statistik" ermöglicht Ihnen die statistische Auswertung einer Wägereihe. Es können 1 bis 999 Werte verarbeitet werden.
	Applikation "Dynamisches Wägen"	Die Applikation "Dynamisches Wägen" ermöglicht Ihnen das Wägen unruhiger Wägegüter oder das Wägen unter instabilen Umgebungsbedingungen. Während einer festgelegten Zeitspanne berechnet die Waage den Mittelwert mehrerer Wägungen.
	Anwendung Dichte	Mit der Anwendung Dichte bestimmen Sie die Dichte von Festkörpern und Flüssigkeiten. Die Dichte wird nach dem "archimedischen Prinzip" bestimmt, wonach jeder Körper, der in eine Flüssigkeit getaucht wird, scheinbar um so viel leichter wird, wie die von ihm verdrängte Flüssigkeitsmenge wiegt.
	Anwendung Wägen	Mit der Anwendung Wägen werden einfache Wägaufgaben oder Messserien durchgeführt.
	Anwendung Kontrollwägen	Mit der Anwendung Kontrollwägen können Sie innerhalb bestimmter Toleranzgrenzen die Gewichtsabweichung einer Probe bezogen auf ein Sollgewicht prüfen.
	Anwendung Zählen	Mit der Anwendung Zählen können Sie die Anzahl der auf die Waagschale gelegten Teile ermitteln.

Status-Symbole

	Name	Beschreibung
	Menü-Einstellungen aktiviert	Menü-Einstellungen sind aktiviert und können angepasst werden.
	Menü-Einstellungen blockiert	Menü-Einstellungen sind gesperrt und können nicht verändert werden.
	Interne Justierung gestartet	Die interne Justierung der Waage wurde gestartet.
	Serviceerinnerung	Nächster Service ist fällig.
	Veröffentlichungen	Daten werden veröffentlicht.

	Name	Beschreibung
	Batterieladezustand	Nur Kompaktwaagen: Zeigt den Ladezustand der Batterie an. <ul style="list-style-type: none"> • : Batterie voll • : Batterie 3/4 voll • : Batterie 1/2 voll • : Batterie 1/4 voll • : Batterie entladen
	Konnektivität	Datenverbindung zu einem anderen Gerät.
W1	Wägebereich 1	Wägebereich 1 ist aktiv.
W2	Wägebereich 2	Wägebereich 2 ist aktiv.
Net	Nettogewichtswerte	„Net“ signalisiert, dass alle angezeigten Gewichtswerte Nettowerte sind.
G	Bruttogewichtswerte	Anzeige der Bruttogewichtswerte.
M	Gespeicherter Wert (Speicher)	Anzeige eines gespeicherten Wertes aus dem Speicher der Waage.

Beschriftungssymbole

	Name	Beschreibung
*	Berechneter Wert	Zeigt an, dass der angezeigte Wert berechnet wurde.
o	Instabiler Wert	Zeigt an, dass der angezeigte Wert instabil ist, was bedeutet, dass er sich im Laufe der Zeit ändert.
{ }	Nicht zertifizierte Ziffern	Klammern zeigen nicht zertifizierte Ziffern an (nur geeichte Waagen).

4 Installation und Inbetriebnahme

4.1 Wahl des Aufstellortes

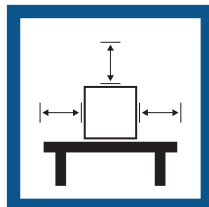
Eine Waage ist ein empfindliches Präzisionsinstrument. Der richtige Standort hat erheblichen Einfluss auf die Genauigkeit der Wägeregebnisse.

Anforderungen an den Aufstellort

In Innenräumen auf einem stabilen Tisch



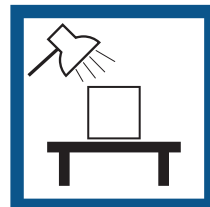
Auf ausreichenden Abstand achten



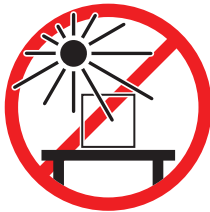
Gerät nivellieren



Für angemessene Beleuchtung sorgen



Direkte Sonneneinstrahlung vermeiden



Vibrationen vermeiden



Starke Zugluft vermeiden



Temperaturschwankungen vermeiden



Berücksichtigen Sie die Umgebungsbedingungen. Siehe "Technische Daten".

Ausreichend Abstand für Waagen: > 15 cm auf allen Seiten des Gerätes

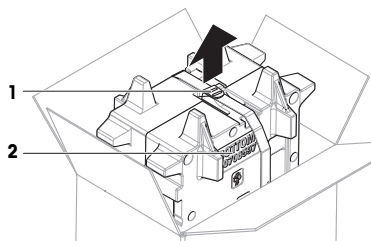
4.2 Waage auspacken

Überprüfen Sie die Verpackung, die Verpackungselemente und die gelieferten Komponenten auf Beschädigungen. Sollten Komponenten beschädigt sein, wenden Sie sich bitte an Ihren METTLER TOLEDO-Servicepartner.

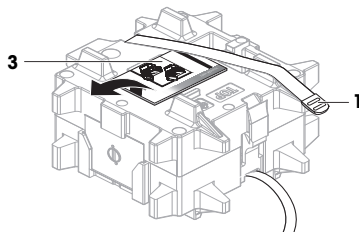
Hinweis

Je nach Waagenmodell können die Verpackung und die Komponenten unterschiedlich aussehen.

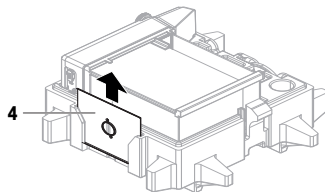
- 1 Öffnen Sie den Karton und heben Sie den Inhalt mit dem Hebeband (1) heraus.
- 2 Legen Sie das Paket mit der Beschriftung BOTTOM (2) nach unten auf eine ebene Fläche.



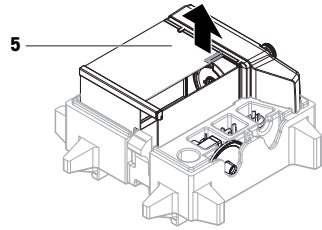
- 3 Öffnen Sie das Hebeband (1) und entnehmen Sie das Benutzerhandbuch (3).



- 4 Entfernen Sie den oberen Teil der Verpackung und packen Sie die Auffangschale (4) vorsichtig aus.



- 5 Packen Sie die Waage (**5**) und alle anderen Teile vorsichtig aus.
- 6 Nehmen Sie die Schutzhülle ab.
- 7 Lassen Sie die Schutzabdeckung auf der Wägeplattform und auf dem Terminal.
- 8 Bewahren Sie alle Teile der Verpackung für den späteren Gebrauch an einem sicheren Ort auf.
 - ➔ Die Waage ist bereit zur Installation.



4.3 Installation

Hinweis

Je nach Waagenmodell können die Komponenten unterschiedlich aussehen.

4.3.1 Waagen mit Windschutz



VORSICHT

Verletzung durch scharfe Gegenstände oder Glasscherben

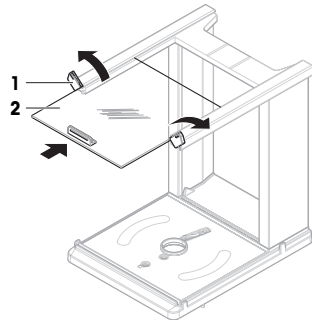
Gerätekomponenten, wie z. B. Glas, können brechen und zu Verletzungen führen.

- Gehen Sie immer konzentriert und vorsichtig vor.

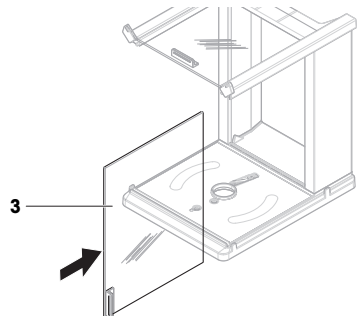
Hinweis

Überspringen Sie die Schritte 1 bis 5 beim ersten Auspacken der Waage oder wenn der Windschutz bereits zusammengebaut an der Wägeplattform angebracht ist.

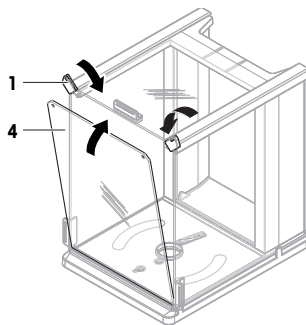
- 1 Windschutz zusammenbauen: Drehen Sie den QuickLock (**1**, rechts, links) und schieben Sie die obere Tür (**2**) ein.



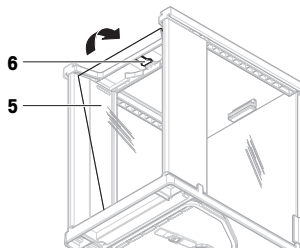
- 2 Schieben Sie die Seitentür (**3**) (rechts, links) ein.



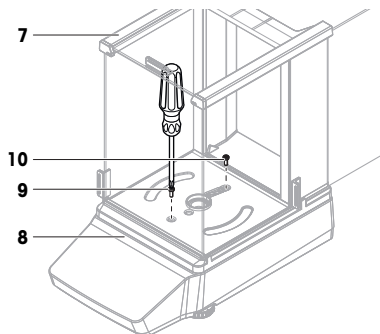
- 3 Bringen Sie die Frontplatte (4) an, drehen Sie dann den QuickLock (1, rechts, links), um die Platte zu befestigen.



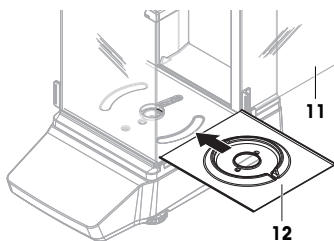
- 4 Bringen Sie die Rückplatte (5) an. Stellen Sie sicher, dass der Entriegelungsknopf (6) einrastet.



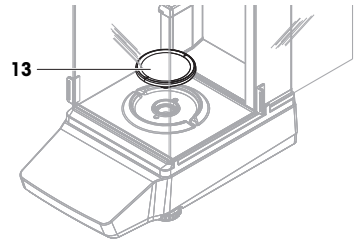
- 5 Befestigen Sie den Windschutz (7) an der Wägeplattform (8), indem Sie die vordere Schraube (9) und die hintere Schraube (10) mit einem Kreuzschlitzschraubendreher anziehen.



- 6 Öffnen Sie die Seitentür (11).
- 7 Setzen Sie die Auffangschale (12) ein.

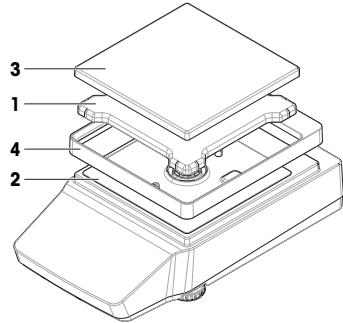


- 8 Montieren Sie die Waagschale (13).
- ➔ Die Waage ist einsatzbereit.



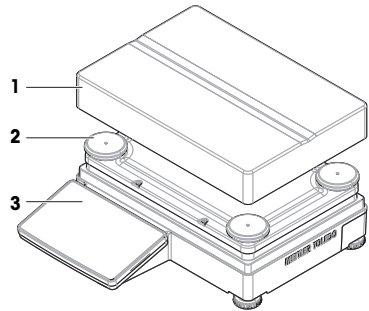
4.3.2 Waagen ohne Windschutz

- 1 Setzen Sie den Waagschalenträger (1) auf die Wägeplattform (2).
- 1 **Hinweis**
Zum Schutz Ihrer Waage lassen Sie die Schutzabdeckung auf der Wägeplattform (2).
- 2 Setzen Sie die Waagschale (3) auf den Waagschalenträger (1).
- 3 Legen Sie das Windschutzelement (4) auf die Wägeplattform (2).
- ➔ Die Waage ist einsatzbereit.



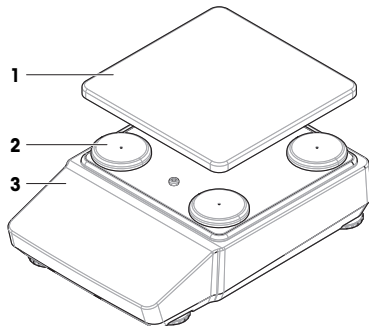
4.3.3 Waagen, gross

- Setzen Sie die Waagschale (1) auf die Trägerkappen (2).
- 1 **Hinweis**
Zum Schutz Ihrer Waage lassen Sie die Schutzabdeckung auf dem Terminal (3).
- ➔ Die Waage ist einsatzbereit.



4.3.4 Waagen, kompakt

- Setzen Sie die Waagschale (1) auf die Trägerkappen (2).
- 1 **Hinweis**
Zum Schutz Ihrer Waage lassen Sie die Schutzabdeckung auf der Wägeplattform (3).
- ➔ Die Waage ist einsatzbereit.



4.4 Inbetriebnahme

4.4.1 Anschliessen der Waage



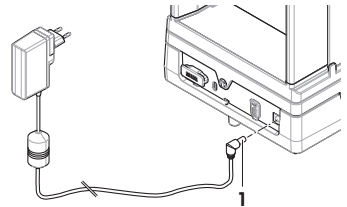
! WARNUNG

Es besteht Lebensgefahr oder die Gefahr schwerer Verletzungen durch Stromschlag

Der Kontakt mit spannungsführenden Teilen kann zum Tod oder zu Verletzungen führen.

- 1 Verwenden Sie ausschließlich das Stromversorgungskabel und das AC/DC-Netzteil von METTLER TOLEDO, das gezielt für Ihr Instrument ausgelegt wurde.
- 2 Stecken Sie das Stromversorgungskabel in eine geerdete Steckdose.
- 3 Halten Sie alle elektrischen Kabel und Anschlüsse von Flüssigkeiten und Feuchtigkeit fern.
- 4 Überprüfen Sie die Kabel und den Netzstecker vor der Verwendung auf Beschädigungen und tauschen Sie diese bei Beschädigung aus.

- 1 Platzieren Sie die Kabel so, dass sie weder beschädigt werden noch den Betrieb behindern können.
- 2 Verbinden Sie den Stecker des Netzadapters (1) mit der Netzbuchse des Gerätes.
- 3 Stecken Sie das Netzkabel in eine leicht zugängliche und geerdete Steckdose.
⇒ Die Waage schaltet sich automatisch ein.



i Hinweis

Das Gerät keinesfalls an eine Steckdose mit Schalter anschließen. Nach dem Einschalten des Gerätes muss dieses zunächst aufwärmen, bevor genaue Resultate angezeigt werden.

Sehen Sie dazu auch

🔗 Allgemeine Daten ▶ Seite 30

4.4.2 Einschalten der Waage

Wenn die Waage an die Stromversorgung angeschlossen wird, schaltet sie sich automatisch ein.

Akklimatisierung und Aufwärmen

Damit die Waage verlässliche Resultate anzeigt, muss sie:

- sich an die Raumtemperatur anpassen
- sich aufwärmen, indem sie an die Stromversorgung angeschlossen wird

Die Akklimatisierungszeit und die Aufwärmzeit für Waagen sind unter „Allgemeine Daten“ verfügbar.

i Hinweis

Sobald der Standby-Modus beendet wird, ist die Waage umgehend einsatzbereit.

Sehen Sie dazu auch

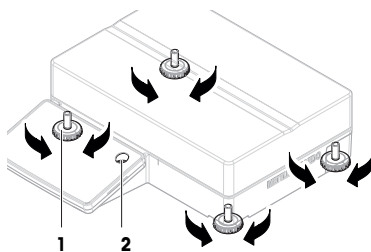
- 🔗 Allgemeine Daten ▶ Seite 30
- 🔗 Standby-Modus aktivieren/beenden ▶ Seite 22
- 🔗 Ruhemodus aufrufen/beenden ▶ Seite 22
- 🔗 Ausschalten der Waage ▶ Seite 22

4.4.3 Nivellieren der Waage

Die exakt horizontale Ausrichtung des Geräts sowie standfeste Aufstellung sind wesentliche Voraussetzungen für wiederholbare und präzise Wäageergebnisse.

4.4.3.1 Nivellieren von grossen Waagen

- 1 Drehen Sie alle Nivellierfüsse vollständig ein.
- 2 Drehen Sie alle Nivellierfüsse zwei bis drei Umdrehungen heraus, mit Ausnahme des hinteren linken Nivellierfusses.
- 3 Drehen Sie die beiden Nivellierfüsse (1) so lange, bis sich die Luftblase in der Mitte der Libelle (2) befindet. Fahren Sie wie im folgenden Beispiel fort.
- 4 Drehen Sie den hinteren linken Nivellierfuss heraus, bis er die Tischoberfläche berührt.
 - ➔ Die Waage ist nivelliert und wird von allen vier Nivellierfüssen gestützt.



Beispiel

Luftblase auf 12 Uhr:



Drehen Sie beide vordere Füsse im Uhrzeigersinn.
Drehen Sie den rechten hinteren Fuss gegen den Uhrzeigersinn.

Luftblase auf 3 Uhr:



Drehen Sie den linken vorderen Fuss im Uhrzeigersinn und den rechten vorderen Fuss gegen den Uhrzeigersinn.
Drehen Sie den rechten hinteren Fuss gegen den Uhrzeigersinn.

Luftblase auf 6 Uhr:

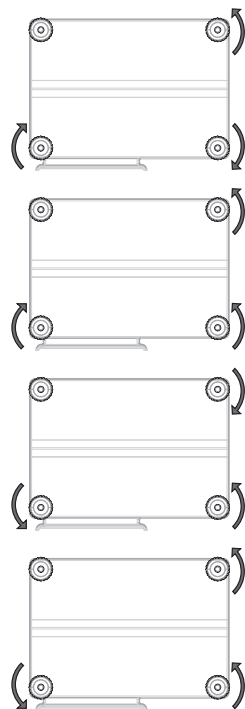


Drehen Sie beide vordere Füsse gegen den Uhrzeigersinn.
Drehen Sie den rechten hinteren Fuss im Uhrzeigersinn.

Luftblase auf 9 Uhr:

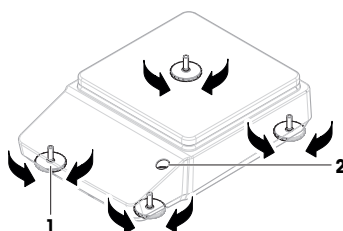


Drehen Sie beide vordere Füsse gegen den Uhrzeigersinn.
Drehen Sie den rechten hinteren Fuss gegen den Uhrzeigersinn.



4.4.3.2 Nivellieren von Kompaktwaagen

- 1 Drehen Sie beide hintere Nivellierfüsse vollständig ein.
- 2 Drehen Sie die beiden vorderen Nivellierfüsse zwei bis drei Umdrehungen heraus.
- 3 Drehen Sie die vorderen Nivellierfüsse (1) so lange, bis sich die Luftblase in der Mitte der Libelle (2) befindet. Fahren Sie wie im folgenden Beispiel fort.
- 4 Drehen Sie die beiden hinteren Nivellierfüsse heraus, bis sie die Tischoberfläche berühren.



→ Die Waage ist nivelliert und wird von allen vier Nivellierfüßen gestützt.

Beispiel

Luftblase auf 12 Uhr:



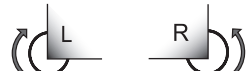
Drehen Sie beide Füße im Uhrzeigersinn.



Luftblase auf 3 Uhr:



Drehen Sie den linken Fuss im Uhrzeigersinn und den rechten Fuss gegen den Uhrzeigersinn.



Luftblase auf 6 Uhr:



Drehen Sie beide Füße gegen den Uhrzeigersinn.



Luftblase auf 9 Uhr:

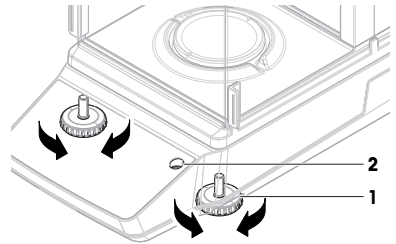


Drehen Sie den linken Fuss gegen den Uhrzeigersinn und den rechten Fuss im Uhrzeigersinn.



4.4.3.3 Nivellieren aller anderen Waagen

- Drehen Sie die beiden Nivellierfüße (1) so lange, bis sich die Luftblase in der Mitte der Libelle (2) befindet.

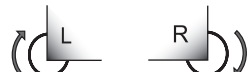


Beispiel

Luftblase auf 12 Uhr:



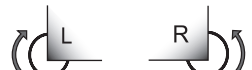
Drehen Sie beide Füße im Uhrzeigersinn.



Luftblase auf 3 Uhr:



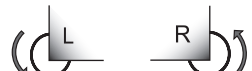
Drehen Sie den linken Fuss im Uhrzeigersinn und den rechten Fuss gegen den Uhrzeigersinn.



Luftblase auf 6 Uhr:



Drehen Sie beide Füße gegen den Uhrzeigersinn.






Luftblase auf 9 Uhr:





Drehen Sie den linken Fuss gegen den Uhrzeigersinn und den rechten Fuss im Uhrzeigersinn.



4.4.4 Durchführen einer internen Justierung

- 1 Drücken Sie auf dem Hauptwägebildschirm auf .
→ ADJ.INT erscheint.
- 2 Drücken Sie .
→ Die Justierung ist ausgeführt.
→ Die Ergebnisse der Justierung werden angezeigt.
- 3 Drücken Sie .
→ Die Waage ist einsatzbereit.


4.4.5 Standby-Modus aktivieren/beenden

- 1 Um in den Standby-Modus zu gelangen, drücken Sie weniger als 2 s auf 
 - ➔ Die Helligkeit der Anzeige wird verringert, Informationen auf der Anzeige sind sichtbar. Die Waage ist noch eingeschaltet.
- 2 Drücken Sie , um den Standby-Modus zu verlassen.
Alternativ können Sie auf die Waagschale tippen oder ein Gewicht auf die Waagschale legen.
 - ➔ Das Display wird eingeschaltet.


4.4.6 Ruhemodus aufrufen/beenden

Hinweis

Nur relevant für Kompaktwaagen im Batteriebetrieb.

- 1 Um in den Ruhemodus zu gelangen, drücken Sie kurz (unter 2 s) auf 
 - ➔ Das Display wird ausgeschaltet. Die Waage befindet sich im Ruhemodus.
- 2 Um den Ruhemodus zu beenden, drücken Sie den Weckerschalter auf der Rückseite der Waage.
 - ➔ Das Display wird eingeschaltet.




4.4.7 Ausschalten der Waage

Um die Waage vollständig abzuschalten, muss diese vom Stromnetz getrennt werden. Wenn Sie  drücken, wechselt die Waage nur in den Standby-Modus.

Hinweis

Wenn die Waage längere Zeit komplett abgeschaltet war, muss sie sich vor der Inbetriebnahme aufwärmen.

Sehen Sie dazu auch

-  Einschalten der Waage ▶ Seite 19
-  Standby-Modus aktivieren/beenden ▶ Seite 22
-  Ruhemodus aufrufen/beenden ▶ Seite 22

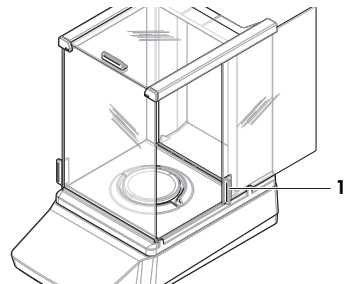
4.5 Durchführen eines einfachen Wägevorgangs

Hinweis


Zur Erläuterung des Verfahrens wird eine Waage mit Windschutz verwendet. Bei Waagen ohne Windschutz überspringen Sie die Anweisungen zum Windschutz.

4.5.1 Öffnen und Schliessen der Windschutztüren

- Öffnen Sie die Tür von Hand mit dem Türgriff (1).



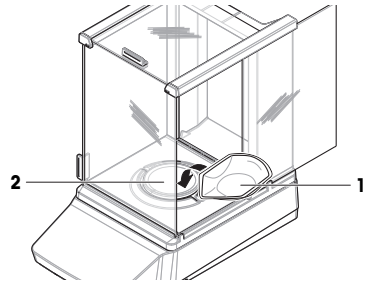
4.5.2 Nullstellen der Waage

- 1 Öffnen Sie den Windschutz.
- 2 Entlasten Sie die Waagschale.
- 3 Schliessen Sie den Windschutz.
- 4 Drücken Sie die Taste , um die Waage auf null zu stellen.
 - ➔ Die Waage ist auf null gestellt.

4.5.3 Trieren der Waage

Bei Verwendung eines Probenbehälters muss die Waage tariert werden.

- Die Waage ist auf null gestellt.
- 1 Stellen Sie den Probenbehälter (1) auf die Waagschale (2).
- 2 Drücken Sie die Taste **→T←**, um die Waage zu tarien.
 - ⇒ Die Waage ist tariert. Das Symbol **Net** erscheint.



4.5.4 Durchführen einer Wägung

- 1 Öffnen Sie den Windschutz.
- 2 Geben Sie das Wägegut in den Probenbehälter.
- 3 Schliessen Sie den Windschutz.
- 4 Warten Sie, bis die Instabilitätsanzeige **○** erlischt.
 - ⇒ Das Ergebnis wird angezeigt.
- 5 Optional, wenn ein Drucker angeschlossen ist: Drücken Sie auf **⏏**, um das Wägeergebnis auszudrucken.

4.6 Verwendung von Batterien (Kompaktwaage)

Die Waage kann auch mit Batterien betrieben werden. Unter normalen Betriebsbedingungen kann die Waage etwa 8 bis 15 Stunden netzunabhängig betrieben werden (mit Alkali-Mangan-Batterien).

Unmittelbar nach einer Unterbrechung der Netzstromversorgung wechselt die Waage automatisch in den Batteriebetrieb. Dies kann z. B. durch Ziehen des Netzsteckers oder bei einem Stromausfall geschehen. Nach Wiederherstellen der Netzstromversorgung schaltet die Waage automatisch in den Netzbetrieb zurück.

Die Waage verwendet acht AA-Standardbatterien (LR6). Alkalibatterien sind zu bevorzugen.

Wiederaufladbare Batterien können verwendet werden. Die Batterien können jedoch **nicht** in der Waage aufgeladen werden.

Wenn die Waage im Batteriebetrieb arbeitet, erscheint in der Anzeige das Batteriesymbol. Die Anzahl der Segmente im Batteriesymbol zeigt den Ladezustand an. Wenn die Batterie fast leer ist, beginnt das Batteriesymbol zu blinken.

Sehen Sie dazu auch

🔗 Hauptbildschirm der Waage ▶ Seite 12

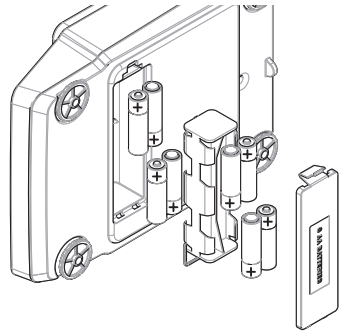
4.6.1 Batterien einlegen oder austauschen

- Lesen und befolgen Sie die Warnhinweise und Anweisungen des Batterieherstellers.
- Mischen Sie keine unterschiedlichen Typen oder Marken von Batterien. Die Batterieleistung kann je nach Hersteller unterschiedlich sein.
- Wenn die Waage über einen längeren Zeitraum nicht verwendet wird, nehmen Sie die Batterien heraus.
- Batterien müssen gemäss den örtlich geltenden Bestimmungen entsorgt werden.

Vorgehensweise:

- Die Waage ist abgeschaltet.
- Die Waagschale wurde abgenommen.
- 1 Legen Sie die Waage vorsichtig auf die Seite.

- 2 Öffnen Sie das Batteriefach und legen Sie die Batterie-fachabdeckung beiseite.
- 3 Achten Sie beim Einlegen bzw. Austauschen der Batterien auf die korrekte Polarität, wie auf dem Batteriehalter angegeben.
- 4 Fügen Sie die Batteriefachabdeckung ein und schliessen Sie das Batteriefach.
- 5 Bringen Sie die Waage vorsichtig wieder in ihre normale Position.
- 6 Bringen Sie alle abgenommenen Teile in der entsprechenden Reihenfolge wieder an.



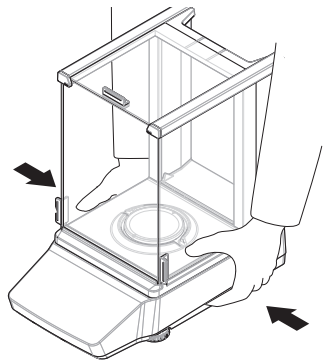
4.7 Transport, Verpackung und Lagerung

4.7.1 Transport der Waage über kurze Strecken

- 1 Trennen Sie den Netzadapter vom Netz und ziehen Sie alle Schnittstellenkabel ab.
- 2 Halten Sie die Waage mit beiden Händen fest und tragen Sie sie in horizontaler Position zum Zielort. Berücksichtigen Sie die Anforderungen an den Standort.

Wenn Sie die Waage in Betrieb nehmen möchten, gehen Sie wie folgt vor:

- 1 Schliessen Sie alles in umgekehrter Reihenfolge an.
- 2 Lassen Sie der Waage eine ausreichend lange Aufwärmzeit.
- 3 Nivellieren Sie die Waage.
- 4 Führen Sie eine interne Justierung durch.



Sehen Sie dazu auch

- ☞ Wahl des Aufstellortes ▶ Seite 14
- ☞ Einschalten der Waage ▶ Seite 19
- ☞ Nivellieren der Waage ▶ Seite 19
- ☞ Durchführen einer internen Justierung ▶ Seite 21

4.7.2 Transport der Waage über weite Strecken

METTLER TOLEDO Wir empfehlen, für den Transport der Waage oder von Waagenkomponenten über weite Strecken die Originalverpackung zu verwenden. Die Elemente der Originalverpackung wurden speziell für die Waage und ihre Komponenten entwickelt und gewährleisten optimalen Schutz beim Transport.

Sehen Sie dazu auch

- ☞ Waage auspacken ▶ Seite 15

4.7.3 Verpackung und Lagerung

Verpacken der Waage

Bewahren Sie alle Teile der Verpackung an einem sicheren Ort auf. Die Bestandteile der Originalverpackung wurden speziell für die Waage und ihre Komponenten entwickelt und gewährleisten optimalen Schutz bei Transport oder Lagerung.

Lagern der Waage

Beim Einlagern der Waage müssen folgende Bedingungen erfüllt sein:

- In Innenräumen und in der Originalverpackung
- Entsprechend den Umgebungsbedingungen, siehe Kapitel "Technische Daten"

Hinweis

Bei einer Lagerung von mehr als 6 Monaten kann sich der Akku vollständig entladen (nur Datum und Uhrzeit gehen verloren).

Sehen Sie dazu auch

 Technische Daten ▶ Seite 30

5 Wartung

Zur Gewährleistung der Funktionalität der Waage und der Genauigkeit der Wägergebnisse muss der Benutzer eine Reihe von Wartungsmaßnahmen durchführen.



Ausführlichere Informationen finden Sie im Referenzhandbuch (RM).

 www.mt.com/MA-RM

5.1 Wartungsaufgaben

Wartungsmaßnahme	Empfohlenes Intervall	Anmerkungen
Interne Justierung durchführen	<ul style="list-style-type: none"> • Täglich • Nach der Reinigung • Nach dem Nivellieren • Nach einem Ortswechsel 	Siehe "Interne Justierung durchführen"
Routineprüfungen durchführen (Eckenlastprüfung, Wiederholbarkeitstest, Empfindlichkeitstest). METTLER TOLEDO empfiehlt, mindestens einen Empfindlichkeitstest durchzuführen.	<ul style="list-style-type: none"> • Nach der Reinigung • Nach dem Zusammenbau der Waage • Nach einem Software-Update • Abhängig von Ihren internen Vorschriften (SOP) 	Siehe "Tests" im Referenzhandbuch
Reinigung	<ul style="list-style-type: none"> • Nach jedem Gebrauch • Abhängig vom Verschmutzungsgrad • Abhängig von Ihren internen Vorschriften (SOP) 	siehe "Reinigung"
Software-Update	<ul style="list-style-type: none"> • Abhängig von Ihren internen Vorschriften (SOP). • Nach einem neuen Software-Release. 	Siehe "Software-Update" im Referenzhandbuch

Sehen Sie dazu auch

 Durchführen einer internen Justierung ▶ Seite 21

 Reinigung ▶ Seite 26

5.2 Reinigung

5.2.1 Demontage zur Reinigung

Hinweis

Je nach Waagenmodell können die Komponenten unterschiedlich aussehen.

Hinweis

In den meisten Fällen ist es nicht nötig, die Schutzabdeckung zu entfernen, um die Waage zu reinigen.

5.2.1.1 Waagen mit Windschutz



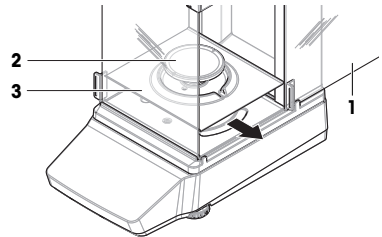
VORSICHT

Verletzung durch scharfe Gegenstände oder Glasscherben

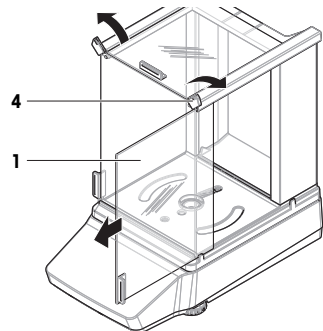
Gerätekomponenten, wie z. B. Glas, können brechen und zu Verletzungen führen.

- Gehen Sie immer konzentriert und vorsichtig vor.

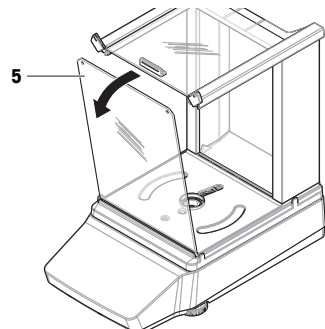
- 1 Öffnen Sie die Seitentür (1).
- 2 Entfernen Sie die Waagschale (2) und die Auffangschale (3).



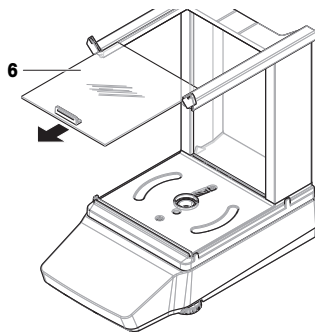
- 3 Drehen Sie den QuickLock (4) und ziehen Sie die Seitentür (1) nach vorn, um sie zu entfernen (rechts, links).



- 4 Kippen Sie die Frontplatte (5) nach vorne ab und heben Sie sie aufwärts, um sie zu entfernen.



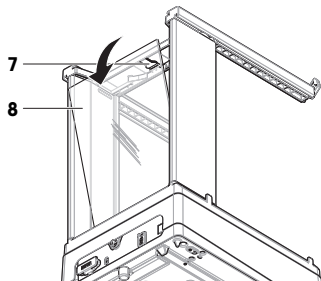
- 5 Ziehen Sie die obere Tür (6) nach vorn, um sie zu entfernen.



- 6 Drücken Sie den Entriegelungsknopf (7) und kippen Sie die Rückplatte (8) ab, um sie zu entfernen.

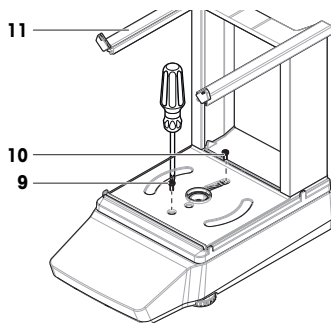
Hinweis

Optional, falls erforderlich: Entfernen Sie zum Reinigen die Schutzabdeckung, wie unten beschrieben.

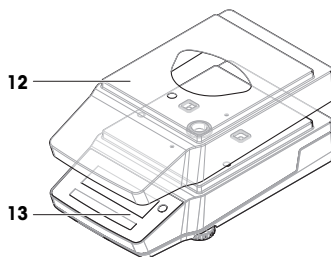


- 7 Entfernen Sie die vordere Schraube (9) und die hintere Schraube (10) mit einem Kreuzschlitzschraubendreher.

- 8 Entfernen Sie den Windschutz (11).



- 9 Entfernen Sie die Schutzabdeckung (12) von der Wägeplattform (13).

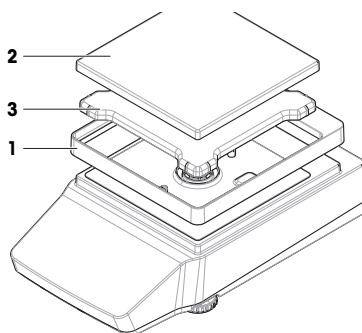


5.2.1.2 Waagen ohne Windschutz

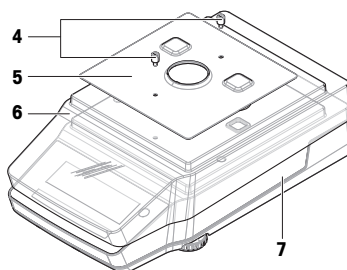
- 1 Entfernen Sie das Windschutzelement (1).
- 2 Nehmen Sie die Waagschale ab (2).
- 3 Nehmen Sie den Waagschalenträger (3) ab.

Hinweis

Optional, falls erforderlich: Entfernen Sie zum Reinigen die Schutzabdeckung, wie unten beschrieben.

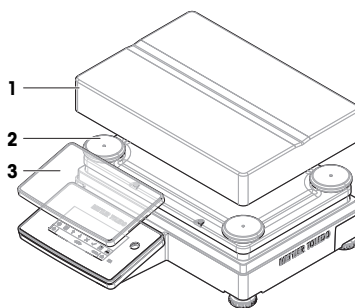


- 4 Entfernen Sie die Schrauben (4), um die EMV-Platte (5) abzunehmen.
- 5 Entfernen Sie die Schutzabdeckung (6) von der Wägeplattform (7).



5.2.1.3 Waagen, gross

- 1 Nehmen Sie die Waagschale ab (1).
- 2 Entfernen Sie die Trägerkappen (2).
- 3 Optional, falls erforderlich: Entfernen Sie zum Reinigen die Schutzabdeckung (3).

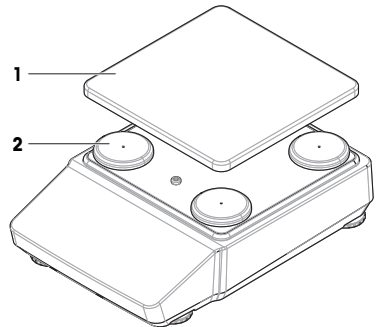


5.2.1.4 Waagen, kompakt

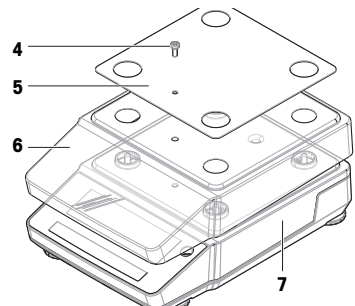
- 1 Nehmen Sie die Waagschale ab (1).
- 2 Entfernen Sie die Trägerkappen (2).

Hinweis

Optional, falls erforderlich: Entfernen Sie zum Reinigen die Schutzabdeckung, wie unten beschrieben.



- 3 Entfernen Sie die Schrauben (4), um die EMV-Platte (5) abzunehmen.
- 4 Entfernen Sie die Schutzabdeckung (6) von der Wägeplattform (7).



5.2.2 Reinigung der Waage



HINWEIS

Beschädigung des Gerätes durch ungeeignete Reinigungsmethoden

Wenn Flüssigkeiten in das Gehäuse gelangen, kann das Gerät beschädigt werden. Die Oberfläche des Geräts kann durch bestimmte Reinigungs-, Lösungs- oder Scheuermittel beschädigt werden.

- 1 Sprühen oder giessen Sie keine Flüssigkeiten auf das Gerät.
- 2 Verwenden Sie ausschließlich die im Referenzhandbuch (RM) des Geräts oder im Leitfaden "8 Steps to a Clean Balance" angegebenen Reinigungsmittel.
- 3 Verwenden Sie zum Reinigen des Geräts nur ein leicht angefeuchtetes, fusselfreies Tuch.
- 4 Wischen Sie verschüttete Flüssigkeiten sofort ab.



Weitere Informationen zur Reinigung einer Waage finden Sie unter "8 Steps to a Clean Balance".

► www.mt.com/lab-cleaning-guide

Reinigung um die Waage herum

- Entfernen Sie Schmutz und Staub um die Waage herum und vermeiden Sie weitere Verunreinigungen.

Reinigung des Terminals

- Reinigen Sie das Terminal mit einem feuchten Tuch oder einem Papiertuch und einem milden Reinigungsmittel.

Reinigung aller abnehmbaren Teile

- Reinigen Sie alle abgebauten Teile mit einem feuchten Tuch oder einem Papiertuch und einem milden Reinigungsmittel oder reinigen Sie sie in der Spülmaschine bei bis zu 80 °C.

Reinigung der Wägeeinheit

- 1 Trennen Sie die Waage vom Netzadapter.
- 2 Reinigen Sie die Oberfläche der Waage unter Verwendung eines mit einem milden Reinigungsmittel angefeuchteten, fusselfreien Tuchs.
- 3 Entfernen Sie zunächst pudrige Substanzen oder Staub mit einem Einwegtuch.
- 4 Benutzen Sie zum Entfernen klebriger Substanzen ein feuchtes, fusselfreies Tuch und ein mildes Lösungsmittel, z. B. 70%iges Isopropanol oder Ethanol.

5.2.3 Inbetriebnahme nach Reinigung

- 1 Bauen Sie die Waage wieder zusammen.
- 2 Prüfen Sie, ob sich die Windschutztüren (oben und seitlich) (gegebenenfalls) normal öffnen und schliessen lassen.
- 3 Schliessen Sie die Waage wieder an den Netzadapter an.
- 4 Überprüfen Sie die Nivellierung und nivellieren Sie die Waage bei Bedarf.
- 5 Beachten Sie die in den „Technischen Daten“ angegebene Aufwärmzeit.
- 6 Führen Sie eine interne Justierung durch.
- 7 Führen Sie eine Routineprüfung gemäß den internen Vorschriften Ihres Unternehmens durch. METTLER TOLEDO empfiehlt, nach der Reinigung der Waage einen Empfindlichkeitstest durchzuführen.
- 8 Drücken Sie die Taste **→0←**, um die Waage auf null zu stellen.
⇒ Die Waage ist einsatzbereit.

Sehen Sie dazu auch

- 🔗 Nivellieren der Waage ▶ Seite 19
- 🔗 Technische Daten ▶ Seite 30
- 🔗 Durchführen einer internen Justierung ▶ Seite 21

5.3 Service

Regelmäßige Wartung durch einen autorisierten Servicetechniker garantiert eine über Jahre gleichbleibende Zuverlässigkeit. Erkundigen Sie sich bei Ihrem METTLER TOLEDO-Vertreter nach den verfügbaren Serviceoptionen.

6 Technische Daten

6.1 Allgemeine Daten

Stromversorgung

Netzadapter:	Eingang: 100–240 V AC ± 10 %, 50–60 Hz, 0,5 A Ausgang: 12 V DC, 1 A, LPS
Stromverbrauch Waage:	12 V DC ± 10 %, 0,5 A
Polarität:	⊖ ● ⊕

Netzteil (optional)

Netzadapter:	Eingang: 100–240 V AC ± 10 %, 50–60 Hz, 0,8 A, 61–80 VA Ausgang: 12 V DC, 2,5 A, LPS
Kabel für den Netzadapter:	3-polig, mit länderspezifischem Stecker
Stromverbrauch Waage:	12 V DC ± 10 %, 0,5 A
Polarität:	⊖ ● ⊕

Schutz und Normen

Überspannungskategorie:	II
Verschmutzungsgrad:	2
Schutzart:	IP43 (nur Präzisionswaagen)

Hinweis

Die angegebene Schutzart wird nur erzielt, wenn die Waage betriebsbereit ist. Die Schutzabdeckung muss angebracht sein und die Kappen müssen die Schnittstellenanschlüsse abdecken.

Normen für Sicherheit und EMV:	Siehe Konformitätsbescheinigung
Verwendungsbereich:	Nur in trockenen Innenräumen verwenden

Umgebungsbedingungen

Die Grenzwerte gelten, wenn die Waage unter folgenden Umgebungsbedingungen eingesetzt wird:

Höhe über NN:	Bis 5000 m
Umgebungstemperatur:	+10 bis +30 °C
Max. Temperaturänderung:	5 °C/h
Relative Luftfeuchtigkeit:	30 bis 70 %, nicht kondensierend
Akklimatisierungszeit:	Empfehlung: Bis zu 4 Stunden bei Präzisionswaagen oder bis zu 8 Stunden bei Analysenwaagen. Diese Werte gelten, nachdem die Waage an dem Ort aufgestellt wurde, an dem sie in Betrieb genommen wird.

Hinweis

Die Akklimatisierungszeit hängt von der Ablesbarkeit der Waage und den Umgebungsbedingungen ab.

Aufwärmzeit:	Mindestens 30 Minuten bei Präzisionswaagen oder 60 Minuten bei Analysenwaagen. Diese Werte gelten nach dem Anschließen der Waage an die Stromversorgung. Beim Einschalten aus dem Standby-Modus ist die Waage sofort betriebsbereit.
--------------	--

Die Waage kann unter den folgenden Umgebungsbedingungen verwendet werden. Die Wägeleistung der Waage kann jedoch außerhalb der Grenzwerte liegen:

Umgebungstemperatur:	+5 – +40 °C
Relative Luftfeuchtigkeit:	20 % bis max. 80 % bei 31 °C, linear abnehmend bis 50 % bei 40 °C, nicht kondensierend

Die Waage kann unter folgenden Bedingungen von der Stromversorgung getrennt und in ihrer Verpackung gelagert werden:

Umgebungstemperatur:	-25 bis +70 °C
Relative Luftfeuchtigkeit:	10 bis 90 %, nicht kondensierend

7 Entsorgung

In Übereinstimmung mit der europäischen Richtlinie 2012/19/EU über Elektro- und Elektronik-Altgeräte (WEEE) darf dieses Gerät nicht im Hausmüll entsorgt werden. Dies gilt auch für Länder außerhalb der EU, je nach deren spezifischen Anforderungen.

Bitte entsorgen Sie dieses Produkt in Übereinstimmung mit den örtlichen Vorschriften bei der für elektrische und elektronische Geräte vorgesehenen Sammelstelle. Wenn Sie Fragen haben, wenden Sie sich bitte an die zuständige Behörde oder an den Händler, bei dem Sie dieses Gerät erworben haben. Sollte dieses Gerät an andere Personen weitergegeben werden, muss auch der Inhalt dieser Vorschrift mit einbezogen werden.



8 Informationen zur Konformität

Nationale Zulassungsdokumente, wie z. B. die FCC-Konformitätsbescheinigung des Lieferanten, sind online verfügbar und/oder in der Verpackung enthalten.

► www.mt.com/ComplianceSearch



Ausführlichere Informationen finden Sie im Referenzhandbuch (RM).

► www.mt.com/MA-RM

Índice de contenidos

1	Introducción	3
1.1	Objetivo del documento	3
1.2	Información y documentos adicionales.....	3
1.3	Acrónimos y abreviaturas.....	3
2	Información de seguridad	4
2.1	Definición del texto y los símbolos de advertencia	4
2.2	Indicaciones de seguridad específicas del producto	5
3	Diseño y función	6
3.1	Vista general de las balanzas analíticas	6
3.2	Vista general de las balanzas de precisión pequeñas.....	7
3.3	Vista general de las balanzas de precisión grandes	7
3.4	Vista general de las balanzas de precisión compactas	8
3.5	Vista general del terminal.....	8
3.6	Vista general de las conexiones de la interfaz.....	9
3.7	Descripción de los componentes	9
3.7.1	Cortaaires	9
3.7.2	Plato de pesaje	10
3.7.3	Plato colector	10
3.7.4	Tirador de la puerta.....	10
3.7.5	Patas de nivelación	10
3.7.6	Terminal	11
3.7.7	QuickLock para puertas y panel frontal.....	11
3.7.8	Botón de desbloqueo del panel trasero.....	11
3.8	Interfaz de usuario	11
3.8.1	Descripción general de los apartados principales	11
3.8.2	Pantalla principal de pesaje.....	13
4	Instalación y puesta en marcha	15
4.1	Selección de la ubicación	15
4.2	Desembalaje de la balanza.....	15
4.3	Instalación	16
4.3.1	Balanzas con cortaaires	17
4.3.2	Balanzas sin cortaaires	19
4.3.3	Balanzas grandes.....	19
4.3.4	Balanzas compactas	19
4.4	Puesta en marcha.....	20
4.4.1	Conexión de la balanza.....	20
4.4.2	Encendido de la balanza	20
4.4.3	Nivelación de la balanza	21
4.4.3.1	Nivelación de balanzas grandes.....	21
4.4.3.2	Nivelación de balanzas compactas	22
4.4.3.3	Nivelación del resto de balanzas	22
4.4.4	Realización de un ajuste interno	23
4.4.5	Entrada/salida del modo de espera.....	23
4.4.6	Entrada/salida del modo de hibernación	23
4.4.7	Apagado de la balanza	23
4.5	Realización de un pesaje sencillo	24
4.5.1	Apertura y cierre de las puertas del cortaaires.....	24
4.5.2	Puesta a cero de la balanza	24
4.5.3	Tara de la balanza.....	24
4.5.4	Realización de un pesaje.....	24

4.6	Uso de pilas (balanza compacta).....	25
4.6.1	Introducción o sustitución de las pilas.....	25
4.7	Transporte, embalaje y almacenamiento.....	26
4.7.1	Traslado de la balanza a corta distancia.....	26
4.7.2	Traslado de la balanza a larga distancia.....	26
4.7.3	Embalaje y almacenamiento.....	26
5	Mantenimiento	27
5.1	Tareas de mantenimiento.....	27
5.2	Limpieza.....	27
5.2.1	Desmontaje para la limpieza.....	27
5.2.1.1	Balanzas con cortaaíres.....	27
5.2.1.2	Balanzas sin cortaaíres.....	29
5.2.1.3	Balanzas grandes.....	30
5.2.1.4	Balanzas compactas.....	30
5.2.2	Limpieza de la balanza.....	31
5.2.3	Puesta en marcha después de la limpieza.....	31
5.3	Mantenimiento.....	32
6	Características técnicas	32
6.1	Características generales.....	32
7	Disposal	33
8	Información sobre conformidad	33

1 Introducción

Gracias por elegir una balanza de METTLER TOLEDO. La balanza combina un rendimiento excelente con facilidad de uso.

EULA

El software de este producto está sujeto a licencia de conformidad con el Contrato de Licencia de Usuario Final (CLUF) de METTLER TOLEDO para software.

Al utilizar este producto, acepta los términos del CLUF.

► www.mt.com/EULA

1.1 Objetivo del documento

Este manual de usuario proporciona instrucciones breves sobre los primeros pasos que debe seguir con el instrumento. Esto asegura un manejo seguro y eficaz. El personal deberá haber leído y comprendido este manual antes de llevar a cabo cualquier tarea.

1.2 Información y documentos adicionales

Este documento está disponible en línea en otros idiomas.



► www.mt.com/MA-UM

Página de producto:

► www.mt.com/MA-balances

Instrucciones para la limpieza de una balanza, «8 Steps to a Clean Balance»:

► www.mt.com/lab-cleaning-guide

Búsqueda de software:

► www.mt.com/labweighing-software-download

Búsqueda de documentos:

► www.mt.com/library

Si tiene alguna pregunta, póngase en contacto con su METTLER TOLEDO representante de ventas o asistencia autorizado.

► www.mt.com/contact

1.3 Acrónimos y abreviaturas

Término original	Traducción	Explicación
AC	CA	Alternating Current (Corriente alterna)
ASTM		American Society for Testing and Materials
DC	CC	Direct Current (Corriente continua)
EMC		Electromagnetic Compatibility (Compatibilidad electromagnética)
FCC		Federal Communications Commission
GWP		Good Weighing Practice
HID		Human Interaction Device (Dispositivo de interfaz humana)

ID		Identification (Identificación)
IP		Ingress Protection
LAN		Local Area Network (Red de área local)
LED		Light-Emitting Diode (Diodo emisor de luz)
LPS		Limited Power Source (Fuente de energía limitada)
MAC		Media Access Control (Control de acceso al medio)
MT-SICS		METTLER TOLEDO Standard Interface Command Set
NA		Not Applicable (No aplicable)
OIML		Organisation Internationale de Métrologie Légale (International Organization of Legal Metrology)
RAM		Random Access Memory (Memoria de acceso aleatorio)
RM		Reference Manual (Manual de referencia)
SOP	PNT	Standard Operating Procedure (Procedimiento normalizado de trabajo)
UM		User Manual (Manual de usuario)
USB		Universal Serial Bus (Bus serie universal)
USP		United States Pharmacopeia

2 Información de seguridad

Para este instrumento hay disponibles dos documentos denominados "Manual del usuario" y "Manual de referencia".

- El manual de usuario está disponible en línea en varios idiomas.
- Se suministra una versión impresa del manual de usuario con el instrumento .
- El manual de referencia está disponible en línea. Este manual contiene una descripción completa del instrumento y de su uso.
- Guarde los dos documentos para consultarlos en el futuro.
- Incluya los dos documentos si transfiere el instrumento a terceros.

Use el instrumento siguiendo únicamente el manual del usuario y el manual de referencia. Si modifica el instrumento o no lo usa según la información indicada en estos documentos, la seguridad de este puede verse afectada y Mettler-Toledo GmbH no asumiremos ninguna responsabilidad al respecto.

2.1 Definición del texto y los símbolos de advertencia

Las indicaciones de seguridad contienen información importante sobre problemas de seguridad. Si se hace caso omiso de las indicaciones de seguridad pueden producirse daños personales o materiales, funcionamiento anómalos y resultados incorrectos. Las indicaciones de seguridad se marcan con los textos y símbolos de advertencia siguientes:

Texto de advertencia

PELIGRO	Una situación de peligro con un nivel de riesgo alto que, si no se evita, provocará lesiones graves o incluso la muerte.
ADVERTENCIA	Una situación de peligro con un nivel de riesgo medio que, si no se impide, puede provocar lesiones graves o incluso la muerte.
ATENCIÓN	Una situación de peligro con un nivel de riesgo bajo que, si no se impide, puede provocar lesiones de carácter leve o medio.
AVISO	Una situación de peligro con un nivel de riesgo bajo que puede provocar daños en el equipo, otros daños materiales, errores de funcionamiento y resultados erróneos o pérdidas de datos.

Símbolos de advertencia



Peligro general



Aviso

2.2 Indicaciones de seguridad específicas del producto

Uso previsto

Este equipo está diseñado para su uso por personal debidamente formado. El instrumento se ha concebido para realizar tareas de pesaje.

Cualquier otro tipo de uso y funcionamiento que difiera de los límites de uso establecidos por Mettler-Toledo GmbH sin el consentimiento de Mettler-Toledo GmbH se considera no previsto.

Responsabilidades del propietario del instrumento

El propietario del instrumento es la persona que posee de forma legal el instrumento, así como la persona que lo utiliza o permite que otros lo utilicen, o quien la ley considere que es el operario del instrumento. Esta persona es responsable de velar por la seguridad de todos los usuarios del instrumento y de terceros.

Mettler-Toledo GmbH asume que el propietario del instrumento forma a los usuarios para usar de forma segura el mismo en el puesto de trabajo y para afrontar posibles peligros. Mettler-Toledo GmbH asume que el propietario del instrumento proporciona el equipo de protección necesario.

Avisos de seguridad



⚠️ ADVERTENCIA

Riesgo de muerte o de lesiones graves por descarga eléctrica

El contacto con piezas que lleven corriente eléctrica activa puede provocar lesiones o la muerte.

- 1 Utilice únicamente el cable de alimentación y el adaptador de CA/CC de METTLER TOLEDO diseñados para su instrumento.
- 2 Conecte el cable de alimentación a una toma de corriente con conexión a tierra.
- 3 Mantenga todas las conexiones y los cables eléctricos alejados de los líquidos y de la humedad.
- 4 Compruebe si existen desperfectos en los cables y el conector, y sustitúyalos en caso de que estén dañados.



AVISO

Daños en el instrumento o funcionamiento incorrecto debido al uso de piezas inapropiadas

- Utilice únicamente piezas de METTLER TOLEDO diseñadas para ser utilizadas con su instrumento.

En el manual de referencia puede consultar la lista de accesorios y piezas de repuesto.

3 Diseño y función

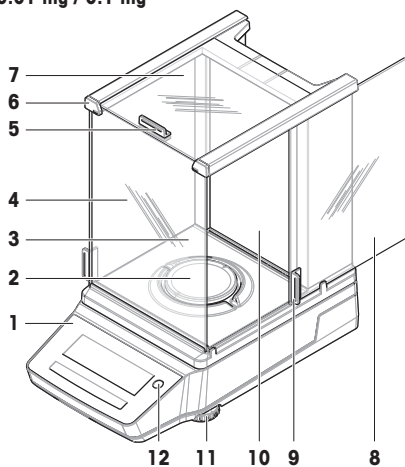


Para obtener más información, consulte el manual de referencia (RM).

www.mt.com/MA-RM

3.1 Vista general de las balanzas analíticas

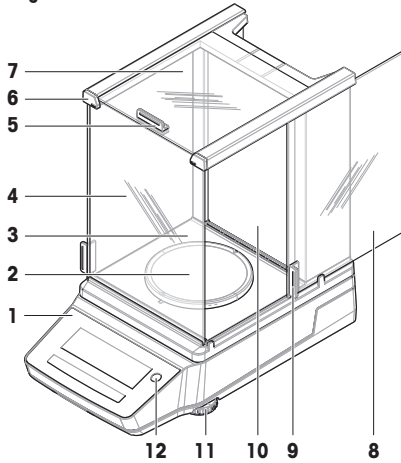
0.01 mg / 0.1 mg



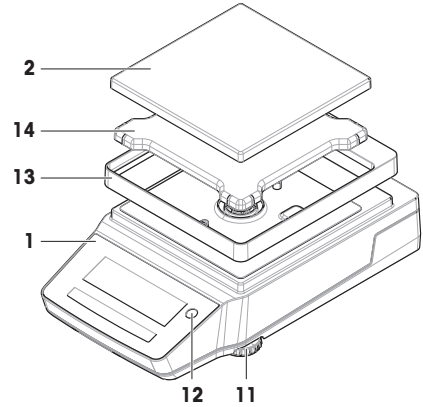
1	Terminal	7	Puerta superior del cortaaire
2	Plato de pesaje	8	Puerta lateral del cortaaire (derecha/izquierda)
3	Plato colector	9	Tirador de la puerta lateral
4	Panel frontal del cortaaire	10	Panel trasero del cortaaire
5	Tirador de la puerta superior	11	Patas de nivelación
6	QuickLock, panel frontal	12	Indicador de nivel

3.2 Vista general de las balanzas de precisión pequeñas

1 mg



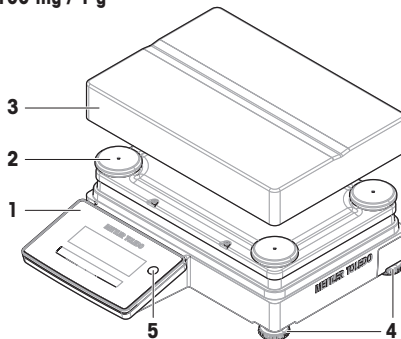
10 mg / 100 mg



1	Terminal	8	Puerta lateral del cortaaire (derecha/izquierda)
2	Plato de pesaje	9	Tirador de la puerta lateral
3	Plato colector	10	Panel trasero del cortaaire
4	Panel frontal del cortaaire	11	Patas de nivelación
5	Tirador de la puerta superior	12	Indicador de nivel
6	QuickLock, panel frontal	13	Elemento de protección del cortaaire
7	Puerta superior del cortaaire	14	Soporte del plato de pesaje

3.3 Vista general de las balanzas de precisión grandes

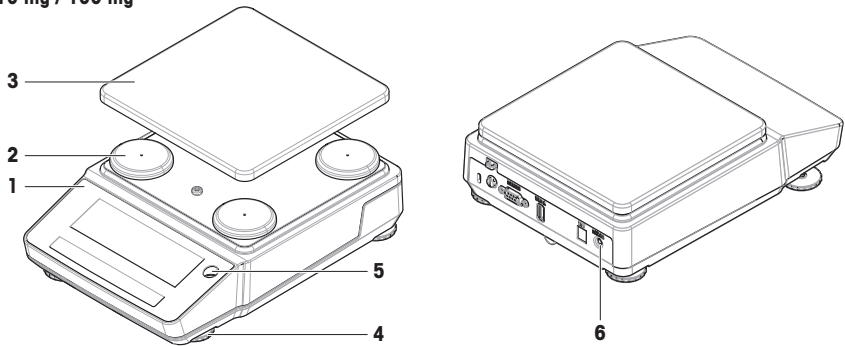
100 mg / 1 g



1	Terminal	4	Patas de nivelación
2	Apoyo de soporte del plato de pesaje	5	Indicador de nivel
3	Plato de pesaje		

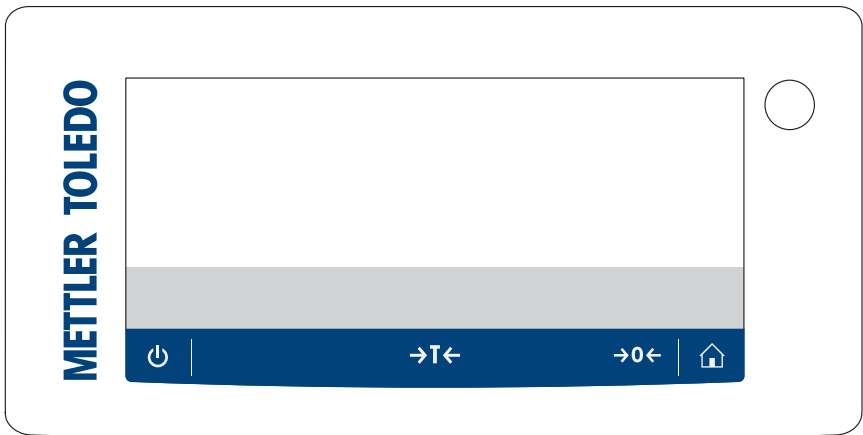
3.4 Vista general de las balanzas de precisión compactas


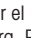


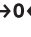

10 mg / 100 mg



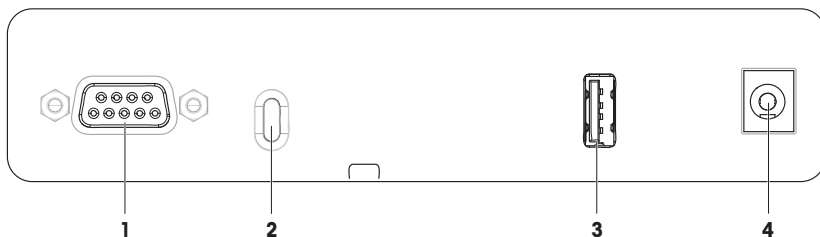
1	Terminal	4	Patas de nivelación
2	Apoyo de soporte del plato de pesaje	5	Indicador de nivel
3	Plato de pesaje	6	Interruptor de activación (modo de pila)

3.5 Vista general del terminal



	Nombre	Descripción
	En espera	Al pulsar el botón  , la balanza no se apaga del todo, sino que pasa al modo de espera. Para apagar la balanza por completo, es necesario desconectarla de la fuente de alimentación. [i] Nota No desconecte la balanza de la fuente de alimentación a menos que no vaya a utilizarla durante un periodo de tiempo prolongado. Después de encender el instrumento, deberá calentarse para poder ofrecer resultados exactos. [i] Nota Balanzas compactas solo en modo de pila: Al pulsar  , la balanza se apaga por completo. No hay modo de espera.
	Tara	Tara la balanza. Esta función es útil cuando el proceso de pesaje implica el uso de recipientes. Después de tarar la balanza, en la pantalla se muestra Net para indicar que todos los pesos visualizados son netos.
	Cero	Realiza la puesta a cero de la balanza. La balanza debe ponerse siempre a cero antes de iniciar el proceso de pesaje. Tras la puesta a cero, la balanza establece una nueva señal cero.
	Inicio	Para volver desde cualquier nivel del menú de configuración a la pantalla principal de pesaje de la última aplicación utilizada o configurada actualmente.

3.6 Vista general de las conexiones de la interfaz

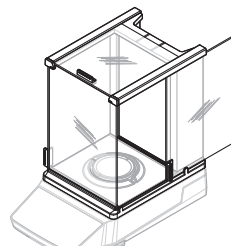


1	Interfaz serie RS232C	3	Puerto USB-A
2	Ranura para cable antifurto	4	Conector hembra para el adaptador de CA/CC

3.7 Descripción de los componentes

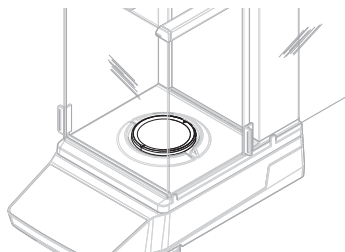
3.7.1 Cortaaire

El cortaaire protege el área de pesaje contra impactos ambientales, como las corrientes de aire o la humedad. Las puertas laterales y la puerta superior pueden abrirse de forma manual.



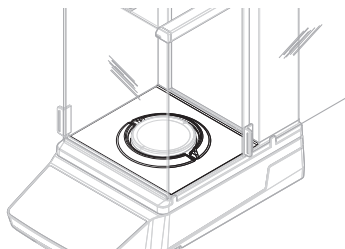
3.7.2 Plato de pesaje

El plato de pesaje es el receptor de carga que permite alojar el elemento de pesaje.



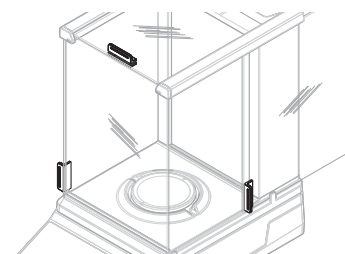
3.7.3 Plato colector

El plato colector está colocado debajo del plato de pesaje. El objetivo principal del plato colector es asegurar una limpieza rápida de la balanza.



3.7.4 Tirador de la puerta

Los tiradores de las puertas están montados en las puertas del cortacaire. Los tiradores se utilizan para abrir de forma manual las puertas laterales y la puerta superior del cortacaire.

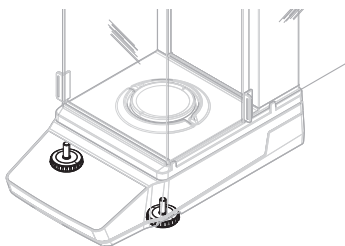


3.7.5 Patas de nivelación

La balanza se apoya sobre patas de altura regulable. Estas patas se utilizan para nivelar la balanza.

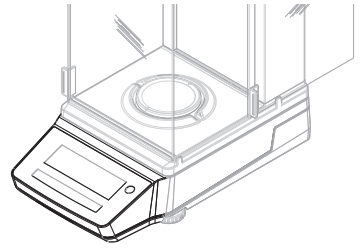
Nota

Las balanzas grandes y compactas tienen cuatro patas de nivelación.



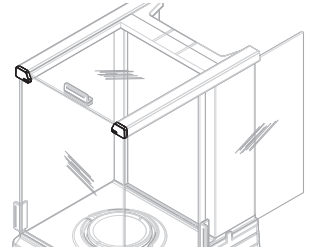
3.7.6 Terminal

El terminal está incorporado en la balanza y dispone de una pantalla LCD. El terminal y la plataforma de pesaje están protegidos por una cubierta reemplazable.



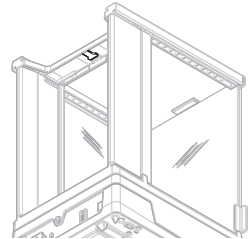
3.7.7 QuickLock para puertas y panel frontal

En función de la posición, QuickLock se utiliza para bloquear/desbloquear la puerta superior, las puertas laterales y el panel frontal del cortaaires.



3.7.8 Botón de desbloqueo del panel trasero

El botón de desbloqueo se utiliza para bloquear/desbloquear el panel trasero del cortaaires.



3.8 Interfaz de usuario









3.8.1 Descripción general de los apartados principales

La pantalla principal de pesaje (1) muestra los resultados de pesaje y proporciona información sobre el estado de la balanza. Las teclas de funcionamiento (2) son el principal elemento de navegación donde se puede acceder a todos los menús y configuraciones y seleccionarlos.



	Nombre	Descripción
1	Pantalla principal de pesaje	Muestra los resultados de pesaje y proporciona información sobre el estado de la balanza.
2	Teclas de funcionamiento	Proporciona acceso a los menús y funciones de la balanza.

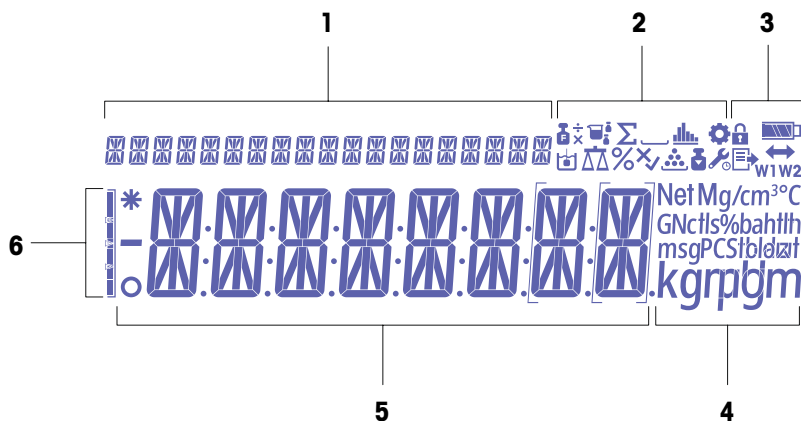
Teclas de funcionamiento

	Nombre	Descripción
	Configuración	Accede al menú de configuración.
	Aplicaciones	Accede al menú de aplicaciones.
	Anterior / Arriba / Aumentar	<ul style="list-style-type: none"> Se desplaza hacia arriba en una lista de temas. Cambia entre la unidad 1, la unidad 2 y la unidad de aplicación (si está disponible). Aumenta los números. Añade un peso recogido dentro de una aplicación.
	Siguiente / Abajo / Reducir	<ul style="list-style-type: none"> Se desplaza hacia abajo en una lista de temas. Cambia entre la unidad 1, la unidad 2 y la unidad de aplicación (si está disponible). Reduce los números.
	Cancelar	Cancela una tarea o sale del menú sin guardar.
	Aceptar	<ul style="list-style-type: none"> Accede al menú seleccionado. Inicia la aplicación seleccionada. Confirma la entrada.
	Ajuste	Ejecuta el procedimiento de ajuste predeterminado.
	Imprimir / Transferir	<ul style="list-style-type: none"> Imprime el valor en pantalla. Imprime la configuración del menú de usuario activo. Transfiere datos a la ubicación de destino predefinida.

Vea también a este respecto

 Pantalla principal de pesaje ▶ página 13





3.8.2 Pantalla principal de pesaje















1	Texto de ayuda	4	Iconos de la unidad
2	Iconos de aplicación	5	Valor de peso / etiqueta de menú / etiqueta de parámetro / valor de parámetro
3	Iconos de estado	6	Ayuda para el pesaje

Iconos de aplicación

Icono	Nombre	Descripción
	Aplicación "Pesaje con factor de división"	La aplicación "Pesaje con factor de división" divide un factor predeterminado por el valor del peso (en gramos): resultado = factor / peso El resultado se redondea a un número predeterminado de decimales.
	Aplicación "Pesaje con factor de multiplicación"	La aplicación "Pesaje con factor de multiplicación" multiplica el valor del peso (en gramos) por un factor predeterminado: resultado = factor × peso El resultado se redondea a un número predeterminado de decimales.
	Aplicación "Formulación"	La aplicación "Formulación" (Total neto) tiene varios propósitos. <ul style="list-style-type: none"> • Pesar (añadir y guardar) hasta 999 pesos de componentes distintos y mostrar el total. Si hay una impresora conectada, los pesos de los componentes se imprimen por separado y como un total. • Tarrar/pretarar y guardar hasta 999 pesos de contenedores y mostrar el total. Si hay una impresora conectada, las taras se imprimen por separado y como un total. • Completar la suma de todos los valores de peso netos de los componentes añadiendo otro componente hasta un valor mayor.
	Aplicación "Totalización"	La aplicación "Totalización" permite pesar distintas muestras para sumar sus valores de peso y calcular el total. Se pueden guardar de 1 a 999 muestras.
	Aplicación "Estadísticas"	La aplicación "Estadísticas" permite generar estadísticas de una serie de valores de pesaje. Son posibles los valores entre 1 y 999.
	Aplicación "Pesaje dinámico"	La aplicación "Pesaje dinámico" permite determinar el peso de muestras inestables o pesar en condiciones inestables del entorno. La balanza calcula el peso como el promedio de un número de operaciones de pesaje durante un tiempo dado.

	Nombre	Descripción
	Aplicación Densidad	La aplicación Densidad permite determinar la densidad de cuerpos sólidos y líquidos. La determinación de la densidad se lleva a cabo siguiendo el "principio de Arquímedes", que afirma que un cuerpo sumergido en un líquido experimenta una pérdida aparente de peso igual al peso del líquido que desplaza.
	Aplicación Pesaje	La aplicación Pesaje se usa para tareas de pesaje sencillas o para realizar una serie de mediciones.
	Aplicación Comprobar pesaje	La aplicación Comprobar pesaje permite ver la desviación del peso de una muestra dentro de un límite de tolerancia con respecto a un peso objetivo de referencia.
	Aplicación Recuento	La aplicación Recuento permite determinar el número de piezas colocadas en el plato de pesaje.

Iconos de estado

	Nombre	Descripción
	Configuración del menú activada	La configuración del menú está activada y puede adaptarse.
	Configuración del menú bloqueada	La configuración del menú está bloqueada y no puede adaptarse.
	Ajuste interno iniciado	Se ha iniciado el ajuste interno de la balanza.
	Recordatorio de mantenimiento	Es necesario realizar el siguiente mantenimiento.
	Publicación	Se están publicando datos.
	Estado de carga de la pila	Solo balanzas compactas: Indica el nivel de carga de la pila. <ul style="list-style-type: none"> • : Pila llena • : Pila 3/4 llena • : Pila 1/2 llena • : Pila 1/4 llena • : Pila descargada
	Conectividad	Conexión de datos a otro dispositivo.
W1	Rango de pesaje 1	El rango de pesaje 1 está activo.
W2	Rango de pesaje 2	El rango de pesaje 2 está activo.
Net	Valores de peso neto	«Net» indica que todos los valores de peso mostrados son valores netos.
G	Valores de peso bruto	Se muestran los valores de peso bruto.
M	Valor guardado (Memoria)	Se muestra un valor almacenado en la memoria de la balanza.

Iconos de etiqueta

	Nombre	Descripción
*	Valor calculado	Indica que se ha calculado el valor mostrado.

	Nombre	Descripción
o	Valor inestable	Indica que el valor mostrado es inestable, lo que significa que cambia con el tiempo.
[]	Dígitos no certificados	Los corchetes indican cifras no certificadas (solo modelos de balanza aprobados).

4 Instalación y puesta en marcha

4.1 Selección de la ubicación

Una balanza es un instrumento de precisión sensible. La ubicación en la que se instale afectará en gran medida a la exactitud de los resultados de pesaje.

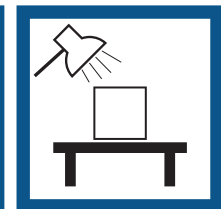
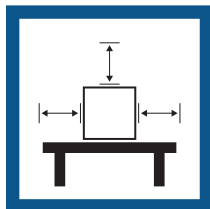
Requisitos de la ubicación

Colocación en interiores sobre una mesa estable

Asegúrese de que haya espacio suficiente

Nivele el instrumento

Proporcione una iluminación adecuada

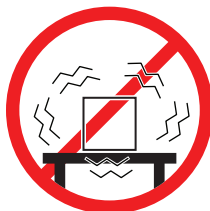
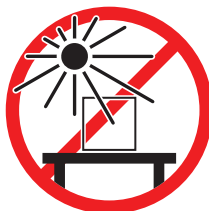


Evite la exposición solar directa

Evite las vibraciones

Evite las corrientes de aire fuertes

Evite los cambios de temperatura



Tenga en cuenta las condiciones ambientales. Consulte "Características técnicas".

Separación suficiente para balanzas: >15 cm alrededor del instrumento

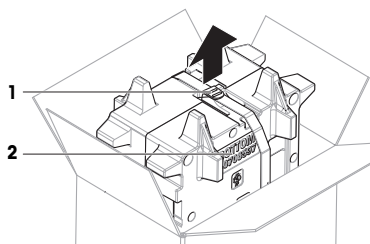
4.2 Desembalaje de la balanza

Compruebe si el paquete, los elementos del embalaje y los componentes suministrados presentan daños. Si algún componente está dañado, póngase en contacto con su representante de mantenimiento de METTLER TOLEDO.

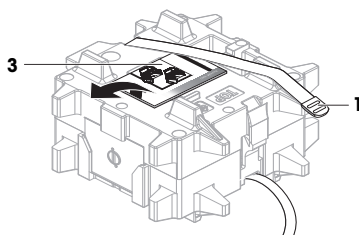
Nota

En función del modelo de la balanza, los elementos de embalaje y los componentes pueden tener un aspecto diferente.

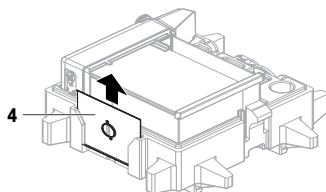
- 1 Abra la caja y saque el paquete con ayuda de la banda de sujeción (1).
- 2 Coloque el paquete sobre una superficie nivelada con la inscripción BOTTOM (2) hacia abajo.



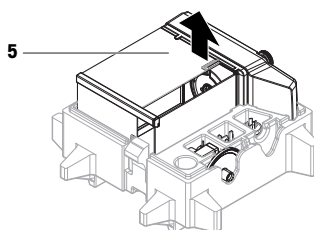
- 3 Abra la banda de sujeción (1) y saque el manual de usuario (3).



- 4 Retire la parte superior del embalaje y desembale con cuidado el plato colector (4).



- 5 Desembale con cuidado la balanza (5) y el resto de elementos.
- 6 Retire la bolsa protectora.
- 7 Mantenga la cubierta de protección instalada en la plataforma de pesaje y en el terminal.
- 8 Guarde todas las partes del embalaje en un lugar seguro para su uso en el futuro.
➔ La balanza está lista para la instalación.



4.3 Instalación

Nota

En función del modelo de la balanza, los componentes pueden tener un aspecto diferente.

4.3.1 Balanzas con cortaaire



⚠ ATENCIÓN

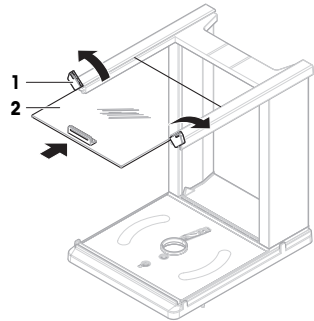
Lesiones debidas a objetos afilados o cristales rotos

- Los componentes del instrumento, por ejemplo, el vidrio, pueden romperse y provocar lesiones.
- Manipule siempre los componentes con concentración y cuidado.

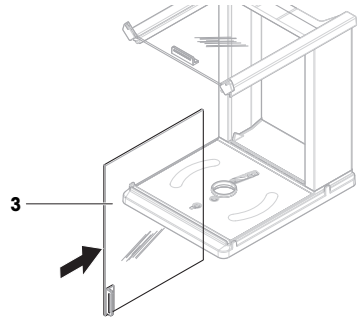
📌 Nota

Omita los pasos 1 - 5 cuando desembale la balanza por primera vez o si el cortaaire ya está ensamblado y montado en la plataforma de pesaje.

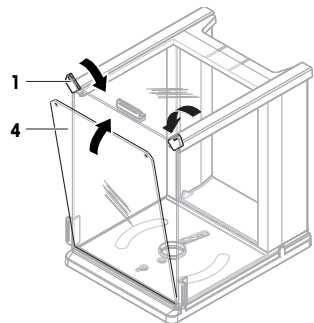
- 1 Monte el cortaaire: Gire el QuickLock (1, derecho, izquierdo) e introduzca la puerta superior (2).



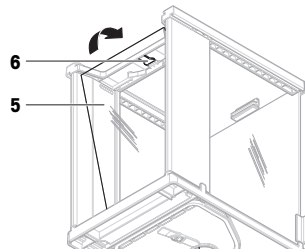
- 2 Introduzca la puerta lateral (3) (derecha, izquierda).



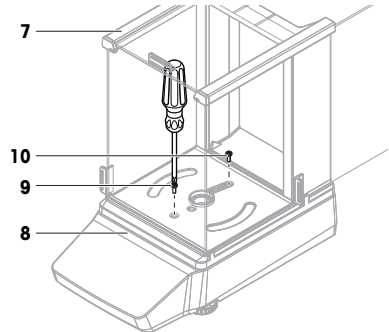
- 3 Coloque el panel frontal (4) y, a continuación, gire el QuickLock (1, derecho, izquierdo) para fijar el panel en su lugar.



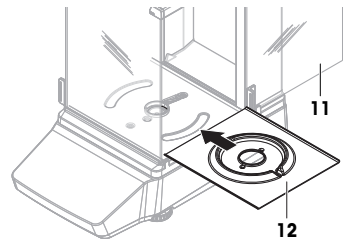
- 4 Vuelva a colocar el panel trasero (5). Asegúrese de que el botón de desbloqueo (6) encaje.



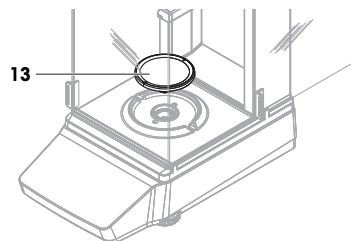
- 5 Fije el cortaaíres (7) a la plataforma de pesaje (8) apretando el tornillo delantero (9) y el trasero (10) con un destornillador Phillips.



- 6 Abra por completo la puerta lateral (11).
7 Coloque el plato colector (12).



- 8 Instale el plato de pesaje (13).
→ La balanza está lista para utilizarse.



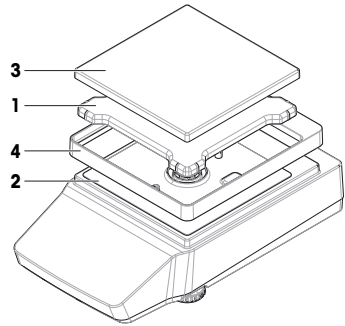
4.3.2 Balanzas sin cortaaies

- 1 Coloque el soporte del plato de pesaje (1) sobre la plataforma de pesaje (2).

[i] Nota

Para proteger la balanza, mantenga la cubierta de protección instalada en la plataforma de pesaje (2).

- 2 Coloque el plato de pesaje (3) sobre su soporte (1).
 - 3 Coloque el elemento de protección cortaaies (4) sobre la plataforma de pesaje (2).
- ➔ La balanza está lista para utilizarse.



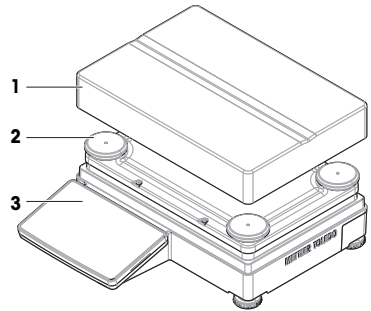
4.3.3 Balanzas grandes

- Coloque el plato de pesaje (1) sobre los apoyos de soporte (2).

[i] Nota

Para proteger la balanza, mantenga la cubierta de protección instalada en el terminal (3).

➔ La balanza está lista para utilizarse.



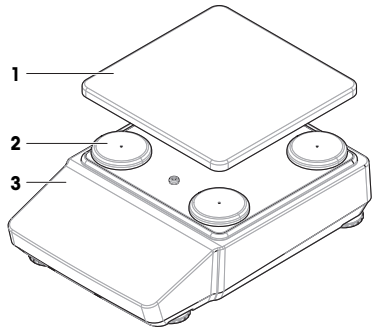
4.3.4 Balanzas compactas

- Coloque el plato de pesaje (1) sobre los apoyos de soporte (2).

[i] Nota

Para proteger la balanza, mantenga la cubierta de protección instalada en la plataforma de pesaje (3).

➔ La balanza está lista para utilizarse.



4.4 Puesta en marcha

4.4.1 Conexión de la balanza



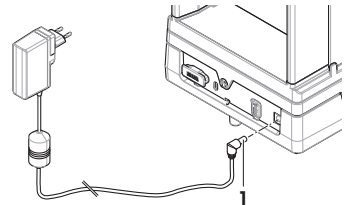
⚠ ADVERTENCIA

Riesgo de muerte o de lesiones graves por descarga eléctrica

El contacto con piezas que lleven corriente eléctrica activa puede provocar lesiones o la muerte.

- 1 Utilice únicamente el cable de alimentación y el adaptador de CA/CC de METTLER TOLEDO diseñados para su instrumento.
- 2 Conecte el cable de alimentación a una toma de corriente con conexión a tierra.
- 3 Mantenga todas las conexiones y los cables eléctricos alejados de los líquidos y de la humedad.
- 4 Compruebe si existen desperfectos en los cables y el conector, y sustitúyalos en caso de que estén dañados.

- 1 Instale los cables de modo que no puedan resultar dañados ni interferir en el funcionamiento.
- 2 Inserte el conector del adaptador de corriente CA/CC (1) en la toma de alimentación del instrumento.
- 3 Inserte el enchufe del cable de alimentación en una toma eléctrica con conexión a tierra a la que se pueda acceder fácilmente.
➔ La balanza se enciende automáticamente.



i Nota

No conecte el instrumento a una toma de corriente controlada con un interruptor. Después de encender el instrumento, deberá calentarse para poder ofrecer resultados exactos.

Vea también a este respecto

🔗 Características generales ▶ página 32

4.4.2 Encendido de la balanza

Cuando se conecta a la fuente de alimentación, la balanza se enciende automáticamente.

Aclimatación y calentamiento

Antes de que la balanza pueda ofrecer resultados fiables, deberá:

- aclimatarse a la temperatura ambiente
- calentarse conectándose a la fuente de alimentación

El tiempo de aclimatación y el tiempo de calentamiento de las balanzas pueden encontrarse en «Características generales».

i Nota

Cuando la balanza sale del modo en espera, estará lista para su uso.

Vea también a este respecto

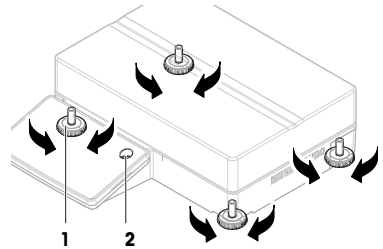
- 🔗 Características generales ▶ página 32
- 🔗 Entrada/salida del modo de espera ▶ página 23
- 🔗 Entrada/salida del modo de hibernación ▶ página 23
- 🔗 Apagado de la balanza ▶ página 23

4.4.3 Nivelación de la balanza

Para obtener unos resultados de pesaje precisos y reproducibles, es importante que el equipo se posicione de manera totalmente horizontal y estable.

4.4.3.1 Nivelación de balanzas grandes

- 1 Atornille por completo todas las patas de nivelación.
- 2 Desatornille todas las patas de nivelación con dos o tres vueltas excepto la pata de nivelación trasera izquierda.
- 3 Gire las patas de nivelación (1) hasta que la burbuja de aire se sitúe en el centro del indicador de nivel (2). Continúe como se muestra en el siguiente ejemplo.
- 4 Desatornille la pata de nivelación trasera izquierda hasta que entre en contacto con la superficie de la mesa.
 - ➔ La balanza está nivelada y apoyada sobre las cuatro patas de nivelación.



Ejemplo

Burbuja de aire en la posición de las 12 en punto:



Gire ambas patas delanteras hacia la derecha.
Gire la pata trasera derecha hacia la izquierda.

Burbuja de aire en la posición de las 3 en punto:



Gire la pata delantera izquierda en el sentido de las agujas del reloj y la pata delantera derecha en el sentido contrario.
Gire la pata trasera derecha hacia la izquierda.

Burbuja de aire en la posición de las 6 en punto:

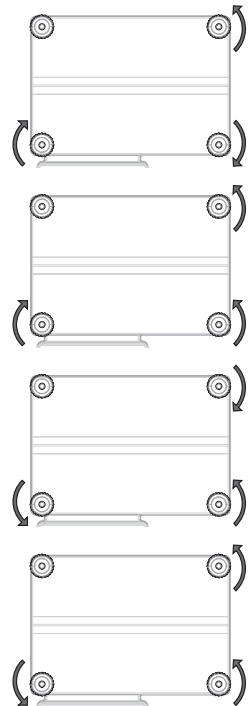


Gire ambas patas delanteras hacia la izquierda.
Gire la pata trasera derecha hacia la derecha.

Burbuja de aire en la posición de las 9 en punto:

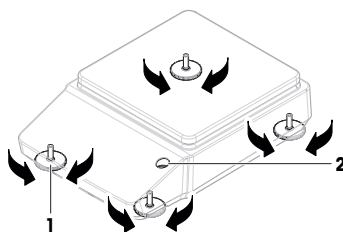


Gire ambas patas delanteras hacia la izquierda.
Gire la pata trasera derecha hacia la izquierda.



4.4.3.2 Nivelación de balanzas compactas

- 1 Atornille por completo las dos patas de nivelación traseras.
- 2 Desatornille las dos patas de nivelación delanteras con dos o tres vueltas.
- 3 Gire las patas de nivelación delanteras (1) hasta que la burbuja de aire se sitúe en el centro del indicador de nivel (2). Continúe como se muestra en el siguiente ejemplo.
- 4 Desatornille las dos patas de nivelación traseras hasta que hagan contacto con la superficie de la mesa.



➔ La balanza está nivelada y apoyada sobre las cuatro patas de nivelación.

Ejemplo

Burbuja de aire en la posición de las 12 en punto:



Gire ambas patas hacia la derecha.



Burbuja de aire en la posición de las 3 en punto:



Gire la pata izquierda hacia la derecha y la derecha hacia la izquierda.



Burbuja de aire en la posición de las 6 en punto:



Gire ambas patas hacia la izquierda.



Burbuja de aire en la posición de las 9 en punto:

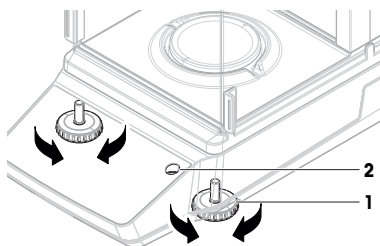


Gire la pata izquierda hacia la izquierda y la derecha hacia la derecha.



4.4.3.3 Nivelación del resto de balanzas

- Gire las patas de nivelación (1) hasta que la burbuja de aire se sitúe en el centro del indicador de nivel (2).

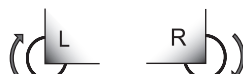


Ejemplo

Burbuja de aire en la posición de las 12 en punto:



Gire ambas patas hacia la derecha.



Burbuja de aire en la posición de las 3 en punto:



Gire la pata izquierda hacia la derecha y la derecha hacia la izquierda.



Burbuja de aire en la posición de las 6 en punto:



Gire ambas patas hacia la izquierda.



Burbuja de aire en la posición de las 9 en punto:



Gire la pata izquierda hacia la izquierda y la derecha hacia la derecha.



4.4.4 Realización de un ajuste interno

- 1 En la pantalla principal de pesaje, pulse .
 - ➔ Aparece ADJ.INT.
- 2 Pulse .
 - ➔ Se realiza el ajuste.
 - ➔ Aparece la pantalla de resultados del ajuste.
- 3 Pulse .
 - ➔ La balanza está lista.

4.4.5 Entrada/salida del modo de espera

- 1 Para entrar en el modo de espera, pulse durante menos de 2 s.
 - ➔ El brillo de la pantalla se reduce y la información de la pantalla se hace visible. La balanza sigue encendida.
- 2 Para salir del modo de espera, pulse .
 - También puede pulsar el plato de pesaje o colocar una pesa sobre él.
 - ➔ La pantalla está encendida.

4.4.6 Entrada/salida del modo de hibernación

Nota

Solo es relevante para balanzas compactas en modo de pila.

- 1 Para entrar en el modo de hibernación, pulse durante menos de 2 s.
 - ➔ La pantalla se apaga. La balanza está en modo de hibernación.
- 2 Para salir del modo de hibernación, pulse el interruptor de activación situado en la parte posterior de la balanza.
 - ➔ La pantalla está encendida.

4.4.7 Apagado de la balanza

Para apagar la balanza por completo, es necesario desconectarla de la fuente de alimentación. Al pulsar el botón la balanza solo pasa al modo de espera.

Nota

Si la balanza ha permanecido apagada por completo durante cierto tiempo, deberá calentarse antes de poder utilizarla.

Vea también a este respecto

- 🔗 Encendido de la balanza ▶ página 20
- 🔗 Entrada/salida del modo de espera ▶ página 23
- 🔗 Entrada/salida del modo de hibernación ▶ página 23

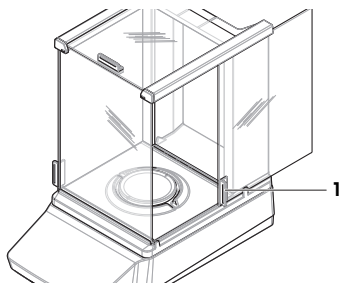
4.5 Realización de un pesaje sencillo

📌 Nota

Se utiliza una balanza con cortaaire para explicar el procedimiento. En el caso de las balanzas sin cortaaire, omita los pasos de las instrucciones relativos al cortaaire.

4.5.1 Apertura y cierre de las puertas del cortaaire

- Abra la puerta manualmente con el tirador de la puerta (1).



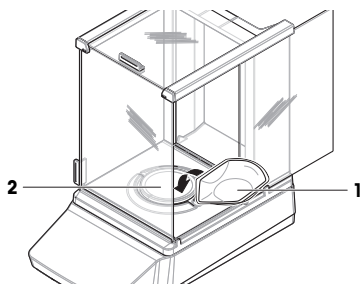
4.5.2 Puesta a cero de la balanza

- 1 Abra el cortaaire.
- 2 Vacíe el plato de pesaje.
- 3 Cierre el cortaaire.
- 4 Pulse **→0←** para poner a cero la balanza.
 - ➔ La balanza se pone a cero.

4.5.3 Tara de la balanza

Si se utiliza un recipiente de muestra, se deberá tarar la balanza.

- La balanza se pone a cero.
- 1 Coloque el recipiente de la muestra (1) sobre el plato de pesaje (2).
 - 2 Pulse **→T←** para tarar la balanza.
 - ➔ La balanza se tara. Aparece el icono **Net**.



4.5.4 Realización de un pesaje

- 1 Abra el cortaaire.
- 2 Coloque el objeto a pesar en el recipiente de muestra.
- 3 Cierre el cortaaire.
- 4 Espere a que desaparezca el detector de inestabilidad **○**.
 - ➔ Se muestra el resultado.

- 5 Opcional si hay una impresora conectada: Pulse  para imprimir el resultado de pesaje.

4.6 Uso de pilas (balanza compacta)

La balanza también puede funcionar con pilas. En condiciones normales de funcionamiento, la balanza funciona independientemente de la fuente de alimentación de CA entre 8 y 15 horas (con pilas alcalinas).

Inmediatamente después de una interrupción de la fuente de alimentación de CA, la balanza cambia automáticamente al funcionamiento con pilas. Esto puede suceder, por ejemplo, al desconectar el cable de alimentación o en caso de un fallo de alimentación. Cuando se restablece la fuente de alimentación de CA, la balanza vuelve automáticamente al funcionamiento con CA.

La balanza utiliza ocho pilas AA de serie (LR6). Se prefieren pilas alcalinas.

Pueden utilizarse pilas recargables. **No** es posible cargar pilas dentro de la balanza.

Cuando la balanza funciona con pilas, en la pantalla se ilumina el símbolo de la pila. El número de segmentos mostrados en el símbolo de la pila indica el nivel de carga. Cuando las pilas están prácticamente descargadas, el símbolo de la pila parpadea.

Vea también a este respecto

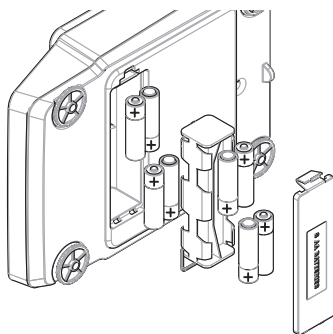
 Pantalla principal de pesaje ▶ página 13

4.6.1 Introducción o sustitución de las pilas

- Lea y siga todas las advertencias e instrucciones suministradas por el fabricante de las baterías.
- No mezcle distintos tipos o marcas de baterías. El rendimiento de las baterías varía según el fabricante.
- Extraiga las baterías de la balanza en caso de que esta no vaya a utilizarse durante un periodo prolongado.
- Elimine las baterías correctamente, según las normativas locales.

Realice el procedimiento siguiente:

- Desactive la balanza.
 - Retire el plato de pesaje.
- 1 Con cuidado, apoye la balanza sobre su costado.
 - 2 Abra la tapa del compartimento de las pilas y retirela.
 - 3 Inserte o sustituya las pilas con la polaridad correcta, tal como se indica en el soporte de las pilas.
 - 4 Inserte la tapa del compartimento de las pilas y ciérrela.
 - 5 Vuelva a colocar la balanza con cuidado en su posición normal.
 - 6 Vuelva a instalar todos los componentes en el orden inverso.



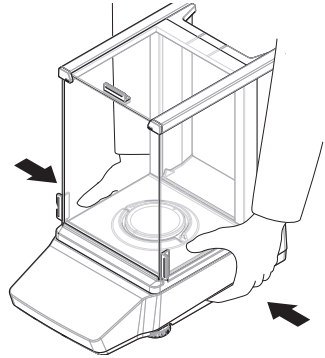
4.7 Transporte, embalaje y almacenamiento

4.7.1 Traslado de la balanza a corta distancia

- 1 Desconecte el adaptador de CA/CC y desenchufe todos los cables de la interfaz.
- 2 Sujete la balanza con las dos manos y llévela en posición horizontal hasta el lugar de destino. Tenga en cuenta los requisitos de la ubicación.

Si desea poner en funcionamiento la balanza, proceda como se indica a continuación:

- 1 Realice la conexión en orden inverso.
- 2 Deje tiempo suficiente para que la balanza se caliente.
- 3 Nivele la balanza.
- 4 Efectúe un ajuste interno.



Vea también a este respecto

- 🔗 Selección de la ubicación ▶ página 15
- 🔗 Encendido de la balanza ▶ página 20
- 🔗 Nivelación de la balanza ▶ página 21
- 🔗 Realización de un ajuste interno ▶ página 23

4.7.2 Traslado de la balanza a larga distancia

METTLER TOLEDO recomienda utilizar el embalaje original para el transporte o el envío a larga distancia de la balanza o de sus componentes. Los elementos del embalaje original se han diseñado específicamente para la balanza y sus componentes, por lo que garantizan la mejor protección durante el transporte.

Vea también a este respecto

- 🔗 Desembalaje de la balanza ▶ página 15

4.7.3 Embalaje y almacenamiento

Embalaje de la balanza

Guarde todas las partes del embalaje en un lugar seguro. Los elementos del embalaje original se han diseñado específicamente para la balanza y sus componentes, por lo que aseguran la mejor protección durante su transporte y almacenamiento.

Almacenamiento de la balanza

Almacene la balanza solo en las siguientes condiciones:

- en un espacio interior y en su embalaje original;
- de acuerdo con las condiciones ambientales, consulte los "Datos técnicos".

i Nota

Si la balanza se almacena durante un periodo superior a seis meses, puede que la batería recargable esté descargada (solo se perderán los ajustes de fecha y hora).

Vea también a este respecto

- 🔗 Características técnicas ▶ página 32

5 Mantenimiento

Para garantizar la funcionalidad de la balanza y la exactitud de los resultados de pesaje, el usuario debe llevar a cabo una serie de acciones de mantenimiento.



Para obtener más información, consulte el manual de referencia (RM).

► www.mt.com/MA-RM

5.1 Tareas de mantenimiento

Acción de mantenimiento	Intervalo recomendado	Observaciones
Realización de un ajuste interno	<ul style="list-style-type: none">• Cada día• Después de la limpieza• Después de la nivelación• Después de cambiar la ubicación	Consulte "Realización de un ajuste interno"
Realización de tests rutinarios (ensayo de excentricidad de carga, test de repetibilidad, test de sensibilidad). METTLER TOLEDO recomienda realizar, como mínimo, un test de sensibilidad.	<ul style="list-style-type: none">• Después de la limpieza• Después del montaje de la balanza• Después de una actualización de software• En función de sus normas internas (PNT)	consulte "Tests" en el manual de referencia
Limpieza	<ul style="list-style-type: none">• Después de cada uso• En función del grado de contaminación• En función de sus normas internas (PNT)	consulte "Limpieza"
Actualización del software	<ul style="list-style-type: none">• En función de sus normas internas (PNT).• Tras una nueva actualización del software.	consulte "Actualización de software" en el manual de referencia

Vea también a este respecto

🔗 Realización de un ajuste interno ► página 23

🔗 Limpieza ► página 27

5.2 Limpieza

5.2.1 Desmontaje para la limpieza

📘 Nota

En función del modelo de la balanza, los componentes pueden tener un aspecto diferente.

📘 Nota

En la mayoría de los casos, no es necesario retirar la cubierta de protección para limpiar la balanza.

5.2.1.1 Balanzas con cortaaíres



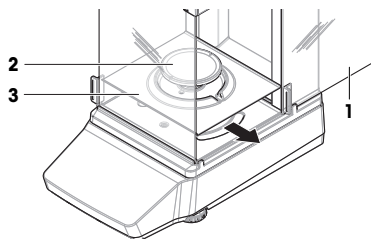
⚠️ ATENCIÓN

Lesiones debidas a objetos afilados o cristales rotos

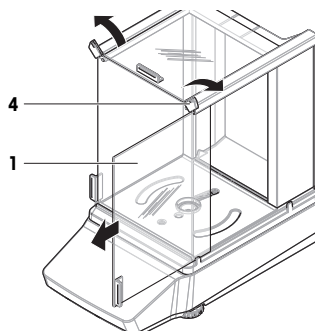
Los componentes del instrumento, por ejemplo, el vidrio, pueden romperse y provocar lesiones.

- Manipule siempre los componentes con concentración y cuidado.

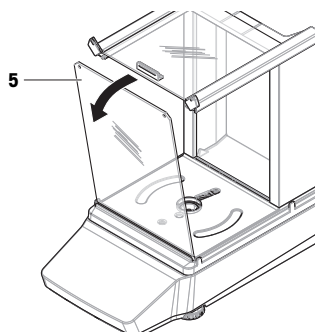
- 1 Abra por completo la puerta lateral (1).
- 2 Retire el plato de pesaje (2) y el plato colector (3).



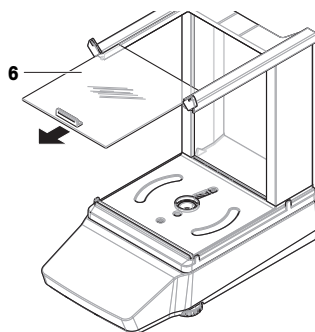
- 3 Gire el QuickLock (4) y tire de la puerta lateral (1) hacia fuera para retirarla (derecha, izquierda).



- 4 Incline el panel frontal (5) hacia delante y levántelo para retirarlo.



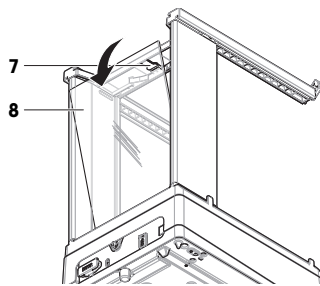
- 5 Tire de la puerta superior (6) hacia fuera para retirarla.



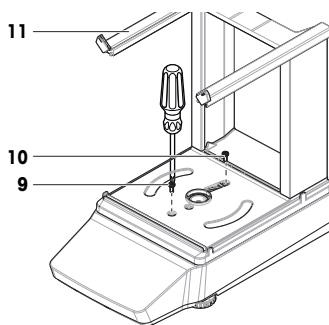
- 6 Pulse el botón de desbloqueo (7) e incline el panel trasero (8) para retirarlo.

Nota

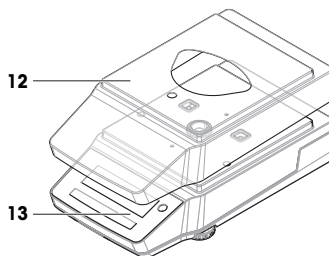
Opcional, en caso necesario: retire la cubierta de protección para limpiarla como se describe a continuación.



- 7 Retire el tornillo delantero (9) y el tornillo trasero (10) con un destornillador Phillips.
- 8 Retire el cortaaíres (11).



- 9 Retire la cubierta de protección (12) de la plataforma de pesaje (13).

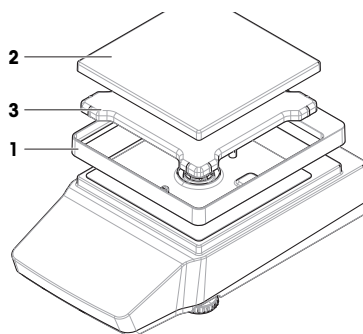


5.2.1.2 Balanzas sin cortaaíres

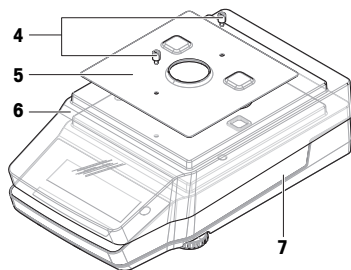
- 1 Retire el elemento de protección del cortaaíres (1).
- 2 Retire el plato de pesaje (2).
- 3 Retire el soporte del plato de pesaje (3).

Nota

Opcional, en caso necesario: retire la cubierta de protección para limpiarla como se describe a continuación.

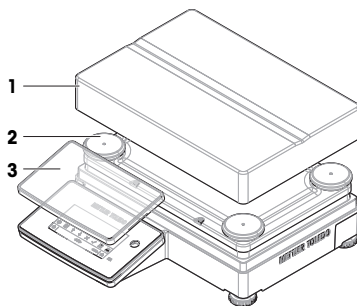


- 4 Retire los tornillos (4) para retirar la placa CEM (5).
- 5 Retire la cubierta de protección (6) de la plataforma de pesaje (7).



5.2.1.3 Balanzas grandes

- 1 Retire el plato de pesaje (1).
- 2 Retire los apoyos de soporte (2).
- 3 Opcional, en caso necesario: Retire la cubierta de protección (3) para la limpieza.

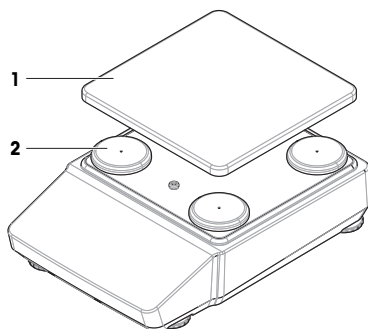


5.2.1.4 Balanzas compactas

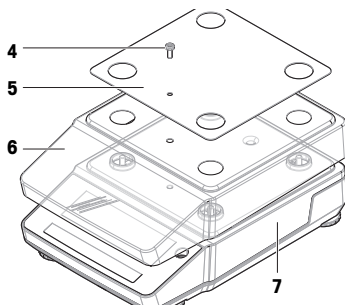
- 1 Retire el plato de pesaje (1).
- 2 Retire los apoyos de soporte (2).

Nota

Opcional, en caso necesario: retire la cubierta de protección para limpiarla como se describe a continuación.



- 3 Retire el tornillo (4) para retirar la placa CEM (5).
- 4 Retire la cubierta de protección (6) de la plataforma de pesaje (7).



5.2.2 Limpieza de la balanza



AVISO

Daños en el instrumento por el uso de métodos de limpieza inadecuados

Si entra líquido en la carcasa, el instrumento puede sufrir daños. La superficie del instrumento puede sufrir daños por el uso de determinados productos de limpieza, disolventes o abrasivos.

- 1 No pulverice ni vierta líquido sobre el instrumento.
- 2 Utilice únicamente los productos de limpieza especificados en el manual de referencia (MR) del instrumento o en la guía "8 Steps to a Clean Balance".
- 3 Utilice únicamente un paño ligeramente humedecido y sin pelusas o un pañuelo desechable para limpiar el instrumento.
- 4 Limpie cualquier derrame de inmediato.



Para obtener más información sobre la limpieza de una balanza, consulte "8 Steps to a Clean Balance".

► www.mt.com/lab-cleaning-guide

Limpieza alrededor de la balanza

- Elimine toda la suciedad o el polvo alrededor de la balanza para evitar una nueva contaminación.

Limpieza del terminal

- Limpie el terminal con un paño húmedo o un pañuelo desechable y un producto de limpieza suave.

Limpieza de las piezas desmontables

- Limpie las piezas desmontadas con un paño húmedo o un pañuelo desechable y un detergente suave, o límpielas en un lavavajillas a una temperatura máxima de 80 °C.

Limpieza de la unidad de pesaje

- 1 Desconecte la balanza del adaptador de CA/CC.
- 2 Utilice un paño sin pelusas y humedecido con un detergente suave para limpiar la superficie de la balanza.
- 3 En primer lugar, quite el polvo o la suciedad con un pañuelo desechable.
- 4 Retire cualquier sustancia pegajosa con un paño húmedo sin pelusas y un disolvente suave (por ejemplo, isopropanol o etanol al 70 %).

5.2.3 Puesta en marcha después de la limpieza

- 1 Vuelva a montar la balanza.
- 2 Compruebe que las puertas del cortaaire (parte superior y laterales) se abran y cierren con normalidad (si procede).
- 3 Vuelva a conectar la balanza al adaptador de CA/CC.
- 4 Compruebe la nivelación y nivele la balanza si fuera necesario.
- 5 Respete el tiempo de calentamiento especificado en la ficha técnica.
- 6 Efectúe un ajuste interno.
- 7 Realice una prueba rutinaria de acuerdo con las normas internas de su empresa. METTLER TOLEDO recomienda realizar un test de sensibilidad después de limpiar la balanza.
- 8 Pulse **→0←** para poner a cero la balanza.
 - ➔ La balanza está lista para utilizarse.

Vea también a este respecto

- ✎ Nivelación de la balanza ▶ página 21
- ✎ Características técnicas ▶ página 32
- ✎ Realización de un ajuste interno ▶ página 23


5.3 Mantenimiento

El mantenimiento periódico realizado por un técnico autorizado garantiza la fiabilidad durante muchos años. Póngase en contacto con su representante de METTLER TOLEDO para informarse acerca de las opciones de mantenimiento disponibles.


6 Características técnicas

6.1 Características generales

Fuente de alimentación

Adaptador de CA/CC:	Entrada: 100–240 V CA ± 10 %, 50–60 Hz, 0,5 A Salida: 12 V CC, 1 A, LPS
Consumo de energía de la balanza:	12 V CC ± 10 %, 0,5 A
Polaridad:	

Fuente de alimentación (opcional)

Adaptador de CA/CC:	Entrada: 100–240 V CA ± 10 %, 50–60 Hz, 0,8 A, 61–80 VA Salida: 12 V CC, 2,5 A, LPS
Cable para el adaptador de CA/CC:	3 polos, con enchufe específico del país
Consumo de energía de la balanza:	12 V CC ± 10 %, 0,5 A
Polaridad:	

Protección y estándares

Categoría de sobrevoltaje:	II
Grado de contaminación:	2
Código de protección contra entrada:	IP43 (solo balanzas de precisión)

Nota

El grado de protección indicado solo se logra cuando la balanza está lista para el funcionamiento. La cubierta de protección debe estar instalada y las tapas deben cubrir las conexiones de interfaz.

Estándares para la seguridad y CEM:	Consulte la Declaración de conformidad
Ámbito de aplicación:	Utilícese solo en lugares secos en interiores

Condiciones ambientales

Los valores límite se aplican cuando la balanza se utiliza bajo las siguientes condiciones ambientales:

Altura sobre el nivel del mar:	Hasta 5000 m
Temperatura ambiente:	De +10 a +30 °C
Cambio de temperatura, máx.:	5 °C/h
Humedad relativa:	30-70 %, sin condensación
Tiempo de aclimatación:	Recomendación: Hasta 4 horas para balanzas de precisión o hasta 8 horas para balanzas analíticas. Estos valores se aplican después de colocar la balanza en el mismo lugar en el que se pondrá en funcionamiento.

Nota

El tiempo de aclimatación depende de la legibilidad de la balanza y de las condiciones ambientales.

Tiempo de calentamiento: Al menos **30 minutos** para las balanzas de precisión o **60 minutos** para las balanzas analíticas. Estos valores se aplican después de conectar la balanza a la fuente de alimentación. Cuando se activa desde el modo de reposo, la balanza está lista para funcionar de inmediato.

La balanza puede utilizarse bajo las siguientes condiciones ambientales. No obstante, los resultados de pesaje de la balanza pueden estar fuera de los valores límite:

Temperatura ambiente: +5 °C – +40 °C

Humedad relativa: De 20 % a máx. 80 % a 31 °C, con un decrecimiento lineal de hasta el 50 % a 40 °C, sin condensación

La balanza se puede desconectar y guardar en su embalaje bajo las siguientes condiciones:

Temperatura ambiente: De -25 a +70 °C

Humedad relativa: 10-90 %, sin condensación

7 Disposal

De conformidad con la Directiva Europea 2012/19/UE sobre Residuos de Aparatos Eléctricos y Electrónicos (RAEE), este dispositivo no puede desecharse con la basura doméstica. Esto también se aplica a los países no pertenecientes a la UE, según sus requisitos específicos.

Deseche este producto de acuerdo con la normativa local en el punto de recogida especificado para aparatos eléctricos y electrónicos. Si tiene alguna duda, póngase en contacto con la autoridad responsable o con el distribuidor al que compró este aparato. En caso de que este aparato se entregue a terceros, también deberá relacionarse el contenido de esta normativa.



8 Información sobre conformidad

Los documentos de aprobación de ámbito nacional, por ejemplo, la Declaración de Conformidad del Proveedor de la FCC, están disponibles en línea o se incluyen en el embalaje.

► www.mt.com/ComplianceSearch



Para obtener más información, consulte el manual de referencia (RM).

► www.mt.com/MA-RM

Table des matières

1	Introduction	3
1.1	Objectif du document.....	3
1.2	Autres documents et informations	3
1.3	Acronymes et abréviations	3
2	Consignes de sécurité	4
2.1	Définition des termes de notification et des symboles d'avertissement	4
2.2	Consignes de sécurité relatives au produit.....	5
3	Structure et fonction	5
3.1	Aperçu des balances analytiques	6
3.2	Aperçu des balances de précision, petite taille	6
3.3	Aperçu des balances de précision, grande taille.....	7
3.4	Aperçu des balances de précision, compactes.....	7
3.5	Aperçu du terminal	8
3.6	Aperçu des connexions d'interface	9
3.7	Description des composants	9
3.7.1	Pare-brise.....	9
3.7.2	Plateau de pesage	9
3.7.3	Plateau collecteur	9
3.7.4	Poignée de porte	10
3.7.5	Pieds de mise de niveau	10
3.7.6	Terminal	10
3.7.7	QuickLock pour portes et panneau avant	10
3.7.8	Touche de déverrouillage pour le panneau arrière	11
3.8	Interface utilisateur	11
3.8.1	Coup d'œil sur les rubriques principales.....	11
3.8.2	Écran de pesage principal	12
4	Installation et mise en service	14
4.1	Sélection de l'emplacement	14
4.2	Déballage de la balance	15
4.3	Installation	16
4.3.1	Balances avec pare-brise	16
4.3.2	Balances sans pare-brise	18
4.3.3	Balances, grande taille	18
4.3.4	Balances, compactes.....	18
4.4	Mise en service.....	19
4.4.1	Raccordement de la balance	19
4.4.2	Mise sous tension de la balance	19
4.4.3	Mise de niveau de la balance.....	19
4.4.3.1	Mise de niveau des balances grande taille.....	20
4.4.3.2	Mise de niveau des balances compactes.....	20
4.4.3.3	Mise de niveau de toutes les autres balances.....	21
4.4.4	Réalisation d'un calibrage interne	21
4.4.5	Activation/Désactivation du mode veille	22
4.4.6	Activation/Désactivation du mode hibernation	22
4.4.7	Mise hors tension de la balance	22
4.5	Réalisation d'un pesage simple	22
4.5.1	Ouverture et fermeture des portes du pare-brise	22
4.5.2	Remise à zéro de la balance	22
4.5.3	Tarage de la balance	23
4.5.4	Réalisation d'un pesage	23

4.6	Utilisation de piles (balance compacte)	23
4.6.1	Insertion ou remplacement des piles	23
4.7	Transport, emballage et stockage.....	24
4.7.1	Transport de la balance sur des distances courtes	24
4.7.2	Transport de la balance sur de longues distances.....	24
4.7.3	Emballage et stockage	25
5	Maintenance	25
5.1	Tâches de maintenance	25
5.2	Nettoyage.....	26
5.2.1	Démontage en vue du nettoyage	26
5.2.1.1	Balances avec pare-brise	26
5.2.1.2	Balances sans pare-brise	28
5.2.1.3	Balances, grande taille.....	28
5.2.1.4	Balances, compactes.....	29
5.2.2	Nettoyage de la balance	29
5.2.3	Mise en service après nettoyage	30
5.3	Entretien.....	30
6	Caractéristiques techniques	30
6.1	Données générales.....	30
7	Mise au rebut	32
8	Informations concernant la conformité	32

1 Introduction

Merci d'avoir choisi une balance METTLER TOLEDO. La balance allie haut niveau de performance et simplicité d'utilisation.

Contrat de licence utilisateur final (CLUF)

Le logiciel de ce produit est cédé par le Contrat de licence METTLER TOLEDO d'utilisateur final (EULA) pour le logiciel.

En utilisant ce produit, vous acceptez les dispositions de l'EULA.

► www.mt.com/EULA

1.1 Objectif du document

Ce guide de l'utilisateur fournit de brèves instructions sur les premières étapes à suivre avec l'instrument. L'objectif est de garantir une manipulation sûre et efficace. Avant d'entreprendre une tâche quelconque, le personnel doit avoir lu attentivement et bien compris le présent guide.

1.2 Autres documents et informations

Ce document est disponible en ligne dans d'autres langues.



► www.mt.com/MA-UM

Page de présentation du produit :

► www.mt.com/MA-balances

Instructions pour le nettoyage d'une balance, "8 Steps to a Clean Balance" :

► www.mt.com/lab-cleaning-guide

Recherche de logiciel :

► www.mt.com/labweighing-software-download

Recherche de documents :

► www.mt.com/library

Pour toute autre question, veuillez contacter votre METTLER TOLEDO revendeur ou représentant de service agréé.

► www.mt.com/contact

1.3 Acronymes et abréviations

Terme source	Terme traduit	Description
AC	CA	Alternating Current (Courant alternatif)
ASTM		American Society for Testing and Materials (Société américaine d'essais et matériaux)
DC	CC	Direct Current (Courant continu)
EMC		Electromagnetic Compatibility (Compatibilité électromagnétique)
FCC		Federal Communications Commission (Commission fédérale des communications)
GWP		Good Weighing Practice
HID		Human Interaction Device

ID		Identification (Identification)
IP		Ingress Protection
LAN		Local Area Network
LED		Light-Emitting Diode (Diode électroluminescente)
LPS		Limited Power Source (Source à puissance limitée)
MAC		Media Access Control
MT-SICS		METTLER TOLEDO Standard Interface Command Set
NA		Not Applicable (Non applicable)
OIML		Organisation Internationale de Métrologie Légale
RAM		Random Access Memory (Mémoire vive)
RM		Reference Manual (Manuel de référence)
SOP	MON	Standard Operating Procedure (Mode opératoire normalisé)
UM		User Manual (Manuel utilisateur)
USB		Universal Serial Bus (Bus universel en série)
USP		United States Pharmacopeia (Pharmacopée américaine)

2 Consignes de sécurité

Deux documents intitulés "Manuel d'utilisation" et "Manuel de référence" sont disponibles pour cet instrument.

- Le manuel d'utilisation est disponible en ligne en plusieurs langues.
- Une version imprimée du manuel d'utilisation est fournie avec l'instrument.
- Le manuel de référence est disponible en ligne. Ce manuel offre une description complète de l'instrument et de son utilisation.
- Conservez les deux documents pour pouvoir les consulter ultérieurement.
- Si vous prêtez l'appareil à une autre personne, fournissez-lui ces deux documents.

Utilisez l'instrument uniquement comme indiqué dans le manuel d'utilisation et le manuel de référence. Si cet instrument n'est pas utilisé conformément à ces documents ou s'il est modifié, cela risque de compromettre sa sécurité et Mettler-Toledo GmbH ne saurait en aucun cas être tenu pour responsable.

2.1 Définition des termes de notification et des symboles d'avertissement

Les consignes de sécurité contiennent des informations importantes sur la sécurité. Si vous n'en tenez pas compte, vous risquez de vous blesser, d'endommager l'instrument, d'engendrer des dysfonctionnements et des résultats erronés. Les consignes de sécurité peuvent être identifiées grâce aux termes de signalisation et aux symboles d'avertissement suivants :

Termes de signalisation

- DANGER** Signale une situation dangereuse présentant un risque élevé et pouvant résulter en des blessures graves ou mortelles, si la mise en garde n'est pas respectée.
- AVERTISSEMENT** Signale une situation dangereuse présentant un risque moyen et pouvant entraîner des blessures graves ou mortelles, si la mise en garde n'est pas respectée.

ATTENTION

Signale une situation dangereuse impliquant un risque faible, susceptible d'entraîner des blessures légères ou modérées, si la mise en garde n'est pas respectée.

AVIS

Signale une situation dangereuse impliquant un risque faible, susceptible de causer des dommages matériels, notamment à l'instrument, des dysfonctionnements, des résultats erronés ou des pertes de données.

Symboles d'avertissement



Danger d'ordre général



Avis

2.2 Consignes de sécurité relatives au produit

Usage prévu

Cet instrument est destiné à être utilisé par du personnel formé. Cet instrument est conçu pour le pesage.

Sauf autorisation de Mettler-Toledo GmbH, tout autre type d'utilisation et de fonctionnement en dehors des caractéristiques techniques définies par Mettler-Toledo GmbH est considéré non conforme.

Responsabilités du propriétaire de l'instrument

Le propriétaire de l'instrument est la personne qui détient le titre de propriété de l'instrument et qui utilise l'instrument ou autorise une personne à l'utiliser, ou qui est réputée être l'opérateur de l'instrument aux yeux de la loi. Le propriétaire de l'instrument est responsable de la sécurité de tous les utilisateurs de l'instrument et des tiers.

Mettler-Toledo GmbH part du principe que le propriétaire de l'instrument forme les utilisateurs à une utilisation sûre de l'instrument sur leur lieu de travail et qu'il aborde les dangers que son utilisation implique. Mettler-Toledo GmbH part du principe que le propriétaire de l'instrument fournit l'équipement de protection nécessaire.

Consignes de sécurité



AVERTISSEMENT

Mort ou blessures graves à la suite d'une décharge électrique

Tout contact avec les pièces sous tension peut entraîner des blessures graves ou la mort.

- 1 Utilisez uniquement le câble d'alimentation secteur et l'adaptateur CA/CC METTLER TOLEDO conçus pour votre instrument.
- 2 Branchez le câble d'alimentation à une prise électrique mise à la terre.
- 3 Tenez les câbles et les prises électriques à l'écart des liquides et de l'humidité.
- 4 Vérifiez que les câbles et la prise d'alimentation ne sont pas endommagés et remplacez-les en cas de dommage.



AVIS

Détérioration ou dysfonctionnement de l'instrument découlant de l'utilisation de pièces inadaptées

- Veillez à n'utiliser que des pièces de METTLER TOLEDO destinées à être utilisées avec votre instrument.

Une liste des pièces détachées et des accessoires se trouve dans le manuel de référence.

3 Structure et fonction

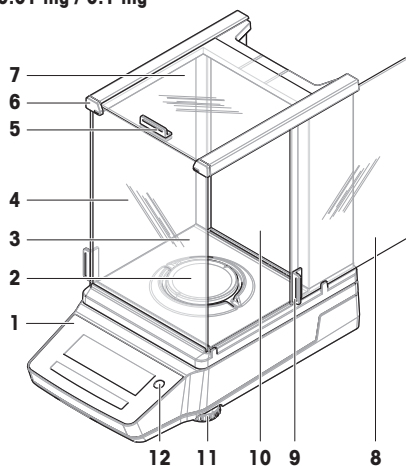


Pour plus d'informations, consultez le manuel de référence (RM).

► www.mt.com/MA-RM

3.1 Aperçu des balances analytiques

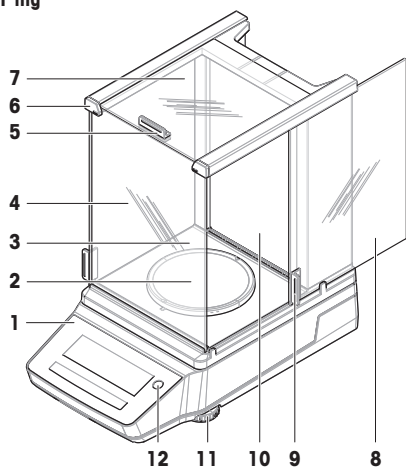
0.01 mg / 0.1 mg



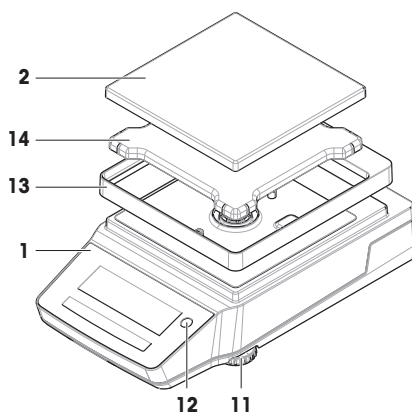
1	Terminal	7	Porte supérieure, pare-brise
2	Plateau de pesage	8	Porte latérale, pare-brise (droite/gauche)
3	Plateau collecteur	9	Poignée, porte latérale
4	Panneau avant, pare-brise	10	Panneau arrière, pare-brise
5	Poignée, porte supérieure	11	Pieds de mise de niveau
6	QuickLock, panneau avant	12	Fenêtre de visualisation

3.2 Aperçu des balances de précision, petite taille

1 mg



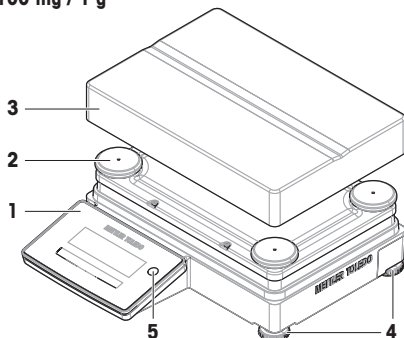
10 mg / 100 mg



1	Terminal	8	Porte latérale, pare-brise (droite/gauche)
2	Plateau de pesage	9	Poignée, porte latérale
3	Plateau collecteur	10	Panneau arrière, pare-brise
4	Panneau avant, pare-brise	11	Pieds de mise de niveau
5	Poignée, porte supérieure	12	Fenêtre de visualisation
6	QuickLock, panneau avant	13	Pare-brise de protection
7	Porte supérieure, pare-brise	14	Porte-plateau de pesage

3.3 Aperçu des balances de précision, grande taille

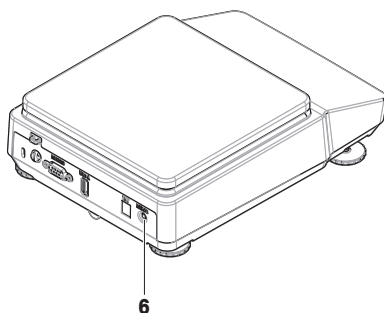
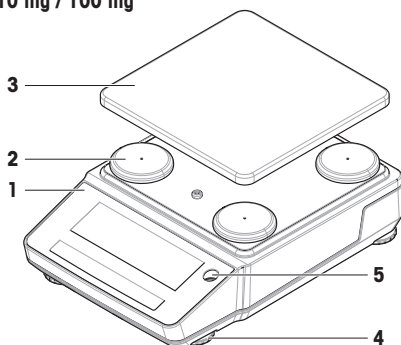
100 mg / 1 g



1	Terminal	4	Pieds de mise de niveau
2	Patin d'appui du plateau de pesage	5	Fenêtre de visualisation
3	Plateau de pesage		

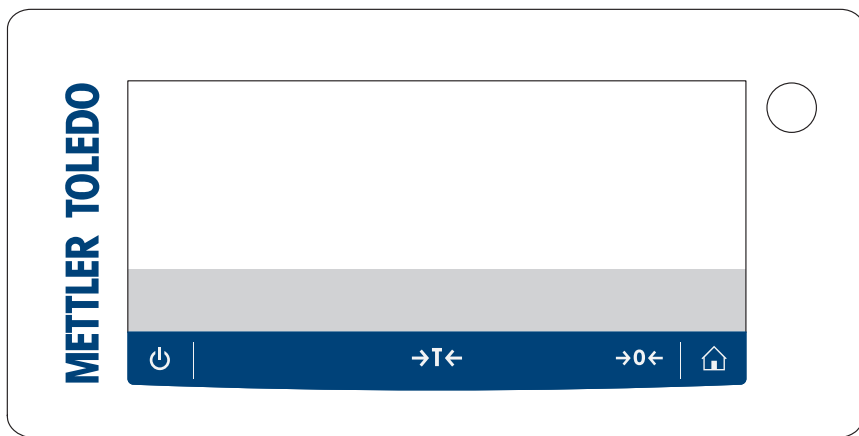
3.4 Aperçu des balances de précision, compactes





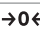

10 mg / 100 mg



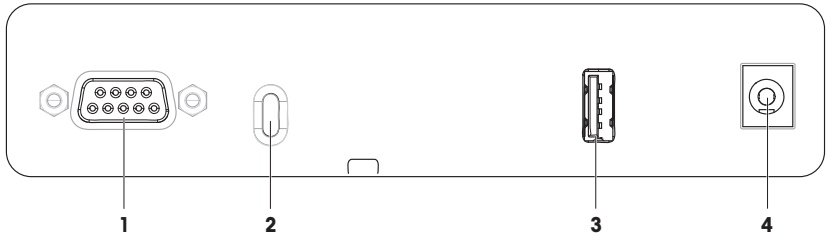
1	Terminal	4	Pieds de mise de niveau
2	Patin d'appui du plateau de pesage	5	Fenêtre de visualisation
3	Plateau de pesage	6	Interrupteur de réveil (mode batterie)

3.5 Aperçu du terminal



	Nom	Description
	Veille	<p>Lorsque vous appuyez sur , la balance entre en mode veille, elle ne s'éteint pas complètement. Pour éteindre complètement la balance, vous devez la débrancher de l'alimentation.</p> <p>Remarque Laissez la balance branchée sur secteur, sauf si elle n'est pas utilisée pendant une période prolongée. Une fois l'instrument mis sous tension, celui-ci doit préchauffer avant de donner des résultats précis.</p> <p>Remarque Balances compactes en mode batterie uniquement : Appuyez sur  pour éteindre complètement la balance. Il n'y a pas de mode veille.</p>
	Tare	<p>Tare la balance.</p> <p>Cette fonction est utilisée lorsque le procédé de pesage implique des récipients de tare. Une fois la balance tarée, l'écran affiche Net, ce qui indique que tous les poids affichés sont nets.</p>
	Zéro	<p>Permet de mettre la balance à zéro.</p> <p>La balance doit toujours être remise à zéro avant de commencer le procédé de pesage. Après la remise à zéro, la balance définit un nouveau point zéro.</p>
	Home	<p>Permet de revenir de n'importe quel niveau de menu des paramètres à l'écran de pesage principal de l'application actuellement définie ou de la dernière application utilisée.</p>

3.6 Aperçu des connexions d'interface

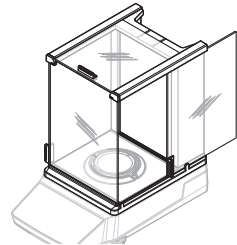


1	Interface série RS232C	3	Port USB-A
2	Orifice pour câble antiviol	4	Prise d'adaptateur secteur

3.7 Description des composants

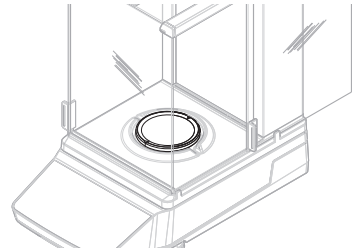
3.7.1 Pare-brise

Le pare-brise protège la zone de pesée contre les conditions ambiantes telles que les courants d'air ou l'humidité. Les portes latérales et la porte supérieure peuvent être ouvertes manuellement.



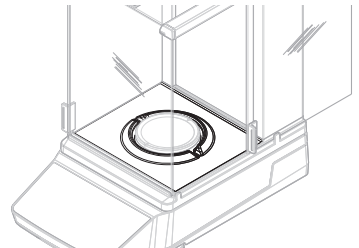
3.7.2 Plateau de pesage

Le plateau de pesage désigne le récepteur de la charge qui accueille l'élément à peser.



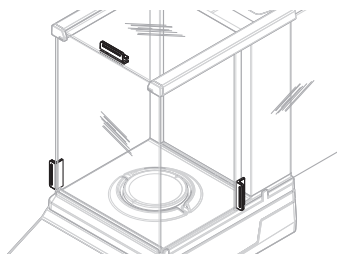
3.7.3 Plateau collecteur

Le plateau collecteur est placé sous le plateau de pesage. L'objectif principal d'un plateau collecteur est de permettre un nettoyage rapide de la balance.



3.7.4 Poignée de porte

Les poignées sont montées sur les portes du pare-brise. Elles permettent d'ouvrir à la main les portes latérales et la porte supérieure du pare-brise.

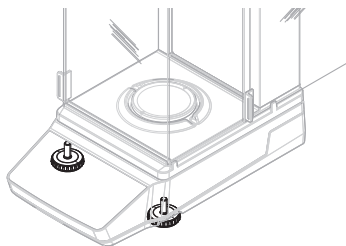


3.7.5 Pieds de mise de niveau

La balance repose sur des pieds réglables en hauteur. Ces pieds sont utilisés pour mettre de niveau la balance.

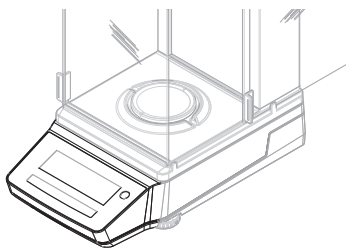
Remarque

Les balances grande taille et les balances compactes sont dotées de quatre pieds de mise de niveau.



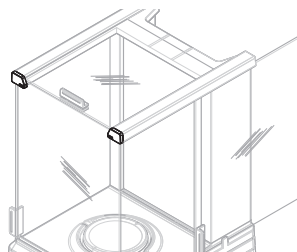
3.7.6 Terminal

Le terminal est intégré à la balance et équipé d'un écran LCD. Le terminal et la plateforme de pesage sont protégés par une housse remplaçable.



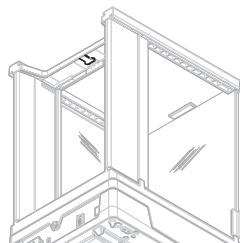
3.7.7 QuickLock pour portes et panneau avant

En fonction de la position, le QuickLock sert à verrouiller/déverrouiller la porte supérieure, les portes latérales et le panneau avant du pare-brise.



3.7.8 Touche de déverrouillage pour le panneau arrière

Le bouton de déverrouillage sert à verrouiller/déverrouiller le panneau arrière du pare-brise.



3.8 Interface utilisateur

3.8.1 Coup d'œil sur les rubriques principales

L'écran de pesage principal (1) affiche les résultats de pesée et fournit des informations sur l'état de la balance. Les touches de fonctionnement (2) constituent l'élément de navigation principal permettant d'accéder à tous les menus et paramètres et de les sélectionner.



	Nom	Description
1	Écran de pesage principal	Affiche les résultats de pesée et fournit des informations sur l'état de la balance.
2	Touches de commande	Permet d'accéder aux menus et fonctions de la balance.

Touches de commande

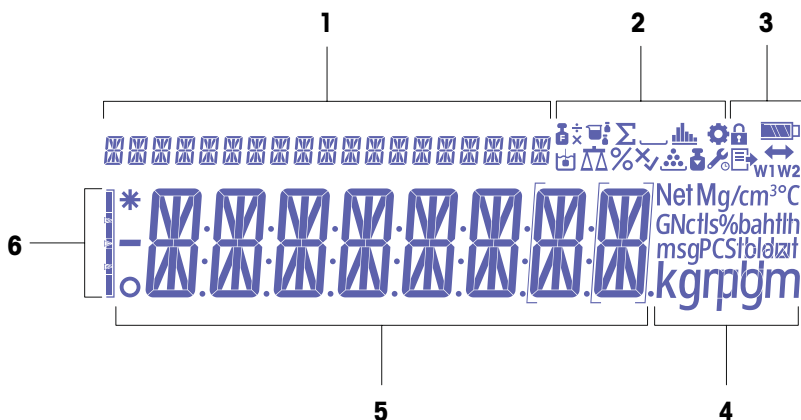
	Nom	Description
	Paramètres	Accès au menu des paramètres.
	Applications	Accède au menu des applications.
	Précédent/Haut/Augmenter	<ul style="list-style-type: none">Défilement vers le haut dans une liste de sujets.Changements entre l'unité 1, l'unité 2 et l'unité d'application (si disponible).Augmente les chiffres.Ajoute un poids capturé dans une application.
	Suivant/Bas/Diminuer	<ul style="list-style-type: none">Défilement vers le bas dans une liste de sujets.Changements entre l'unité 1, l'unité 2 et l'unité d'application (si disponible).Diminue les chiffres.
	Annuler	Interrompt une tâche ou quitte le menu sans enregistrer.

	Nom	Description
✓	Accepter	<ul style="list-style-type: none"> • Accède au menu sélectionné. • Démarre l'application sélectionnée. • Confirme la saisie.
	Calibrage	Exécute la procédure d'ajustage prédéfinie.
	Imprimer/Transférer	<ul style="list-style-type: none"> • Imprime la valeur affichée. • Imprime les paramètres du menu utilisateur actif. • Transfère les données vers l'emplacement cible prédéfini.

Voir aussi à ce sujet

🔗 Écran de pesage principal ▶ page 12









3.8.2 Écran de pesage principal














1	Texte du coach	4	Icônes de l'unité
2	Icônes d'application	5	Valeur de poids/libellé du menu/libellé du paramètre/valeur du paramètre
3	Icônes d'état	6	Aide au pesage

Icônes d'application

	Nom	Description
	Application "Pesage avec facteur de division"	L'application "Pesage avec facteur de division" divise un facteur prédéfini par la valeur de poids (en grammes) : résultat = facteur/poids Le résultat est arrondi à un nombre prédéfini de décimales.
	Application "Pesage avec facteur de multiplication"	L'application "Pesage avec facteur de multiplication" multiplie la valeur de poids (en grammes) par un facteur prédéfini : résultat = facteur × poids Le résultat est arrondi à un nombre prédéfini de décimales.

	Nom	Description
	Application "Formulation"	L'application "Formulation" (Total net) a plusieurs objectifs. <ul style="list-style-type: none"> • Peser (ajouter et mémoriser) jusqu'à 999 poids de composants individuels et afficher le total. Si une imprimante est connectée, les poids des composants sont imprimés individuellement et sous forme d'un total. • tarer/pré-tarer et mémoriser jusqu'à 999 poids de flacons et afficher le total. Si une imprimante est connectée, les poids de tare sont imprimés individuellement et sous forme d'un total. • indiquer la somme de toutes les valeurs de poids net des composants en ajoutant un composant supplémentaire à une valeur supérieure.
	Application "Totalisation"	L'application "Totalisation" vous permet de peser différents échantillons pour additionner leurs valeurs de poids et les totaliser. Il est possible de peser entre 1 et 999 échantillons.
	Application "Statistiques"	L'application "Statistiques" vous permet de générer des statistiques sur une série de valeurs de pesée (1 à 999 valeurs possibles).
	Application "Pesage dynamique"	L'application "Pesage dynamique" vous permet de déterminer les poids d'échantillons instables ou de déterminer les poids dans des conditions ambiantes instables. La balance calcule le poids comme étant la moyenne d'un nombre d'opérations de pesage sur une période définie.
	Application Masse volumique	L'application Masse volumique vous permet de déterminer la masse volumique de corps solides et de liquides. Le calcul de la masse volumique s'effectue sur la base du "principe d'Archimède", selon lequel tout corps plongé dans un liquide subit une poussée verticale vers le haut égale au poids du volume de liquide déplacé.
	Application Pesage	L'application Pesage est utilisée pour des tâches de pesage simples ou pour prendre une série de mesures.
	Application Pesage de contrôle	L'application Pesage de contrôle vous permet de vérifier la variation du poids d'échantillon dans les limites de tolérance d'un poids de référence cible.
	Application Comptage	L'application Comptage vous permet de déterminer le nombre de pièces placées sur le plateau de pesage.

Icônes d'état

	Nom	Description
	Paramètres de menu activés	Les paramètres de menu sont activés et peuvent être adaptés.
	Paramètres de menu bloqués	Les paramètres de menu sont verrouillés et ne peuvent pas être adaptés.
	Le calibrage interne a commencé	Le calibrage interne de la balance a commencé.
	Rappel de maintenance	La maintenance suivante est nécessaire.
	Publication	Les données sont en cours de publication.
	État de charge de la batterie	Balances compactes uniquement : Indique le niveau de charge de la batterie. <ul style="list-style-type: none"> • : Batterie pleine • : Charge batterie 3/4 • : Charge batterie 1/2 • : Charge batterie 1/4 • : Batterie déchargée

	Nom	Description
↔	Connectivité	Connexion de données sur un autre appareil.
W1	Portée 1	La portée 1 est active.
W2	Portée 2	La portée 2 est active.
Net	Valeurs de poids net	"Net" indique que toutes les valeurs de poids affichées sont des valeurs nettes.
G	Valeurs du poids brut	Les valeurs de poids brut sont affichées.
M	Valeur stockée (mémoire)	Une valeur stockée dans la mémoire de la balance est affichée.

Icônes d'étiquette

	Nom	Description
*	Valeur calculée	Indique que la valeur affichée est calculée.
o	Valeur instable	Indique que la valeur affichée est instable, et donc qu'elle change au fil du temps.
{ }	Chiffres non certifiés	Les crochets indiquent des chiffres non certifiés (modèles de balances légales pour usage commercial uniquement).

4 Installation et mise en service

4.1 Sélection de l'emplacement

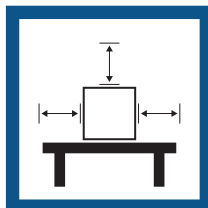
Une balance est un instrument de précision très sensible. L'emplacement de son installation influe notablement sur l'exactitude des résultats de pesée.

Exigences relatives à l'emplacement

Installez-le à l'intérieur sur une table stable



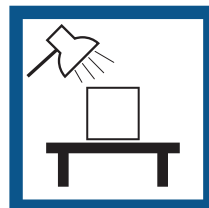
Laissez un espace suffisant tout autour



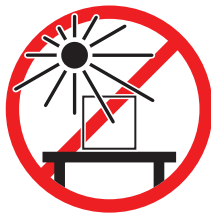
Mettez l'instrument de niveau



Prévoyez un éclairage suffisant



Évitez toute exposition directe aux rayons du soleil



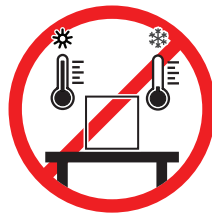
Évitez toute vibration



Évitez les courants d'air violents



Évitez tout changement de température



Tenez compte des conditions environnementales. Voir "Caractéristiques techniques".

Espace suffisant pour les balances : > 15 cm tout autour de l'instrument.

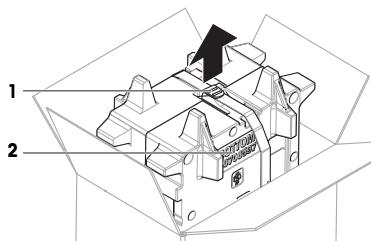
4.2 Déballage de la balance

Vérifiez que l'emballage, les éléments d'emballage et les composants livrés ne présentent aucun dommage. Si des composants sont endommagés, contactez votre représentant METTLER TOLEDO.

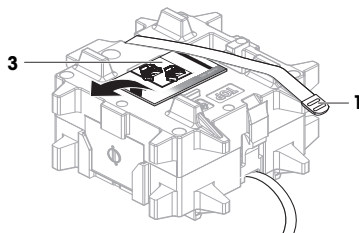
Remarque

Les éléments d'emballage et les composants peuvent avoir un aspect différent d'un modèle de balance à l'autre.

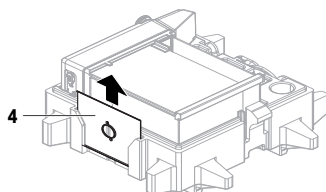
- 1 Ouvrez le carton et sortez le paquet à l'aide de la sangle de levage (1).
- 2 Placez l'emballage sur une surface plane, inscription BOTTOM (2) vers le bas.



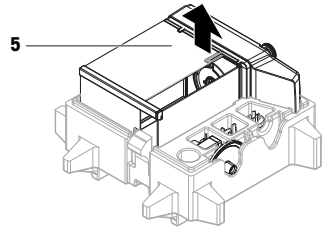
- 3 Défaites la sangle de levage (1) et sortez le Guide de l'utilisateur (3).



- 4 Enlevez la partie supérieure de l'emballage et déballez soigneusement le plateau collecteur (4).



- 5 Déballez soigneusement la balance (5) et tous les autres éléments.
- 6 Retirez le sac de protection.
- 7 Laissez la housse sur la plateforme de pesage et sur le terminal.
- 8 Conservez toutes les pièces d'emballage en lieu sûr pour une utilisation future.
 - ➔ La balance est prête à être installée.



4.3 Installation

ⓘ Remarque

Les composants présentent un aspect différent d'un modèle de balance à l'autre.

4.3.1 Balances avec pare-brise



⚠ ATTENTION

Blessures causées par des objets tranchants ou des bris de verre

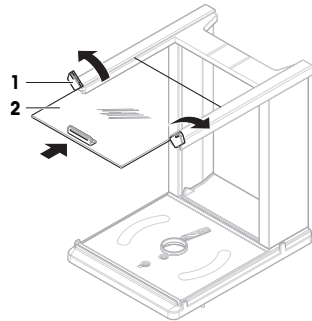
Les composants de l'instrument comme, par exemple, le verre, peuvent se casser et occasionner des blessures.

- Concentration et attention sont les maîtres mots.

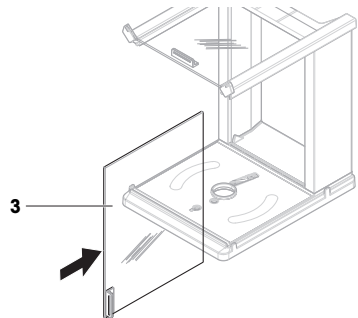
ⓘ Remarque

Ignorez les étapes 1 à 5 lorsque vous déballez la balance pour la première fois ou si le pare-brise est déjà assemblé et monté sur la plateforme de pesage.

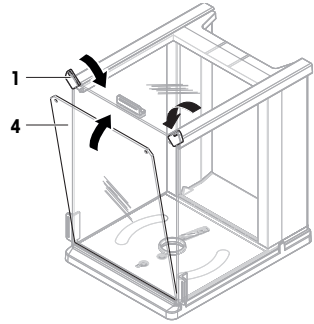
- 1 Assemblez le pare-brise : Tournez le QuickLock (1, droite, gauche) et faites glisser la porte supérieure (2).



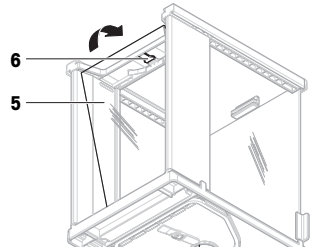
- 2 Insérez la porte latérale (3) (droite, gauche).



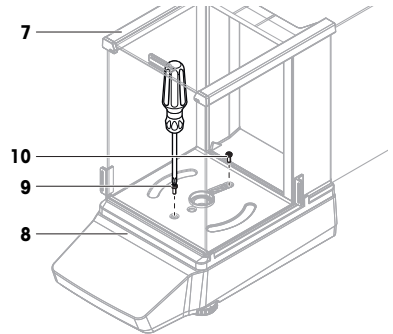
- 3 Fixez le panneau avant (4), puis tournez le QuickLock (1, droite, gauche) pour maintenir le panneau en place.



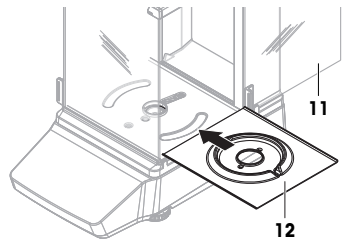
- 4 Fixez le panneau arrière (5). Assurez-vous que le bouton de déverrouillage (6) s'enclenche.



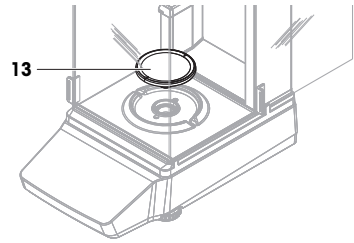
- 5 Fixez le pare-brise (7) à la plateforme de pesage (8) en serrant la vis avant (9) et la vis arrière (10) à l'aide d'un tournevis cruciforme.



- 6 Ouvrez complètement la porte latérale (11)
7 Placez le plateau collecteur (12).

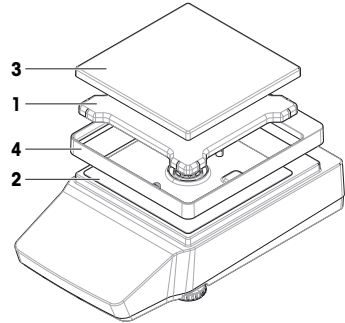


- 8 Installez le plateau de pesage (13).
- ➔ La balance est prête à l'emploi.



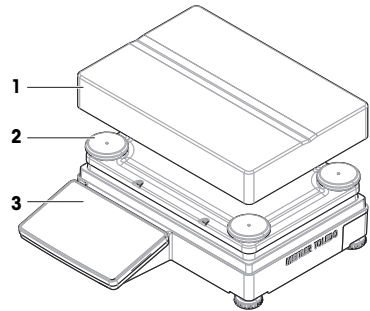
4.3.2 Balances sans pare-brise

- 1 Placez le support du plateau de pesage (1) sur le dessus de la plateforme de pesage (2).
- ⓘ Remarque**
Pour protéger votre balance, laissez la housse de protection sur la plateforme de pesage (2).
- 2 Placez le plateau de pesage (3) au-dessus du support du plateau de pesage (1).
- 3 Placez le pare-brise de protection (4) sur le dessus de la plateforme de pesage (2).
- ➔ La balance est prête à l'emploi.



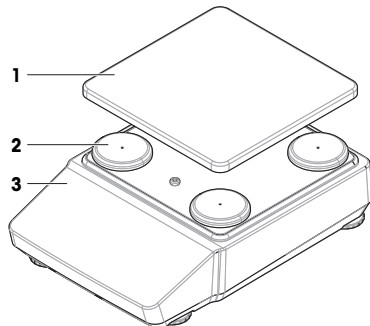
4.3.3 Balances, grande taille

- Placez le plateau de pesage (1) au-dessus des patins d'appui (2).
- ⓘ Remarque**
Pour protéger votre balance, laissez la housse de protection sur le terminal (3).
- ➔ La balance est prête à l'emploi.



4.3.4 Balances, compactes

- Placez le plateau de pesage (1) au-dessus des patins d'appui (2).
- ⓘ Remarque**
Pour protéger votre balance, laissez la housse de protection sur la plateforme de pesage (3).
- ➔ La balance est prête à l'emploi.



4.4 Mise en service

4.4.1 Raccordement de la balance



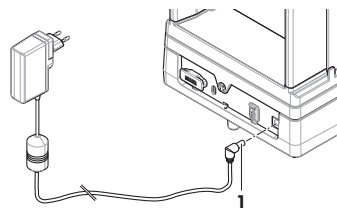
⚠ AVERTISSEMENT

Mort ou blessures graves à la suite d'une décharge électrique

Tout contact avec les pièces sous tension peut entraîner des blessures graves ou la mort.

- 1 Utilisez uniquement le câble d'alimentation secteur et l'adaptateur CA/CC METTLER TOLEDO conçus pour votre instrument.
- 2 Branchez le câble d'alimentation à une prise électrique mise à la terre.
- 3 Tenez les câbles et les prises électriques à l'écart des liquides et de l'humidité.
- 4 Vérifiez que les câbles et la prise d'alimentation ne sont pas endommagés et remplacez-les en cas de dommage.

- 1 Disposez les câbles de façon à ce qu'ils ne puissent pas être endommagés ou qu'ils ne perturbent pas l'utilisation de l'instrument.
- 2 Insérez la fiche de l'adaptateur secteur (1) dans la prise d'alimentation de l'instrument.
- 3 Branchez la fiche du câble d'alimentation dans une prise électrique mise à la terre et facile d'accès.
➔ La balance s'allume automatiquement.



i Remarque

Ne raccordez pas l'instrument à une prise de courant contrôlée par un interrupteur. Après avoir mis l'instrument sous tension, il doit préchauffer avant de donner des résultats précis.

Voir aussi à ce sujet

🔗 Données générales ▶ page 30

4.4.2 Mise sous tension de la balance

Lorsqu'elle est connectée à l'alimentation électrique, la balance s'allume automatiquement.

Acclimatation et réchauffement

Avant de pouvoir fournir des résultats fiables, la balance doit :

- s'acclimater à la température ambiante ;
- chauffer en étant raccordée à l'alimentation électrique.

Les temps d'acclimatation et de préchauffage des balances sont disponibles dans "Données générales".

i Remarque

Lorsque la balance quitte le mode veille, elle est immédiatement prête.

Voir aussi à ce sujet

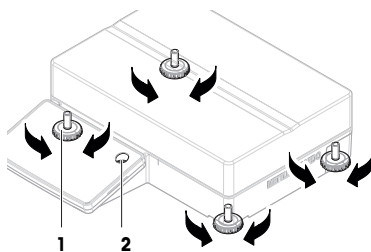
- 🔗 Données générales ▶ page 30
- 🔗 Activation/Désactivation du mode veille ▶ page 22
- 🔗 Activation/Désactivation du mode hibernation ▶ page 22
- 🔗 Mise hors tension de la balance ▶ page 22

4.4.3 Mise de niveau de la balance

Il est indispensable d'assurer un positionnement parfaitement horizontal et une installation stable pour garantir des résultats de pesée précis et reproductibles.

4.4.3.1 Mise de niveau des balances grande taille

- 1 Vissez complètement tous les pieds de mise de niveau.
- 2 Dévissez tous les pieds de mise de niveau de deux à trois tours, sauf sur le pied de mise de niveau arrière gauche.
- 3 Faites tourner les pieds de mise de niveau (1) jusqu'à ce que la bulle d'air se trouve au centre de la fenêtre de visualisation (2). Continuez comme indiqué dans l'exemple suivant.
- 4 Dévissez le pied de mise à niveau arrière gauche jusqu'à ce qu'il touche la surface de la table.



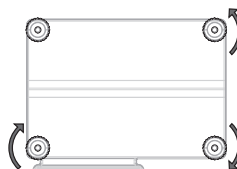
➔ La balance est mise de niveau et soutenue par les quatre pieds de mise de niveau.

Exemple

Bulle d'air à 12 heures :



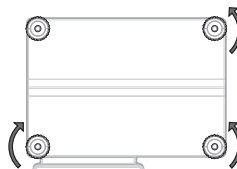
Faites tourner les deux pieds avant dans le sens des aiguilles d'une montre.
Faites tourner le pied arrière droit dans le sens inverse des aiguilles d'une montre.



Bulle d'air à 3 heures :



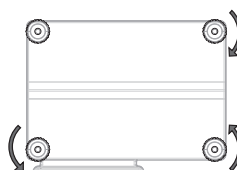
Faites tourner le pied avant gauche dans le sens des aiguilles d'une montre, puis le pied avant droit dans le sens inverse des aiguilles d'une montre.
Faites tourner le pied arrière droit dans le sens inverse des aiguilles d'une montre.



Bulle d'air à 6 heures :



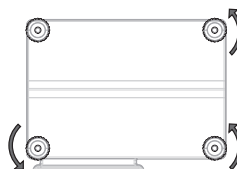
Faites tourner les deux pieds avant dans le sens inverse des aiguilles d'une montre.
Faites tourner le pied arrière droit dans le sens des aiguilles d'une montre.



Bulle d'air à 9 heures :

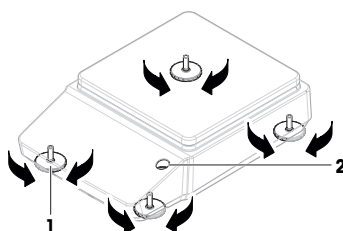


Faites tourner les deux pieds avant dans le sens inverse des aiguilles d'une montre.
Faites tourner le pied arrière droit dans le sens inverse des aiguilles d'une montre.



4.4.3.2 Mise de niveau des balances compactes

- 1 Vissez complètement les deux pieds de mise de niveau arrière.
- 2 Dévissez les deux pieds de mise de niveau avant de deux à trois tours.
- 3 Faites tourner les pieds de mise de niveau avant (1) jusqu'à ce que la bulle d'air se trouve au centre de la fenêtre de visualisation (2). Continuez comme indiqué dans l'exemple suivant.
- 4 Dévissez les deux pieds de mise à niveau arrière jusqu'à ce qu'ils soient en contact avec la surface de la table.



→ La balance est mise de niveau et soutenue par les quatre pieds de mise de niveau.

Exemple

Bulle d'air à 12 heures :



Faites tourner les deux pieds dans le sens des aiguilles d'une montre.



Bulle d'air à 3 heures :



Faites tourner le pied gauche dans le sens des aiguilles d'une montre et le pied droit dans le sens inverse.



Bulle d'air à 6 heures :



Faites tourner les deux pieds dans le sens inverse des aiguilles d'une montre.



Bulle d'air à 9 heures :

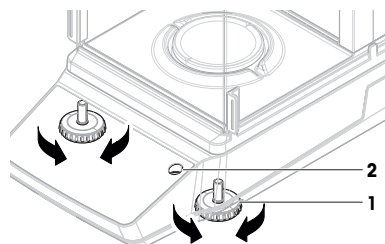


Faites tourner le pied gauche dans le sens inverse des aiguilles d'une montre et le pied droit dans le sens des aiguilles d'une montre.



4.4.3.3 Mise de niveau de toutes les autres balances

- Faites tourner les pieds de mise de niveau (1) jusqu'à ce que la bulle d'air se trouve au centre de la fenêtre de visualisation (2).



Exemple

Bulle d'air à 12 heures :



Faites tourner les deux pieds dans le sens des aiguilles d'une montre.



Bulle d'air à 3 heures :



Faites tourner le pied gauche dans le sens des aiguilles d'une montre et le pied droit dans le sens inverse.



Bulle d'air à 6 heures :



Faites tourner les deux pieds dans le sens inverse des aiguilles d'une montre.



Bulle d'air à 9 heures :





Faites tourner le pied gauche dans le sens inverse des aiguilles d'une montre et le pied droit dans le sens des aiguilles d'une montre.



4.4.4 Réalisation d'un calibrage interne

- 1 Sur l'écran de pesage principal, appuyez sur .
 - ADJ.INT s'affiche.
- 2 Appuyez sur .
 - L'ajustage est effectué.
 - Les résultats d'ajustage apparaissent.
- 3 Appuyez sur .
 - La balance est prête.


4.4.5 Activation/Désactivation du mode veille

- 1 Pour passer en mode veille, appuyez sur  pendant moins de 2 s.
 - ➔ La luminosité de l'écran est réduite, les informations affichées à l'écran sont visibles. La balance est toujours allumée.
- 2 Pour quitter le mode veille, appuyez sur .
Vous pouvez également appuyer sur le plateau de pesage ou placer un poids sur celui-ci.
 - ➔ L'écran s'allume.


4.4.6 Activation/Désactivation du mode hibernation

Remarque

Concerne uniquement les balances compactes en mode batterie.

- 1 Pour passer en mode hibernation, appuyez sur  pendant moins de 2 s.
 - ➔ L'écran s'éteint. La balance est en mode hibernation.
- 2 Pour quitter le mode hibernation, appuyez sur l'interrupteur de réveil situé au dos de la balance.
 - ➔ L'écran s'allume.




4.4.7 Mise hors tension de la balance

Pour éteindre complètement la balance, vous devez la débrancher de l'alimentation électrique. Si vous appuyez sur , la balance passe seulement en mode veille.

Remarque

Lorsque la balance est restée complètement éteinte pendant un certain temps, elle doit passer par une phase de préchauffage avant toute utilisation.

Voir aussi à ce sujet

-  Mise sous tension de la balance ▶ page 19
-  Activation/Désactivation du mode veille ▶ page 22
-  Activation/Désactivation du mode hibernation ▶ page 22

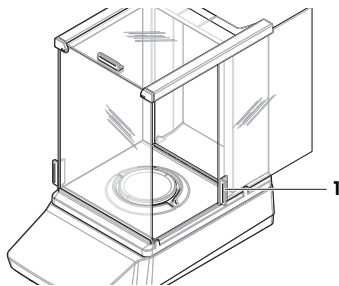
4.5 Réalisation d'un pesage simple

Remarque


La procédure est expliquée à l'aide d'une balance avec pare-brise. Pour les balances sans pare-brise, ignorez les étapes des instructions relatives au pare-brise.

4.5.1 Ouverture et fermeture des portes du pare-brise

- Ouvrez la porte manuellement à l'aide de la poignée (1).



4.5.2 Remise à zéro de la balance

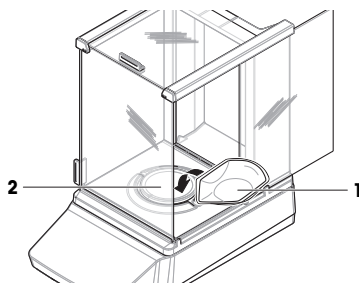
- 1 Ouvrez le pare-brise.
- 2 Libérez le plateau de pesage.
- 3 Fermez le pare-brise.
- 4 Appuyez sur  pour remettre à zéro la balance.

→ La balance est mise à zéro.


4.5.3 Tarage de la balance

Si vous utilisez un conteneur, la balance doit être tarée.

- La balance est mise à zéro.
- 1 Placez le conteneur (1) sur le plateau de pesage (2).
- 2 Appuyez sur →T← pour tarer la balance.
 - La balance est tarée. L'icône **Net** apparaît.



4.5.4 Réalisation d'un pesage

- 1 Ouvrez le pare-brise.
- 2 Placez l'objet à peser dans le conteneur.
- 3 Fermez le pare-brise.
- 4 Patientez jusqu'à ce que le détecteur d'instabilité **O** disparaisse.
 - Le résultat s'affiche.
- 5 Facultatif, si une imprimante est connectée : Appuyez sur  pour imprimer le résultat de pesée.

4.6 Utilisation de piles (balance compacte)

La balance peut également fonctionner sur piles. Dans des conditions de fonctionnement normales, la balance fonctionne indépendamment de l'alimentation secteur pendant environ 8 à 15 heures (avec des piles alcalines).

Juste après une interruption de l'alimentation secteur, la balance passe automatiquement en fonctionnement sur batterie. Cela peut arriver, par exemple, si la fiche d'alimentation est débranchée ou en cas de panne de courant. Une fois l'alimentation réseau rétablie, la balance repasse automatiquement en fonctionnement secteur.

La balance utilise huit piles AA standard (LR6). Il est préférable d'utiliser des piles alcalines.

Il est possible d'utiliser des piles rechargeables. Il n'est **pas** possible de charger les piles dans la balance.

Lorsque la balance fonctionne sur ses piles, le symbole de batterie s'allume sur l'écran. Le nombre de segments affichés sur le symbole de batterie indique le niveau de charge. Lorsque les piles sont presque totalement déchargées, le symbole de la pile clignote.

Voir aussi à ce sujet

 Écran de pesage principal ▶ page 12

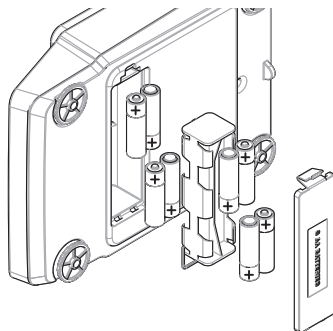
4.6.1 Insertion ou remplacement des piles

- Lisez et suivez tous les avertissements et les instructions fournis par le fabricant de la pile.
- Ne mélangez pas différents types ou marques de piles. La performance des piles varie selon le fabricant.
- Retirez les piles de la balance si elle ne doit pas être utilisée pendant un long moment.
- Éliminez les piles correctement, conformément aux réglementations locales.

Procédez comme suit :

- La balance s'éteint.
- Le plateau de pesage est retiré.
- 1 Faites pivoter la balance sur le côté avec précaution.

- 2 Ouvrez et retirez le capot du compartiment des piles.
- 3 Insérez/remplacez les piles en tenant compte de la polarité appropriée, comme indiqué sur le support de piles.
- 4 Insérez et fermez le capot du compartiment des piles.
- 5 Retournez délicatement la balance dans sa position normale.
- 6 Réinstallez tous les composants dans l'ordre inverse.



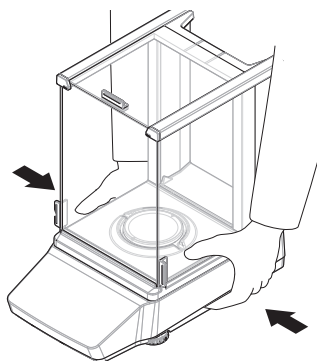
4.7 Transport, emballage et stockage

4.7.1 Transport de la balance sur des distances courtes

- 1 Débranchez l'adaptateur CA/CC et tous les câbles d'interface.
- 2 Tenez la balance avec les deux mains et transportez-la à l'horizontale jusqu'à l'endroit où vous allez l'installer. Tenez compte des exigences relatives à l'emplacement.

Procédez comme suit si vous souhaitez mettre la balance en service :

- 1 Branchez en ordre inverse.
- 2 Laissez suffisamment de temps à la balance pour chauffer.
- 3 Mettez la balance de niveau.
- 4 Effectuez un calibrage interne.



Voir aussi à ce sujet

- 🔗 Sélection de l'emplacement ▶ page 14
- 🔗 Mise sous tension de la balance ▶ page 19
- 🔗 Mise de niveau de la balance ▶ page 19
- 🔗 Réalisation d'un calibrage interne ▶ page 21

4.7.2 Transport de la balance sur de longues distances

METTLER TOLEDO recommande d'utiliser l'emballage d'origine pour transporter ou expédier la balance ou ses composants sur de longues distances. Les éléments de l'emballage d'origine ont été spécialement conçus pour la balance et ses composants. Ils garantissent donc une protection optimale durant le transport.

Voir aussi à ce sujet

- 🔗 Déballage de la balance ▶ page 15

4.7.3 Emballage et stockage

Emballage de la balance

Conservez tous les éléments de l'emballage en lieu sûr. Les éléments de l'emballage d'origine ont été spécialement conçus pour la balance et ses composants. Ils garantissent donc une protection optimale durant le transport et le stockage.

Stockage de la balance

Ne stockez la balance que dans les conditions suivantes :

- En intérieur et dans l'emballage d'origine ;
- Selon les conditions environnementales, voir « Caractéristiques techniques ».

Remarque

En cas de stockage de plus de 6 mois, la batterie rechargeable peut se décharger (seules la date et l'heure sont perdues).

Voir aussi à ce sujet

 Caractéristiques techniques ▶ page 30

5 Maintenance

L'utilisateur doit exécuter un certain nombre de tâches de maintenance pour assurer la fonctionnalité de la balance et l'exactitude de ses résultats de pesée.



Pour plus d'informations, consultez le manuel de référence (RM).

 www.mt.com/MA-RM

5.1 Tâches de maintenance

Action de maintenance	Intervalle recommandé	Remarques
Réalisation d'un calibrage interne	<ul style="list-style-type: none">• Tous les jours• Après le nettoyage• Après la mise de niveau• Après un changement d'emplacement	voir "Réalisation d'un calibrage interne"
Réalisation de tests de routine (essai d'excentration de charge, test de répétabilité, test de sensibilité). METTLER TOLEDO recommande d'effectuer au moins un test de sensibilité.	<ul style="list-style-type: none">• Après le nettoyage• Après l'assemblage de la balance• Après une mise à jour du logiciel• Selon votre réglementation interne (SOP)	voir "Tests" dans le Manuel de référence
Nettoyage	<ul style="list-style-type: none">• Après chaque utilisation• En fonction du degré de pollution• Selon votre réglementation interne (SOP)	voir "Nettoyage"
Mise à jour du logiciel	<ul style="list-style-type: none">• Selon votre réglementation interne (SOP).• Après une nouvelle version de logiciel.	voir "Mise à jour du logiciel" dans le Manuel de référence

Voir aussi à ce sujet

 Réalisation d'un calibrage interne ▶ page 21

 Nettoyage ▶ page 26

5.2 Nettoyage

5.2.1 Démontage en vue du nettoyage

Remarque

Les composants présentent un aspect différent d'un modèle de balance à l'autre.

Remarque

Dans la plupart des cas, il n'est pas nécessaire d'enlever la housse de protection pour nettoyer la balance.

5.2.1.1 Balances avec pare-brise



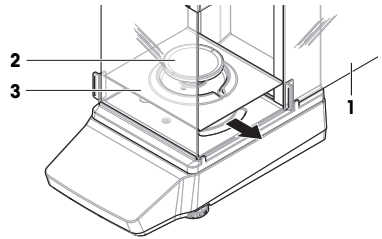
ATTENTION

Blessures causées par des objets tranchants ou des bris de verre

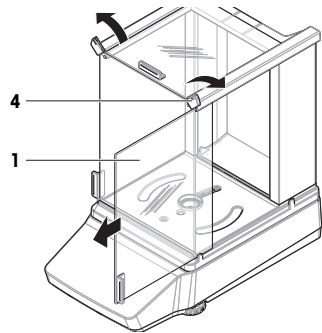
Les composants de l'instrument comme, par exemple, le verre, peuvent se casser et occasionner des blessures.

- Concentration et attention sont les maîtres mots.

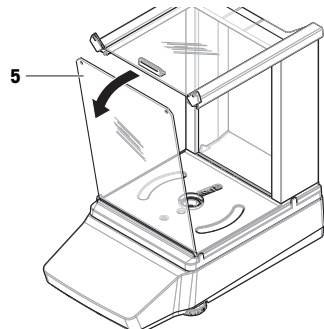
- 1 Ouvrez complètement la porte latérale (1).
- 2 Enlevez le plateau de pesage (2) et le plateau collecteur (3).



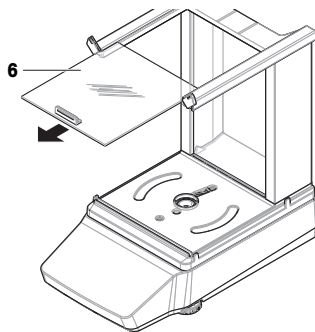
- 3 Faites tourner le QuickLock (4) et tirez la porte latérale (1) vers l'avant pour la retirer (droite, gauche).



- 4 Faites basculer le panneau avant (5) vers l'avant et soulevez-le pour l'enlever.



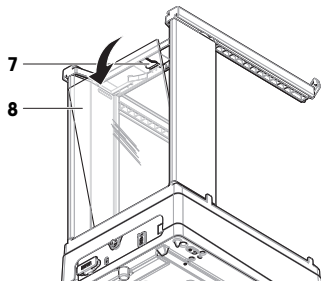
- 5 Tirez la porte supérieure (6) vers l'avant pour l'enlever.



- 6 Appuyez sur le bouton de déverrouillage (7) et faites basculer le panneau arrière (8) pour l'enlever.

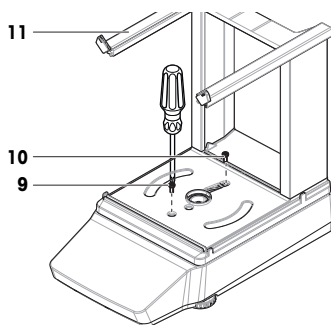
Remarque

Facultatif, si nécessaire : pour le nettoyage, enlevez la housse de protection comme décrit ci-dessous.

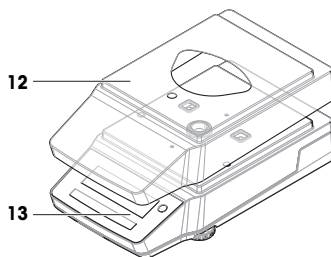


- 7 Retirez la vis avant (9) et la vis arrière (10) à l'aide d'un tournevis cruciforme.

- 8 Retirez le pare-brise (11).



- 9 Retirez la housse de protection (12) de la plateforme de pesage (13).

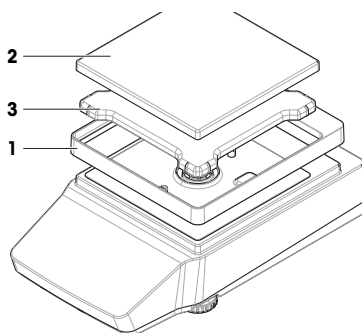


5.2.1.2 Balances sans pare-brise

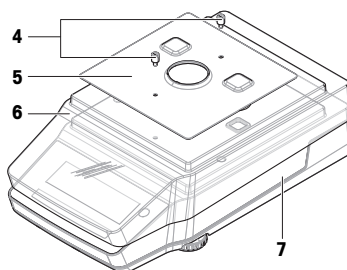
- 1 Enlevez le pare-brise de protection (1).
- 2 Enlevez le plateau de pesage (2).
- 3 Enlevez le support du plateau de pesage (3).

Remarque

Facultatif, si nécessaire : pour le nettoyage, enlevez la housse de protection comme décrit ci-dessous.

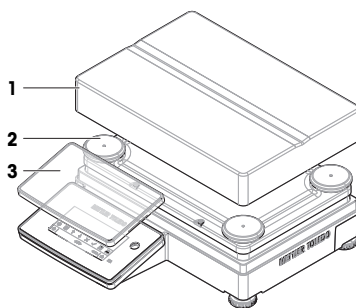


- 4 Retirez les vis (4) pour enlever la plaque CEM (5).
- 5 Retirez la housse de protection (6) de la plateforme de pesage (7).



5.2.1.3 Balances, grande taille

- 1 Retirez le plateau de pesage (1).
- 2 Retirez les patins d'appui (2).
- 3 En option, si vous le souhaitez : Pour le nettoyage, enlevez la housse de protection (3).



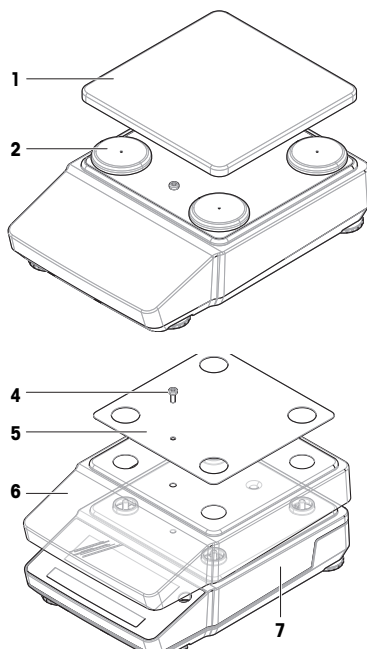
5.2.1.4 Balances, compactes

- 1 Retirez le plateau de pesage **1**.
- 2 Retirez les patins d'appui **(2)**.

Remarque

En option, si vous le souhaitez : pour le nettoyage, enlevez la housse de protection comme décrit ci-dessous.

- 3 Retirez la vis **(4)** pour enlever la plaque CEM **(5)**.
- 4 Retirez la housse de protection **(6)** de la plateforme de pesage **(7)**.



5.2.2 Nettoyage de la balance



AVIS

Dommages causés à l'instrument par l'utilisation de méthodes de nettoyage inappropriées

L'infiltration de liquide dans le boîtier peut endommager l'instrument. La surface de l'instrument peut être endommagée par certains produits de nettoyage, solvants ou abrasifs.

- 1 Ne pas pulvériser ni verser de liquide sur l'instrument.
- 2 Utiliser uniquement les produits de nettoyage indiqués dans le manuel de référence (MR) de l'instrument ou le guide "8 Steps to a Clean Balance".
- 3 Utiliser uniquement un chiffon légèrement humide et non pelucheux ou du papier absorbant pour nettoyer l'instrument.
- 4 Essuyez immédiatement toute trace de liquide.



Pour plus d'informations sur le nettoyage d'une balance, se reporter à "8 Steps to a Clean Balance".

► www.mt.com/lab-cleaning-guide

Nettoyage autour de la balance

- Éliminez toutes les poussières autour de la balance et évitez toute contamination supplémentaire.

Nettoyage du terminal

- Nettoyez le terminal à l'aide d'un chiffon humide ou de papier absorbant et d'un nettoyant doux.

Nettoyage des pièces amovibles

- Nettoyez les pièces démontées à l'aide d'un chiffon humide ou de papier absorbant et d'un nettoyeur doux ou passez-les au lave-vaisselle jusqu'à 80 °C.

Nettoyage de l'unité de pesage

- 1 Débranchez la balance de l'adaptateur CA/CC.
- 2 Utilisez un chiffon humide non pelucheux et un nettoyeur doux pour nettoyer la surface de la balance.
- 3 Enlevez d'abord les poudres et les poussières à l'aide d'un papier jetable.
- 4 Éliminez les substances collantes à l'aide d'un chiffon humide non pelucheux et d'un solvant doux (p. ex. isopropanol ou éthanol 70 %).

5.2.3 Mise en service après nettoyage

- 1 Remontez la balance.
- 2 Vérifiez que les portes du pare-brise (supérieure, latérales) s'ouvrent et se ferment normalement (selon le cas)
- 3 Raccordez la balance à l'adaptateur secteur.
- 4 Vérifiez le niveau et au besoin, procédez à une mise de niveau de la balance.
- 5 Respectez le temps de préchauffage indiqué dans les « Caractéristiques techniques ».
- 6 Effectuez un calibrage interne.
- 7 Effectuez un test de routine conformément à la réglementation interne de votre entreprise. METTLER TOLEDO recommande d'effectuer un test de sensibilité après le nettoyage de la balance.
- 8 Appuyez sur **→0←** pour remettre à zéro la balance.
 - ➔ La balance est prête à l'emploi.

Voir aussi à ce sujet

- 🔗 Mise de niveau de la balance » page 19
- 🔗 Caractéristiques techniques » page 30
- 🔗 Réalisation d'un calibrage interne » page 21


5.3 Entretien

Une maintenance régulière effectuée par un technicien de maintenance agréé garantit une fiabilité durable. Renseignez-vous auprès de votre représentant METTLER TOLEDO pour obtenir des informations sur les différentes solutions disponibles pour la maintenance.

6 Caractéristiques techniques

6.1 Données générales

Alimentation

Adaptateur secteur :	Entrée : 100 – 240 V CA \pm 10 %, 50 – 60 Hz, 0,5 A
	Sortie : 12 V CC, 1 A, LPS, LPS
Consommation électrique de la balance :	12 V CC \pm 10 %, 0,5 A
Polarité :	

Alimentation (en option)

Adaptateur secteur :	Entrée : 100 – 240 V CA \pm 10 %, 50 – 60 Hz, 0,8 A, 61 – 80 VA
	Sortie : 12 V CC, 2,5 A, LPS
Câble de l'adaptateur secteur :	3 conducteurs, avec fiche spécifique au pays
Consommation électrique de la balance :	12 V CC \pm 10 %, 0,5 A

Polarité :



Protection et normes

Catégorie de surtension :	II
Degré de pollution :	2
Indice de protection contre les infiltrations :	IP43 (balances de précision uniquement)

Remarque

L'indice IP indiqué est atteint uniquement lorsque la balance est prête à fonctionner. La housse de protection doit être installée et les capuchons doivent couvrir les connexions de l'interface.

Normes de sécurité et CEM :

Voir la déclaration de conformité

Gamme d'applications :

Utilisez uniquement le dispositif à l'intérieur, dans un endroit sec

Conditions environnementales

Les valeurs limites s'appliquent lorsque la balance est en service dans les conditions environnementales suivantes :

Altitude au-dessus du niveau moyen de la mer :	Jusqu'à 5 000 m
Température ambiante :	+10 – +30 °C
Écart de température, max. :	5 °C/h
Humidité relative :	30 – 70 %, sans condensation
Temps d'acclimatation :	Recommandation : Jusqu'à 4 heures pour les balances de précision ou jusqu'à 8 heures pour les balances analytiques. Ces valeurs s'appliquent après avoir installé la balance à l'endroit où elle sera mise en service.

Remarque

La durée d'acclimatation dépend de la précision d'affichage de la balance et des conditions environnementales.

Temps de préchauffage :

Au moins **30 minutes** pour les balances de précision ou **60 minutes** pour les balances analytiques. Ces valeurs s'appliquent après le raccordement de la balance à l'alimentation. Lors d'une mise en marche depuis le mode veille, la balance est immédiatement opérationnelle.

La balance peut être utilisée dans les conditions environnementales suivantes. Cependant, les performances de pesée de la balance peuvent dépasser les valeurs limites :

Température ambiante :	+5 – +40 °C
Humidité relative :	20 % à max. 80 % à 31 °C, décroissante de manière linéaire jusqu'à 50 % à 40 °C, sans condensation

La balance peut être débranchée et stockée dans son emballage dans les conditions suivantes :

Température ambiante :	-25 – +70 °C
Humidité relative :	10 – 90 %, sans condensation

7 Mise au rebut

Conformément à la directive européenne 2012/19/CE relative à la mise au rebut des équipements électriques et électroniques (WEEE), ce dispositif ne doit pas être jeté avec les déchets ménagers. Logiquement, ceci est aussi valable pour les pays en dehors de l'UE conformément aux réglementations nationales en vigueur.

Veillez éliminer cet appareil conformément aux prescriptions locales dans un conteneur séparé pour appareils électriques et électroniques. Pour toute question, adressez-vous aux autorités compétentes ou au revendeur chez qui vous avez acheté cet appareil. En cas de transmission de ce dispositif à des tiers, le contenu de cette réglementation doit également être joint.



8 Informations concernant la conformité

Les documents d'approbation au niveau national, comme la déclaration de conformité du fournisseur FCC, sont disponibles en ligne et/ou inclus dans l'emballage.

► www.mt.com/ComplianceSearch



Pour plus d'informations, consultez le manuel de référence (RM).

► www.mt.com/MA-RM

目录

1	简介	3
1.1	文档编制目的	3
1.2	更多文档和信息	3
1.3	缩略语	3
2	安全须知	4
2.1	提示语和警告标志的定义	5
2.2	产品安全说明	5
3	设计和功能	6
3.1	分析天平概述	6
3.2	小称台精密天平概述	7
3.3	大称台精密天平概述	7
3.4	紧凑称台精密天平概述	8
3.5	显示操作终端概述	8
3.6	接口连接概述	9
3.7	组件说明	9
3.7.1	防风罩	9
3.7.2	秤盘	10
3.7.3	承水盘	10
3.7.4	门把手	10
3.7.5	水平调节脚	10
3.7.6	显示操作终端	11
3.7.7	玻璃门和前面板QuickLock	11
3.7.8	后面板释放按钮	11
3.8	用户界面	11
3.8.1	主界面概述	11
3.8.2	主称量屏幕	13
4	安装与运行	15
4.1	选择位置	15
4.2	开箱取出天平	16
4.3	安装	16
4.3.1	带有防风罩的天平	17
4.3.2	不带防风罩的天平	19
4.3.3	大称台天平	19
4.3.4	紧凑称台天平	19
4.4	投入使用	20
4.4.1	连接天平	20
4.4.2	打开天平	20
4.4.3	调节天平水平	21
4.4.3.1	调节大称台天平水平	21
4.4.3.2	调节紧凑称台天平水平	22
4.4.3.3	调节所有其他天平水平	22

4.4.4	进行内部校正	23
4.4.5	进入/退出待机模式	23
4.4.6	进入/退出休眠模式	23
4.4.7	关闭天平	23
4.5	执行一项基础称量	24
4.5.1	打开和关闭防风门	24
4.5.2	天平归零	24
4.5.3	去皮	24
4.5.4	执行称量	24
4.6	使用电池（紧凑称台天平）	25
4.6.1	安装或更换电池	25
4.7	运输、包装和存储	26
4.7.1	短距离运输天平	26
4.7.2	远距离运输天平	26
4.7.3	包装和存储	26
5	维护	27
5.1	维护任务	27
5.2	清洁	27
5.2.1	拆卸以进行清洁	27
5.2.1.1	带有防风罩的天平	27
5.2.1.2	不带防风罩的天平	29
5.2.1.3	大称台天平	30
5.2.1.4	紧凑称台天平	30
5.2.2	清洁天平	31
5.2.3	清洁后投入使用	31
5.3	服务	32
6	技术数据	32
6.1	通用数据	32
7	废弃处理	33
8	合规性信息	33

1 简介

感谢您选择METTLER TOLEDO天平。这款天平具有优质性能且易于使用。

EULA

本产品中的软件按照METTLER TOLEDO软件的最终用户许可证协议（EULA）获得授权。

使用本产品表明您同意EULA的条款。

▶ www.mt.com/EULA

1.1 文档编制目的

本《用户手册》提供了关于使用该仪器的前期步骤简要说明。这样可确保操作安全高效。操作人员在执行任何任务之前必须仔细阅读并理解本手册。

1.2 更多文档和信息

公司网站提供本文档的其他语言版本。



▶ www.mt.com/MA-UM

产品页：

▶ www.mt.com/MA-balances

天平清洁说明，“8 Steps to a Clean Balance”：

▶ www.mt.com/lab-cleaning-guide

搜索软件：

▶ www.mt.com/labweighing-software-download

搜索文档：

▶ www.mt.com/library

如有更多疑问，请与您的授权 METTLER TOLEDO 经销商或服务代表联系。

▶ www.mt.com/contact

1.3 缩略语

原文	译文	说明
AC		Alternating Current (交流电)
ASTM		American Society for Testing and Materials (美国试验与材料协会)
DC		Direct Current (直流电)
EMC		Electromagnetic Compatibility (电磁兼容)
FCC		Federal Communications Commission (美国联邦通讯委员会)

GWP	Good Weighing Practice
HID	Human Interaction Device (人机交互设备)
ID	Identification (标识)
IP	Ingress Protection
LAN	Local Area Network (局域网)
LED	Light-Emitting Diode (发光二极管)
LPS	Limited Power Source (限功率电源)
MAC	Media Access Control (媒介访问控制)
MT-SICS	METTLER TOLEDO Standard Interface Command Set (METTLER TOLEDO标准接口命令集)
NA	Not Applicable (不适用)
OIML	Organisation Internationale de Métrologie Légale (国际法制计量组织)
RAM	Random Access Memory (随机存取存储器)
RM	Reference Manual (参考手册)
SOP	Standard Operating Procedure (标准操作程序)
UM	User Manual (简明用户手册)
USB	Universal Serial Bus (通用串行总线)
USP	United States Pharmacopeia (美国药典)

2 安全须知

本仪器随附《用户手册》和《参考手册》两个文档。

- 《用户手册》可在线查看，有多种语言版本可供选择。
- 仪器随附一份印刷版《用户手册》。
- 《参考手册》可在线查看。本手册包含仪器及其使用方法的完整说明。
- 请保留这两份文档，以供日后参考时使用。
- 当您将本仪器转让给其他方时，请将这两份文档包含其中。

必须按照《用户手册》和《参考手册》中的说明使用本仪器。如果您未能遵照这些文档中的说明使用本仪器，或者对本仪器进行改动，则可能会损害本仪器的安全性并且Mettler-Toledo GmbH不承担任何责任。

2.1 提示语和警告标志的定义

安全说明中包含关于安全问题的重要信息。忽视安全说明有可能造成人员受伤、仪器损坏、故障与结果错误。安全说明标注有下列警示语与警告标志：

警示语

危险	存在高风险的危险情况，如不加以避免，则会导致死亡或严重伤害。
警告	中等风险性危险情况，如不加以避免，可能会造成死亡或严重伤害。
小心	风险性较低的危险情况，如不规避会造成轻微或中度受伤。
注意	存在低风险的危险情况，有可能损坏仪器和导致其他实质性损坏、故障、错误结果或数据丢失。

警告标志



一般风险



注意

2.2 产品安全说明

目标用途

本仪器供经培训人员使用。该仪器专为称量而设计。

未经 Mettler-Toledo GmbH 许可，超过 Mettler-Toledo GmbH 规定限制的任何其他类型的使用和操作均视为非目标用途。

仪器所有者的责任

仪器所有者指对仪器具有合法所有权、使用仪器或授权任何人使用仪器，或者在法律上认定为仪器操作人员的个人。仪器所有者负责仪器所有使用者与第三方的安全。

Mettler-Toledo GmbH 假定仪器所有者对用户进行培训，使其了解如何在工作场所安全使用仪器和处理潜在危险。Mettler-Toledo GmbH 假定仪器所有者提供必要的防护装备。

安全注意事项



警告

触电会造成重伤或死亡

接触带电零件有可能造成伤亡。

- 1 仅使用仪器专用METTLER TOLEDO电源线和交流/直流适配器。
- 2 将电源线连接至接地电源插座。
- 3 将所有电缆与接头放置在远离液体和潮湿的地方。
- 4 检查电缆与电源插头有无损坏，如有损坏请更换。



注意

因使用不合适的部件而损坏仪器或发生故障

- 仅可使用METTLER TOLEDO提供的专用于您的仪器的部件。

有关备件和附件清单，请参见《参考手册》。

3 设计和功能

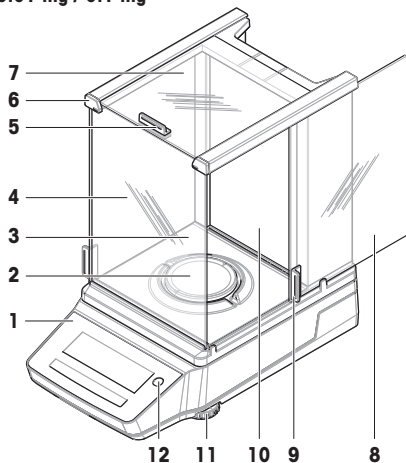


有关更多信息，请查阅《参考手册（RM）》。

► www.mt.com/MA-RM

3.1 分析天平概述

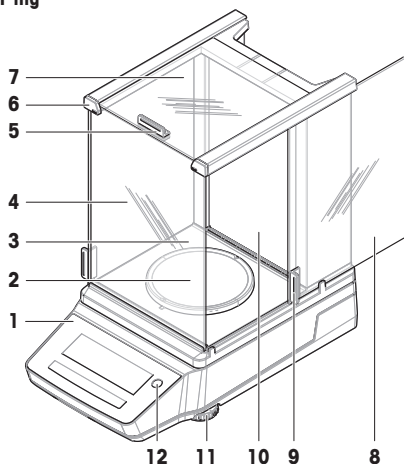
0.01 mg / 0.1 mg



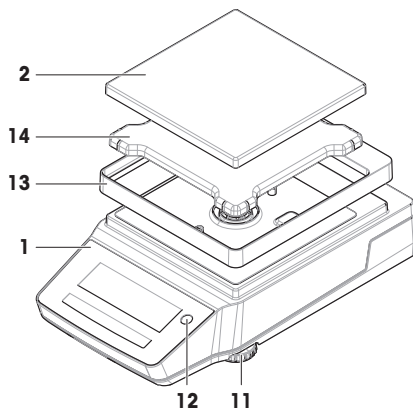
1	显示操作终端	7	防风罩顶门
2	秤盘	8	防风罩侧门（右/左）
3	承水盘	9	侧门把手
4	防风罩前面板	10	防风罩后面板
5	顶门把手	11	水平调节脚
6	QuickLock, 前面板	12	水平指示器

3.2 小称台精密天平概述

1 mg



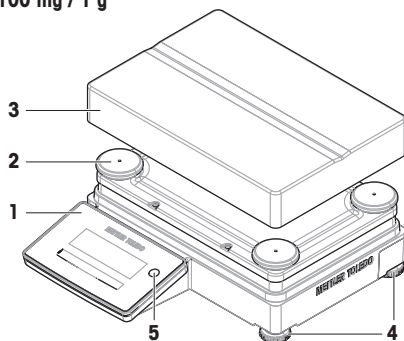
10 mg / 100 mg



1	显示操作终端	8	防风罩侧门 (右/左)
2	秤盘	9	侧门把手
3	承水盘	10	防风罩后面板
4	防风罩前面板	11	水平调节脚
5	顶门把手	12	水平指示器
6	QuickLock, 前面板	13	防风保护元件
7	防风罩顶门	14	秤盘支架

3.3 大称台精密天平概述

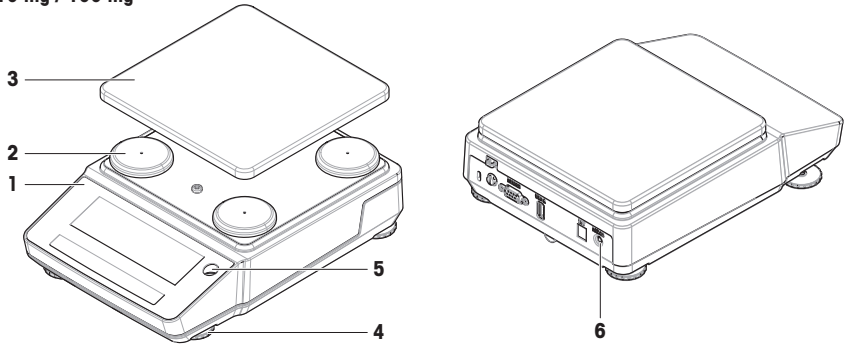
100 mg / 1 g



1	显示操作终端	4	水平调节脚
2	秤盘支架帽	5	水平指示器
3	秤盘		

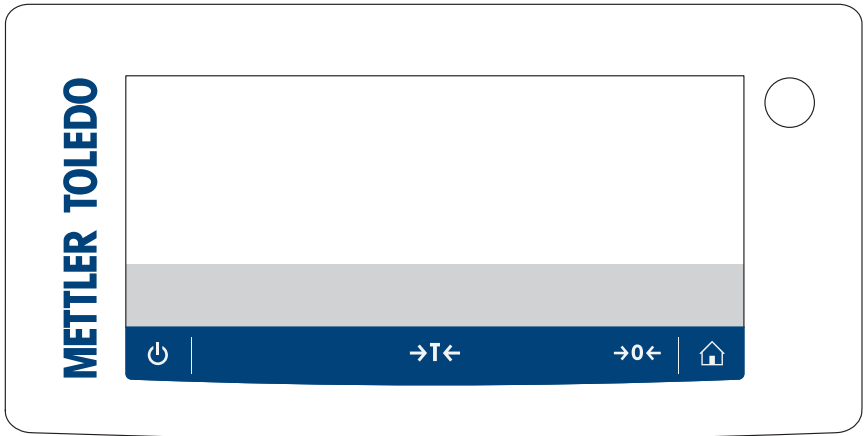
3.4 紧凑称台精密天平概述





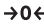

10 mg / 100 mg



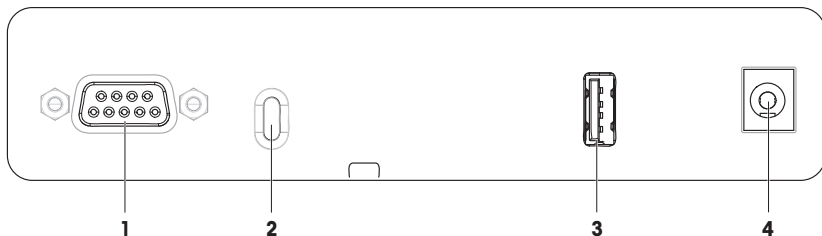
1	显示操作终端	4	水平调节脚
2	秤盘支架帽	5	水平指示器
3	秤盘	6	唤醒开关 (电池模式)

3.5 显示操作终端概述



名称	描述
 待机	<p>通过点按，天平不会完全处于关闭状态，但可以进入待机模式。如果要完全关闭天平，则必须断开电源。</p> <p>信息 除非长时间不使用天平，否则请勿断开天平电源。开启仪器后，必须先进行预热，才能获得准确的结果。</p> <p>信息 仅适用于处于电池模式下的紧凑称台天平： 通过点按，可将天平完全关闭。无待机模式。</p>
 去皮	<p>天平去皮。</p> <p>此功能适用于称量过程中使用容器的情况。在对天平去皮之后，屏幕将显示<code>Net</code>，其表示所有显示的称量值均为净值。</p>
 归零	<p>天平归零。</p> <p>在开始称量过程前，天平必须归零。在归零之后，天平将设置新的零点。</p>
 主页	从任何设置菜单级返回当前设置或上次使用的应用程序的主称量屏幕。

3.6 接口连接概述

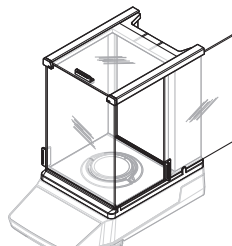


1	RS232C串行接口	3	USB-A端口
2	防盗索连接点	4	交流/直流适配器插座

3.7 组件说明

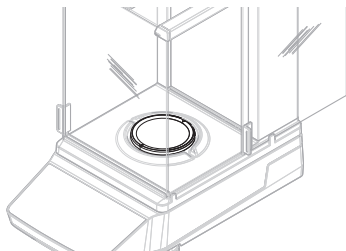
3.7.1 防风罩

防风罩用于保护称量区域免受通风或潮湿等环境的影响。侧门和顶门可手动打开。



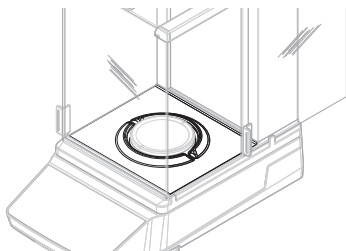
3.7.2 秤盘

秤盘是载荷接收器，用于放置称量品。



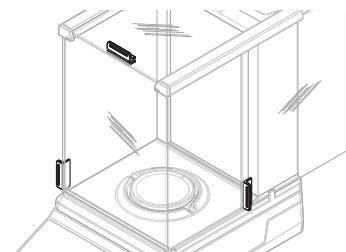
3.7.3 承水盘

承水盘位于秤盘下方。承水盘的主要作用是确保快速清洁天平。



3.7.4 门把手

门把手安装在防风门上。把手用于手动打开防风罩的侧门和顶门。

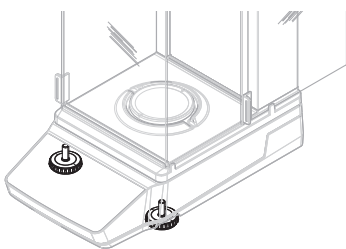


3.7.5 水平调节脚

天平具有可调节高度的支脚。这些支脚用于调节天平水平。

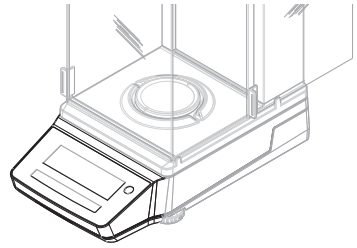
❏ 信息

大称台天平和紧凑称台天平均有四个水平调节脚。



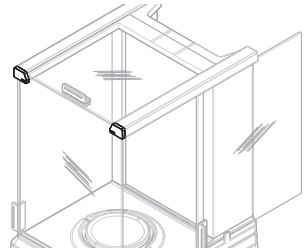
3.7.6 显示操作终端

显示操作终端集成在天平中，并配有液晶显示屏。显示操作终端和称台由可更换的罩子保护。



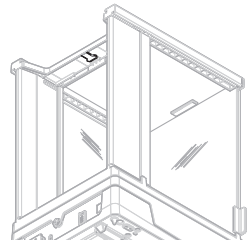
3.7.7 玻璃门和前面板QuickLock

根据位置，QuickLock用于锁定/解锁防风罩的顶门、侧门和前面板。



3.7.8 后面板释放按钮

释放按钮用于锁定/解锁防风罩的后面板。



3.8 用户界面

3.8.1 主界面概述

主称量屏幕 (1) 可显示称重结果，提供有关天平状态的反馈。通过主导航元件 - 操作键 (2)，可访问和选择所有菜单和设置。




	名称	描述
1	主称量屏幕	显示称重结果，提供有关天平状态的信息。
2	操作键	利用这些键可访问天平菜单和功能。

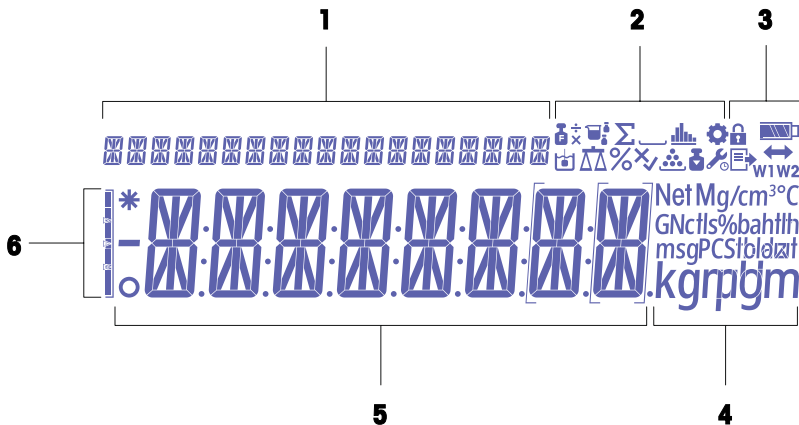
操作键

	名称	描述
	设置	访问设置菜单。
	应用	访问应用程序菜单。
	上一个/上/增加	<ul style="list-style-type: none"> 在主题列表中向上滚动。 在设置1、设置2和应用设置（如果可用）之间进行切换。 增加数字。 在应用程序内添加采集的重量。
	下一个/下/减小	<ul style="list-style-type: none"> 在主题列表中向下滚动。 在设置1、设置2和应用设置（如果可用）之间进行切换。 减小数字。
	取消	取消任务或退出菜单且不保存。
	确认	<ul style="list-style-type: none"> 访问选定的菜单。 启动选定的应用程序。 确认输入。
	校正	执行预设的校正程序。
	打印/传输	<ul style="list-style-type: none"> 打印所显示的值。 打印活动用户菜单的设置。 将数据传输至预设的目标位置。

可参阅

 主称量屏幕 ▶ 第13页




3.8.2 主称量屏幕



1	指令文本	4	单位图标
2	应用程序图标	5	称量值/菜单标签/参数标签/参数值
3	状态图示	6	称量辅助

应用程序图标

名称	描述
"除法自由因子称量"应用程序	"除法自由因子称量"应用程序用预设的自由因子除以称量值（单位：克）：结果=自由因子/称量值 将结果四舍五入到预设的小数位数。
"乘法自由因子称量"应用程序	"乘法自由因子称量"应用程序将称量值（单位：克）乘以预设的自由因子：结果=自由因子×称量值 将结果四舍五入到预设的小数位数。
"配方称量"应用程序	"配方称量"（净重 - 总重配方）应用程序具有多种用途。 <ul style="list-style-type: none"> 称量（添加并保存）多达999种独立组分的质量，并显示总重。如果连接打印机，则会打印各个组分的质量及其总重。 预设皮重或去皮并保存多达999个容器的质量，并显示总重。如果连接打印机，则会打印每次的皮重以及总重。 通过添加附加组分至更高的值，填充所有组件净重值的总和。
"总和计算"应用程序	利用"总和计算"应用程序，您可以连续加载相互独立的样品质量然后进行总和计算。天平最多可总和计算999个样品质量。
"统计数据"应用程序	利用"统计数据"应用程序可以自动生成一系列样品称量值的统计结果，最多可统计999个样品质量。
"动态称量"应用程序	利用"动态称量"应用程序，您可以测定不稳定样品的称量值或者不稳定周围环境条件下的样品的称量值。在此情况下，天平将会计算在指定时间内的多次称量的平均值。
应用程序 密度	利用该应用程序， 密度 您可以测定固体和液体的密度。密度测定采用了"阿基米德定律"：浸在液体中物体的表现质量损失等于其所排开的液体的质量。

	名称	描述
	应用程序 称量	利用该应用程序， 称量 完成基础称量任务或执行一系列测量。
	应用程序 检重称量	利用该应用程序， 检重称量 您可以检查样品在预设的目标参考质量允差范围内的质量偏差。
	应用程序 计件	利用该应用程序， 计件 您可以确定放置在秤盘上的物品件数。

状态图示

	名称	描述
	菜单设置已激活	菜单设置已激活，可以调整。
	菜单设置已锁定	菜单设置已锁定，无法调整。
	内部校正已开始	天平内部校正已开始。
	维修提醒	下次维修时间已到。
	发布	数据正在发布中。
	电池电量状态	仅限紧凑称台天平： 指示电池电量水平。 <ul style="list-style-type: none"> ：电池满电量 ：电池剩余3/4电量 ：电池剩余1/2电量 ：电池剩余1/4电量 ：电池电量耗尽
	连接	数据连接到其他设备。
W1	称量范围1	称量范围1已激活。
W2	称量范围2	称量范围2已激活。
Net	净重数值	“Net”表示所有显示的称量值为净值。
G	毛重值	显示毛重值。
M	已保存的数值（存储器）	显示天平存储器中已保存的数值。

标签图标

	名称	描述
*	计算值	表示所显示的值已计算。

	名称	描述
○	不稳定值	表示所显示的值不稳定，会随着时间的推移发生改变。
[]	未经认证的数字	在大括号内表示未经认证的数字（仅限已批准的天平型号）。

4 安装与运行

4.1 选择位置

天平是灵敏的精密仪器。它所处的位置将对称重结果的准确性产生重要影响。

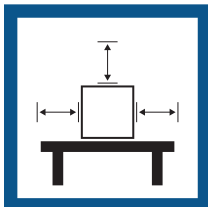
位置要求

放在室内稳定的工作台上

确保足够的空间

将仪器调平

提供充足照明

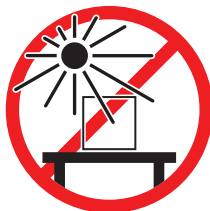


避免阳光直射

避免震动

无强烈气流

避免温度波动



考虑环境条件。请参阅"技术参数"。

为天平留有足够的空间：与周围的仪器至少相距15 cm

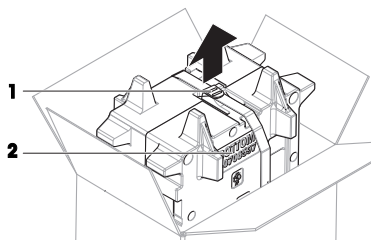
4.2 开箱取出天平

检查包装、包装元件和交付的组件是否有损坏。如果任何组件损坏，请联系您的METTLER TOLEDO服务代表。

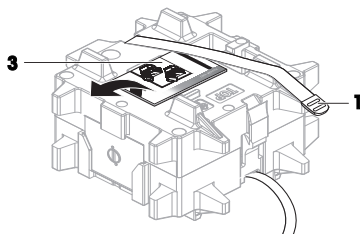
信息

根据天平型号的不同，包装元件和组件外观可能不同。

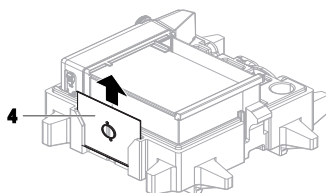
- 1 开箱，使用提带将包装抬出（1）。
- 2 将包装放在水平表面上，使文字BOTTOM（2）朝下。



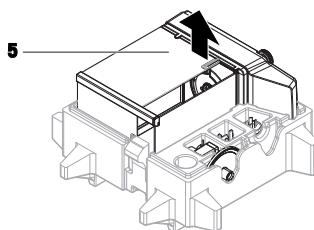
- 3 打开提带（1），取出用户手册（3）。



- 4 拆除包装的上半部分，小心拆开承水盘（4）。



- 5 小心拆开天平（5）和所有其他物品的包装。
- 6 移除防护袋。
- 7 安装好称台和显示操作终端上的保护盖。
- 8 将所有包装部件安全存储，以便将来使用。
 - ▶ 天平已准备就绪，可进行安装。



4.3 安装

信息

根据天平型号的不同，组件外观可能不同。

4.3.1 带有防风罩的天平



⚠️ 小心

尖锐物体或破碎的玻璃造成伤害

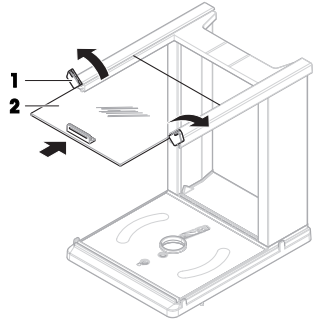
仪器部件（例如，玻璃）会破裂并导致受伤。

- 务必集中精力并小心操作。

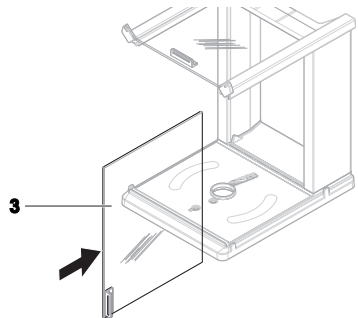
📄 信息

首次打开天平包装或者防风罩已经装配好且安装在称台上时，跳过步骤1 - 5。

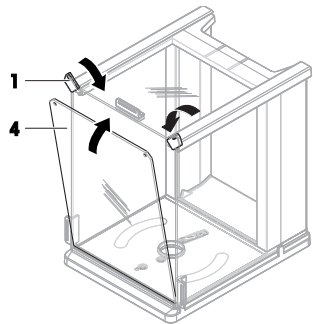
- 1 装配防风罩：转动QuickLock（1、右、左）并滑动顶门（2）。



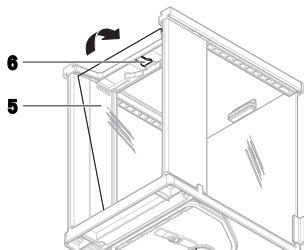
- 2 滑入侧门（3）（右、左）。



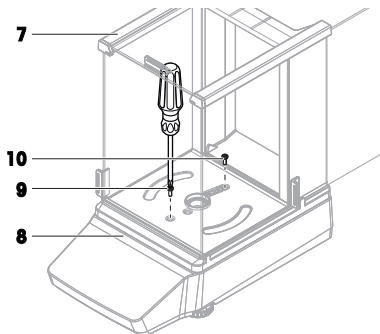
- 3 连接前面板（4），然后转动QuickLock（1、右、左），将面板固定到位。



4 安装后面板（5）。确保释放按钮（6）正确卡入。

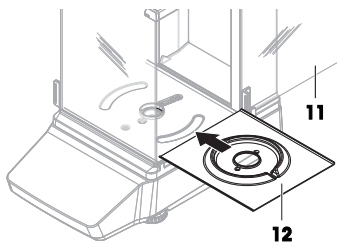


5 用十字螺丝刀固定前螺钉（9）和后螺钉（10），以将防风罩（7）固定到称台（8）上。



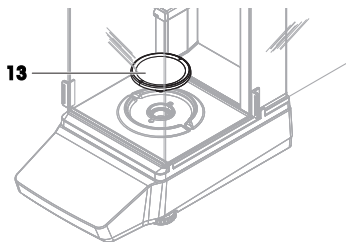
6 完全打开侧门（11）

7 插入承水盘（12）。



8 安装秤盘（13）。

➔ 天平准备就绪。



4.3.2 不带防风罩的天平

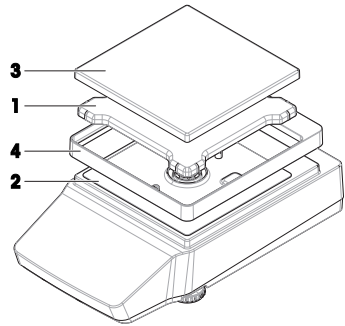
- 1 将秤盘支架 (1) 置于称台顶部 (2)。

信息

为了保护您的天平，请安装好称台 (2) 上的保护盖。

- 2 将秤盘 (3) 置于秤盘支架 (1) 顶部。
- 3 将防风元件 (4) 放在称台顶部 (2)。

➔ 天平准备就绪。



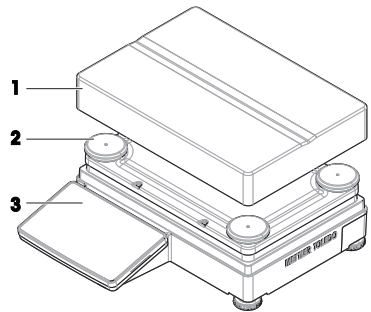
4.3.3 大称台天平

- 将秤盘 (1) 置于秤盘支架帽 (2) 顶部。

信息

为了保护您的天平，请确保在显示操作终端 (3) 上安装好保护罩。

➔ 天平准备就绪。



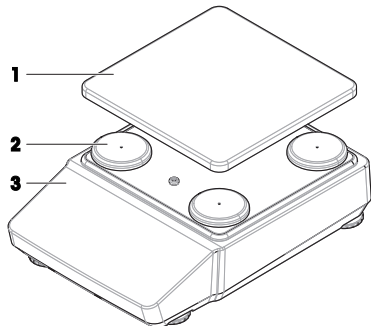
4.3.4 紧凑称台天平

- 将秤盘 (1) 置于秤盘支架帽 (2) 顶部。

信息

为了保护您的天平，请安装好称台 (3) 上的保护盖。

➔ 天平准备就绪。



4.4 投入使用

4.4.1 连接天平



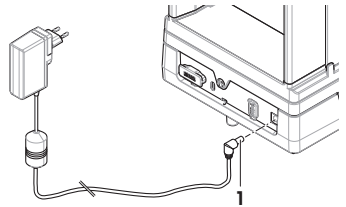
警告

触电会造成重伤或死亡

接触带电零件有可能造成伤亡。

- 1 仅使用仪器专用METTLER TOLEDO电源线和交流/直流适配器。
- 2 将电源线连接至接地电源插座。
- 3 将所有电缆与接头放置在远离液体和潮湿的地方。
- 4 检查电缆与电源插头有无损坏，如有损坏请更换。

- 1 以这种方式安装电缆，确保其不会受损或干扰操作。
- 2 将交流/直流适配器(1)插头插入仪器的电源入口。
- 3 将电源插头插入接地电源插座中。
 - ➔ 天平自动开启。



信息

切勿将此仪器连接至由开关控制的电源插座。开启仪器后，必须先对其进行预热，才能获得准确的结果。

可参阅

🔗 通用数据 ▶ 第32页

4.4.2 打开天平

接通电源后，天平会自动开启。

适应环境和预热

在确保其能提供可靠结果前，天平必须：

- 适应室温条件
- 接通电源进行预热

“通用数据”中提供了天平适应环境的时间和预热时间。

信息

当天平退出待机状态时，将立即就绪。

可参阅

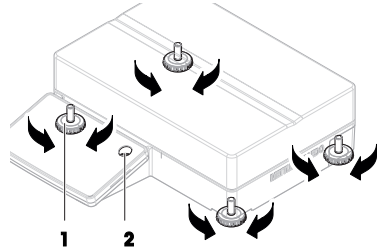
- 🔗 通用数据 ▶ 第32页
- 🔗 进入/退出待机模式 ▶ 第23页
- 🔗 进入/退出休眠模式 ▶ 第23页
- 🔗 关闭天平 ▶ 第23页

4.4.3 调节天平水平

准确的水平和平稳定位是获得可重复且精确的称量结果的必要条件。

4.4.3.1 调节大称台天平水平

- 1 完全旋入所有水平调节脚。
- 2 除左后水平调节脚外，将所有水平调节脚旋出两到三圈。
- 3 转动水平调节脚（1），直到气泡处于水平指示器（2）的中心。请根据以下示例继续操作。
- 4 旋出左后水平调节脚，直到其与工作台表面接触。
 - ➔ 所有这四个水平调节脚可调节天平水平，并对天平起到支撑作用。



示例

气泡在12点钟的位置时：



顺时针转动两只前水平调节脚。
逆时针转动右后水平调节脚。

气泡在3点钟的位置时：



顺时针转动左前水平调节脚，逆时针转动右前水平调节脚。
逆时针转动右后水平调节脚。

气泡在6点钟的位置时：

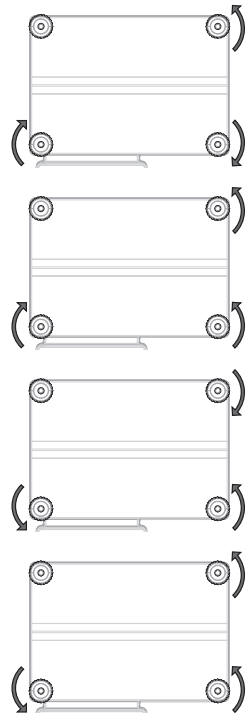


逆时针转动两只前水平调节脚。
顺时针转动右后水平调节脚。

气泡在9点钟的位置时：

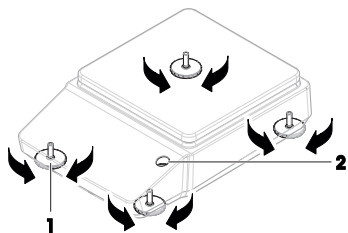


逆时针转动两只前水平调节脚。
逆时针转动右后水平调节脚。



4.4.3.2 调节紧凑称台天平水平

- 1 完全旋入两个后水平调节脚。
- 2 将两个前水平调节脚旋出两到三圈。
- 3 转动前水平调节脚（1），直到气泡处于水平指示器（2）的中心。请根据以下示例继续操作。
- 4 旋出两个后水平调节脚，直到其与工作台表面接触。
→ 所有这四个水平调节脚可调节天平水平，并对天平起到支撑作用。



示例

气泡在12点钟的位置时：



顺时针转动这两只水平调节脚。



气泡在3点钟的位置时：



顺时针转动左水平调节脚，逆时针转动右水平调节脚。



气泡在6点钟的位置时：



逆时针转动这两只水平调节脚。



气泡在9点钟的位置时：

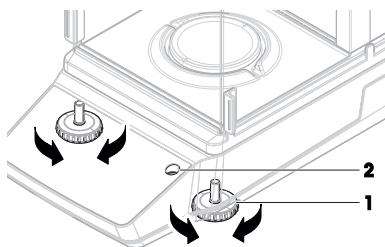


逆时针转动左水平调节脚，顺时针转动右水平调节脚。



4.4.3.3 调节所有其他天平水平

- 转动水平调节脚（1），直到气泡处于水平指示器（2）的中心。



示例

气泡在12点钟的位置时:



顺时针转动这两只水平调节脚。



气泡在3点钟的位置时:



顺时针转动左水平调节脚，逆时针转动右水平调节脚。



气泡在6点钟的位置时:



逆时针转动这两只水平调节脚。



气泡在9点钟的位置时:



逆时针转动左水平调节脚，顺时针转动右水平调节脚。



4.4.4 进行内部校正

- 1 在主称量屏幕上，按下。
→ ADJ.INT显示。
- 2 按下。
→ 执行校正。
→ 出现校正结果。
- 3 按下。
→ 天平已准备就绪。

4.4.5 进入/退出待机模式

- 1 要进入待机模式，按下不超过2秒。
→ 显示屏亮度降低，显示屏中的信息可见。天平仍然处于开启状态。
- 2 要退出待机模式，请按。
或者，点击秤盘，或将砝码放在秤盘上。
→ 显示屏打开。

4.4.6 进入/退出休眠模式

信息

仅与处于电池模式下的紧凑称台天平相关。

- 1 要进入休眠模式，按下不超过2秒。
→ 显示屏关闭。天平处于休眠模式。
- 2 要退出休眠模式，按下天平后侧的唤醒开关。
→ 显示屏打开。

4.4.7 关闭天平

要完全关闭天平，则必须断开电源。按下，天平仅进入待机模式。

信息

当天平完全关闭一段时间后，必须将其预热方可使用。

可参阅

- 🔗 打开天平 ▶ 第20页
- 🔗 进入/退出待机模式 ▶ 第23页
- 🔗 进入/退出休眠模式 ▶ 第23页

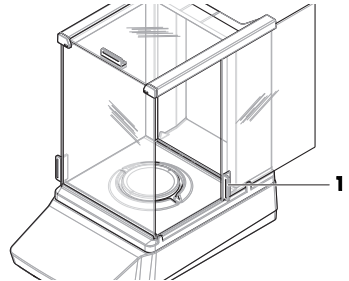
4.5 执行一项基础称量

📄 信息

以带有防风罩的天平为例说明该过程。对于不带防风罩的天平，只需跳过有关防风罩的说明步骤即可。

4.5.1 打开和关闭防风门

- 使用门把手（1）来手动打开门。



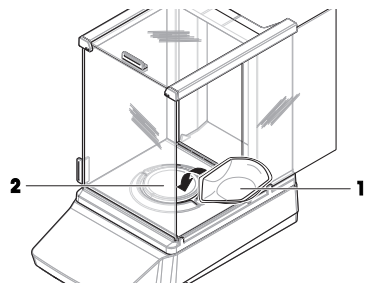
4.5.2 天平归零

- 1 打开防风罩。
- 2 清空秤盘。
- 3 关闭防风罩。
- 4 按→0←可将天平归零。
 - ➔ 天平已归零。

4.5.3 去皮


如果使用样品容器，则必须进行天平去皮。

- 天平已归零。
- 1 将样品容器（1）放在秤盘（2）上。
- 2 短按→T←为天平去皮。
 - ➔ 天平已去皮。此时出现Net图标。



4.5.4 执行称量

- 1 打开防风罩。
- 2 将称重物放在样品容器上。

- 3 关闭防风罩。
- 4 等待直至不稳定度检测器○消失。
 - ➔ 将显示结果。
- 5 可选，如连接有打印机：按下打印称重结果。

4.6 使用电池（紧凑称台天平）

天平还支持由电池供电运行。在正常操作情况下，不用交流电源，天平能运行约8-15小时（使用碱性电池）。


交流电源断开后，天平会立即自动切换为电池供电运行。例如，在拔出电源插头或出现电源故障时，就可能会发生这种情况。交流电源恢复后，天平会自动切换回交流电源供电运行。

天平使用八节标准AA电池（LR6）。优先选用碱性电池。

可使用可充电电池。天平内部的电池**无法**充电。

当天平靠电池工作时，显示屏中的电池符号会亮起。电池符号中显示的格数可指示电池电量水平。电池的电量即将耗尽时，电池符号会闪烁。

可参阅

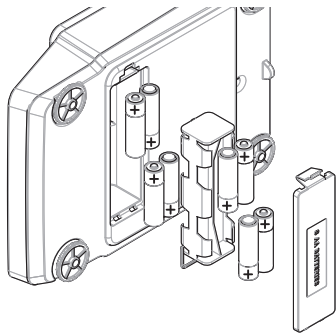
 主称量屏幕 ▶ 第13页

4.6.1 安装或更换电池

- 以下是电池制造商所提供的安全警告和指导，请阅读并遵守：
- 请不要将不同型号、不同品牌的电池混着使用。电池的性能随制造商不同而变化。
- 若长期不用天平，取下电池。
- 必须依照地方规定正确处理电池。

请按以下步骤操作：

- 天平关闭。
 - 秤盘已取下。
- 1 将天平小心地侧放。
 - 2 打开并取走电池盒的保护盖。
 - 3 根据电池盒所示的+和-极性符号来安装/更换电池。
 - 4 再次装上电池盒的保护盖。
 - 5 将天平小心地放回正常位置。
 - 6 通过相反的顺序简单地重新安装所有的附件。



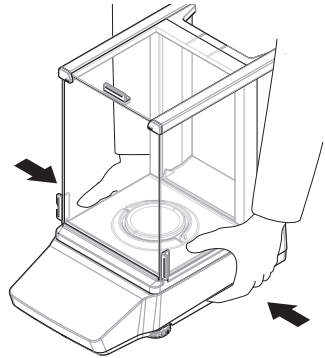
4.7 运输、包装和存储

4.7.1 短距离运输天平

- 1 断开与AC/DC适配器的连接并拔下所有接口线缆。
- 2 双手拿稳天平，将其水平移动至目标位置。注意位置要求。

若要将天平投入使用，则按照以下步骤操作：

- 1 按相反的顺序连接。
- 2 给天平足够的时间进行预热。
- 3 将天平调平。
- 4 执行内部校正。



可参阅

- 🔗 选择位置 ▶ 第15页
- 🔗 打开天平 ▶ 第20页
- 🔗 调节天平水平 ▶ 第21页
- 🔗 进行内部校正 ▶ 第23页

4.7.2 远距离运输天平

METTLER TOLEDO 在远距离运输或运送天平或者天平组件时，建议使用原始包装。原始包装元件是专门针对天平及其组件设计的，可确保在运输期间提供最佳保护。

可参阅

- 🔗 开箱取出天平 ▶ 第16页

4.7.3 包装和存储

包装天平

将所有包装部件安全存储。原始包装元件专门针对天平及其组件设计，可确保在运输或存储期间提供最佳保护。

存储天平

仅在以下条件下存储天平：

- 室内且在原始包装中
- 根据环境条件，请参阅“技术资料”

i 信息

当存储时间超过6个月时，充电电池可能没电（仅丢失日期和时间）。

可参阅

- 🔗 技术数据 ▶ 第32页

5 维护

为了保证天平的功能性和称量结果的准确性，用户必须执行一些保养。



有关更多信息，请查阅《参考手册（RM）》。

▶ www.mt.com/MA-RM

5.1 维护任务

维护作业	推荐的维护间隔	备注
进行内部校正	<ul style="list-style-type: none"> • 每天 • 清洁后 • 调平后 • 更换放置位置后 	请参见"执行内部校正"
进行日常测试（四角误差测试、重复性测试、灵敏度测试）。 METTLER TOLEDO 建议至少进行一次灵敏度测试。	<ul style="list-style-type: none"> • 清洁后 • 安装天平后 • 软件升级后 • 取决于您的内部规定（SOP） 	请参阅《参考手册》中的"测试"
清洁	<ul style="list-style-type: none"> • 每次使用后 • 根据污染度 • 取决于您的内部规定(SOP) 	请参阅"清洁"
更新软件	<ul style="list-style-type: none"> • 取决于您的内部规定（SOP）。 • 新软件发布后。 	请参阅《参考手册》中的"软件更新"

可参阅

🔗 进行内部校正 ▶ 第23页

🔗 清洁 ▶ 第27页

5.2 清洁

5.2.1 拆卸以进行清洁

📘 信息

根据天平型号的不同，组件外观可能不同。

📘 信息

在大多数情况下，无需拆除保护盖即可清洁天平。

5.2.1.1 带有防风罩的天平



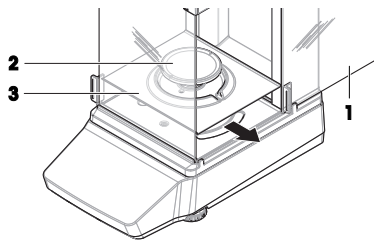
⚠️ 小心

尖锐物体或破碎的玻璃造成伤害

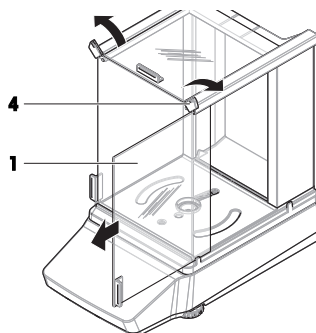
仪器部件（例如，玻璃）会破裂并导致受伤。

- 务必集中精力并小心操作。

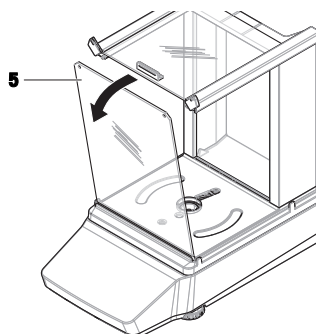
- 1 完全打开侧门 (1)。
- 2 拆除秤盘 (2) 和承水盘 (3)。



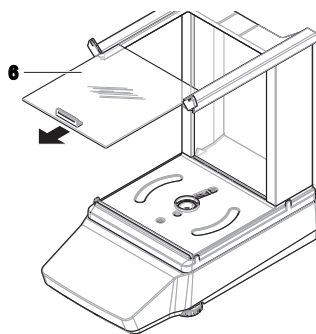
- 3 转动快锁装置 (4) 并向前拉动侧门 (1) 以将其卸下 (右、左)。



- 4 向前倾斜前面板 (5) 并将其向上抬起以将其拆除。



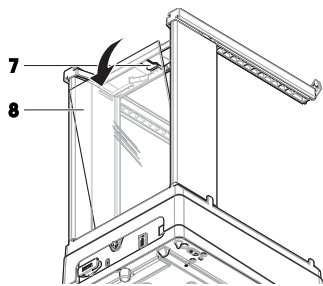
- 5 向前拉动顶门 (6)，将其卸下。



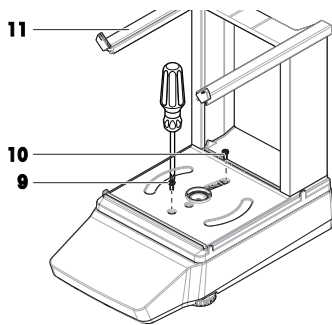
- 按下释放按钮 (7) 并倾斜后玻璃面板 (8) 以将其拆除。

信息

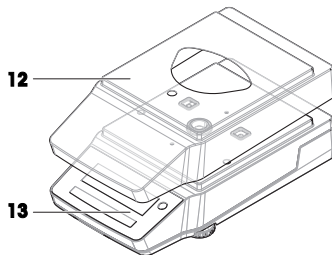
如果需要, 可选择: 按照如下所述拆除保护罩以进行清洁。



- 使用十字螺丝刀拆下前螺钉 (9) 和后螺钉 (10)。
- 拆下防风罩 (11)。



- 取下称台 (13) 的保护罩 (12)。

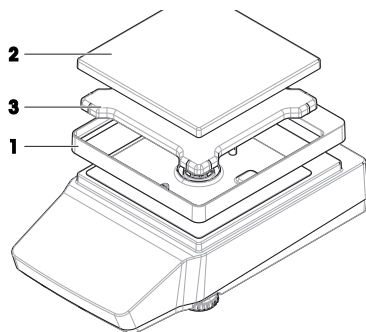


5.2.1.2 不带防风罩的天平

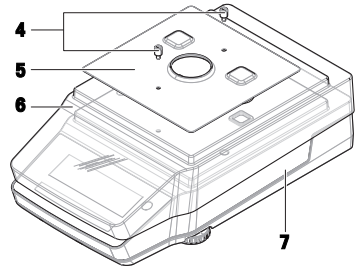
- 取下防风保护元件 (1)。
- 取下秤盘 (2)。
- 取下秤盘支架 (3)。

信息

如果需要, 可选择: 按照如下所述拆除保护罩以进行清洁。

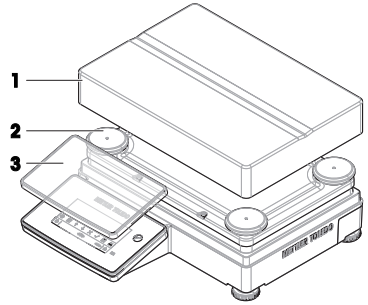


- 4 卸下螺钉 (4) 以拆除EMC板 (5)。
- 5 取下称台 (7) 的保护罩 (6)。



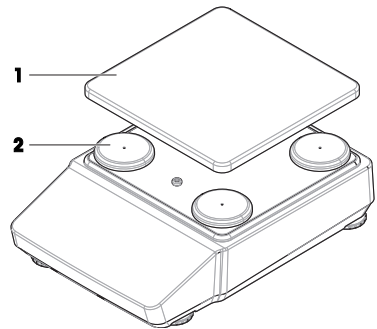
5.2.1.3 大称台天平

- 1 取下秤盘 (1)。
- 2 取下支架帽 (2)。
- 3 如果需要, 可选择: 拆除保护罩 (3) 以进行清洁。

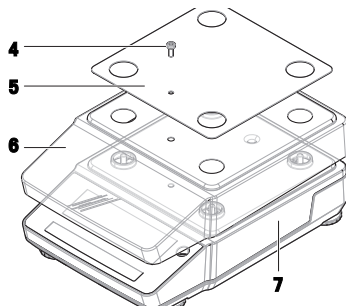


5.2.1.4 紧凑称台天平

- 1 取下秤盘 (1)。
 - 2 取下支架帽 (2)。
- 信息**
如果需要, 可选择: 按照如下所述拆除保护罩以进行清洁。



- 3 卸下螺钉 (4) 以拆除EMC板 (5)。
- 4 取下称台 (7) 的保护罩 (6)。



5.2.2 清洁天平



注意

因清洗方法不正确而损坏仪器

如果液体进入外壳，则有可能损坏仪器。某些清洗剂、溶剂或研磨剂可能会损坏仪器表面。

- 1 请勿向仪器喷洒或倾倒液体。
- 2 仅使用仪器参考手册 (RM) 或指南“8 Steps to a Clean Balance”中指定的清洁剂。
- 3 务必使用略微湿润的无绒布或纸巾清洁仪器。
- 4 立即拭去任何溅出物。



关于清洁天平的更多信息，请参阅“8 Steps to a Clean Balance”。

▶ www.mt.com/lab-cleaning-guide

清洁天平的周围

- 去除天平周围的任何灰尘或污垢，避免进一步的污染。

清洁终端

- 使用湿布或纸巾及温和清洗剂清洁终端。

清洁可拆卸部件

- 使用湿布或纸巾和温和清洗剂清洁拆下的部件，或者在最高80 °C的洗碗机中进行清洁。

清洁称量单元

- 1 断开天平与AC/DC适配器的连接。
- 2 使用沾湿温和清洗剂的无绒布清洁天平表面。
- 3 首先使用一次性纸巾清除粉末或灰尘。
- 4 使用湿的无绒软布和温和溶剂（如70%的异丙醇或乙醇）清除粘性物质。

5.2.3 清洁后投入使用

- 1 重新组装天平。
- 2 检查防风门（顶门、侧门）是否能正常打开和关闭（如适用）。
- 3 重新将天平连接至交流/直流适配器。

- 4 检查水平状态，必要时调平天平。
- 5 请遵守“技术资料”中规定的预热时间。
- 6 执行内部校正。
- 7 根据您公司的内部规程进行一次常规测试。METTLER TOLEDO建议在清洁天平后进行一次灵敏度测试。
- 8 按→0←可将天平归零。
 - ➔ 天平准备就绪。

可参阅

- 🔗 调节天平水平 ▶ 第21页
- 🔗 技术数据 ▶ 第32页
- 🔗 进行内部校正 ▶ 第23页

5.3 服务

由获授权的服务技术人员定期进行维护，以确保未来数年可靠运行。有关可用服务选项的详细信息，请联系当地METTLER TOLEDO代表。

6 技术数据

6.1 通用数据

电源

交流/直流适配器：	输入：100 – 240 V AC ± 10%，50 – 60 Hz，0.5 A 输出：12 V DC，1 A，LPS
天平功耗：	12 V DC ± 10%，0.5 A
极性：	⊖ ● ⊕

电源（可选）

交流/直流适配器：	输入：100 – 240 V AC ± 10%，50 – 60 Hz，0.8 A，61 – 80 VA 输出：12 V DC，2.5 A，LPS
交流/直流适配器用电缆：	3芯，配有国家专用插头
天平功耗：	12 V DC ± 10%，0.5 A
极性：	⊖ ● ⊕

保护与标准

过压类别：	II
污染度：	2
防护等级代码：	IP43（仅精密天平）

📄 信息

仅可在天平已做好操作准备的情况下方可达到标示的防护等级。必须安装保护罩，且必须盖住连接接口。

安全性和EMC标准：	请参阅符合性声明
应用范围：	仅用于室内干燥的地方

环境条件

当天平在以下环境条件下使用时，则适用以下这些限值：

平均海拔高度：	最高5000 m
环境温度：	+10 至 +30 °C
最大温度变化：	5 °C/h
相对湿度：	30–70%，无冷凝现象
适应环境的时间：	建议：精密天平高达 4 小时，或分析天平高达 8 小时。这些值在将天平放置在投入使用的相同位置后适用。

信息

适应环境的时间取决于天平的读数精度和环境条件。

预热时间：	精密天平至少 30分钟 ，分析天平至少 60分钟 。这些值在天平接通电源后适用。从待机模式开启后，天平随即做好操作准备。
-------	--

天平可在以下环境条件下使用。但是，天平的称量性能可能超出限值：

环境温度：	+5 °C – +40 °C
相对湿度：	气温在31 °C时，空气湿度为20%至最大80%，气温达到40 °C时，空气湿度线性下降至50%，无冷凝现象

在以下条件下，可将天平断开连接并存储在其包装中：

环境温度：	-25 – +70 °C
相对湿度：	10–90%，无冷凝现象

7 废弃处理

根据关于废弃电气和电子设备 (WEEE) 的欧洲指令 2012/19/EU，此设备不得作为生活垃圾处理。这也适用于欧盟以外的国家，参照他们的具体要求。

请在电气和电子设备指定的收集点按照当地规定处理此产品。如有任何疑问，请与相关部门或您购买的经销商联系。



8 合规性信息

国家审批文档，例如FCC供应商一致性声明，可在线获取和/或包含在包装中。

▶ www.mt.com/ComplianceSearch



有关更多信息，请查阅《参考手册 (RM)》。

▶ www.mt.com/MA-RM

目次

1	はじめに	3
1.1	ドキュメントの目的	3
1.2	追加文書と情報	3
1.3	頭字語と略語	3
2	安全上の注意	4
2.1	注意喚起と警告記号の定義	5
2.2	製品固有の安全注記	5
3	機器構成と機能	6
3.1	分析天びんの概要	6
3.2	上皿天びん (小) の概要	7
3.3	上皿天びん (大) の概要	8
3.4	上皿天びん (小) の概要	8
3.5	端子の概要	9
3.6	インターフェース接続の概要	10
3.7	コンポーネントの説明	10
3.7.1	風防	10
3.7.2	計量皿	10
3.7.3	ドリフトレー	10
3.7.4	ドアハンドル	11
3.7.5	水平調整脚	11
3.7.6	端子	11
3.7.7	ドア・フロントパネル用QuickLock	11
3.7.8	バックパネル用リリースボタン	12
3.8	ユーザーインターフェース	12
3.8.1	メインセクションの概要	12
3.8.2	メイン計量画面	13
4	設置および準備	16
4.1	設置場所の選定	16
4.2	天びんの開梱	16
4.3	設置	17
4.3.1	風防を備えた天びん	17
4.3.2	風防の無い天びん	19
4.3.3	天びん、大型	20
4.3.4	天びん (小)	20
4.4	準備	20
4.4.1	天びんの接続	20
4.4.2	天びんのスイッチを入れる	21
4.4.3	天びんの水平調整	21
4.4.3.1	天びん (大)の水平調整	21
4.4.3.2	コンパクト天びんの水平調整	22
4.4.3.3	他のすべての天びんの水平調整	23

4.4.4	内部分銅調整の実行	23
4.4.5	スタンバイモードの開始/終了	24
4.4.6	省電力モードの開始/終了	24
4.4.7	天びんの電源を切る	24
4.5	単純計量の実施	24
4.5.1	風防ドアの開閉	24
4.5.2	天びんのゼロ点設定	25
4.5.3	天びんの風袋引き	25
4.5.4	計量の実行	25
4.6	電池の使用（コンパクト天びん）	25
4.6.1	乾電池の挿入または交換	26
4.7	運搬、梱包、保管	26
4.7.1	近距離での天びんの運搬	26
4.7.2	天びんの長距離の運搬	27
4.7.3	梱包および保管	27
5	メンテナンス	27
5.1	メンテナンス作業	27
5.2	洗浄	28
5.2.1	清掃のために分解	28
5.2.1.1	風防を備えた天びん	28
5.2.1.2	風防の無い天びん	30
5.2.1.3	天びん、大型	31
5.2.1.4	天びん（小）	31
5.2.2	天びんの清掃	32
5.2.3	清掃後における機器の準備	32
5.3	サービス	33
6	技術仕様	33
6.1	一般仕様	33
7	廃棄	34
8	コンプライアンス情報	34

1 はじめに

METTLER TOLEDOの天びんをお選びいただきありがとうございます。天びんは、高性能および使いやすいさを兼ね備えています。

EULA

本製品のソフトウェアは、METTLER TOLEDOソフトウェア用のエンドユーザーライセンス契約（EULA）に基づきライセンス許諾されています。

本製品を使用する場合は、EULAの条件に同意する必要があります。

▶ www.mt.com/EULA

1.1 ドキュメントの目的

このユーザーマニュアルでは、機器を使用する際の最初の手順について簡単に説明します。これにより、安全で効率的な取り扱いが可能になります。操作者は、機器を使用して作業を実施する前に本説明書を注意深く読んで理解する必要があります。

1.2 追加文書と情報

この文書はオンラインで他の言語で利用可能です。



▶ www.mt.com/MA-UM

製品ページ：

▶ www.mt.com/MA-balances

天びんを清掃する手順、「8 Steps to a Clean Balance」：

▶ www.mt.com/lab-cleaning-guide

ソフトウェアの検索：

▶ www.mt.com/labweighing-software-download

ドキュメントの検索：

▶ www.mt.com/library

詳細については、METTLER TOLEDO 代理店またはサービス担当者にお問い合わせください。

▶ www.mt.com/contact

1.3 頭字語と略語

元の用語	翻訳された用語	説明
AC		Alternating Current (交流)
ASTM		American Society for Testing and Materials (米国材料試験協会)
DC		Direct Current (直流)

EMC	Electromagnetic Compatibility (電磁両立性)
FCC	Federal Communications Commission (連邦通信委員会)
GWP	Good Weighing Practice
HID	Human Interaction Device (ヒューマンインターフェイスデバイス)
ID	Identification (識別)
IP	Ingress Protection
LAN	Local Area Network (ローカルエリアネットワーク)
LED	Light-Emitting Diode (発光ダイオード)
LPS	Limited Power Source (有限電源)
MAC	Media Access Control (メディアアクセス制御)
MT-SICS	METTLER TOLEDO Standard Interface Command Set
NA	Not Applicable
OIML	Organisation Internationale de Métrologie Légale (国際法定計量機関)
RAM	Random Access Memory (ランダムアクセスメモリ)
RM	Reference Manual (リファレンスマニュアル)
SOP	Standard Operating Procedure (標準作業手順)
UM	User Manual (ユーザマニュアル)
USB	Universal Serial Bus
USP	United States Pharmacopeia (米国薬局方)

2 安全上の注意

本機器には「ユーザーマニュアル」と「リファレンスマニュアル」の二つの文書が用意されています。

- さまざまな言語で用意されたユーザーマニュアルは、オンラインで入手できます。
- 本機器には、印刷版のユーザーマニュアルが付属します。

- ・ リファレンスマニュアルはオンラインで入手可能です。マニュアルには、本機器の説明と使用方法が詳細に記載されています。
- ・ いつでも参照できるように両方のマニュアルを保管してください。
- ・ 本機器を第三者に譲渡する場合は、両方のマニュアルも含めてください。

本機器の使用にあたっては、必ずユーザーマニュアルとリファレンスマニュアルに従ってください。これらのマニュアルに従わずに使用した場合や、機器を改造した場合は、機器の安全性が損なわれる可能性があります。Mettler-Toledo GmbH は一切の責任を負いません。

2.1 注意喚起と警告記号の定義

安全上の注意には、安全の問題に関する重要な情報が含まれています。安全上の注意を疎かにすると、機器の損傷、故障および誤りのある測定結果や怪我の要因となります。安全上の注意には、次の注意喚起（注意を促す語）および警告記号を付けています。

注意喚起の表示

危険	回避しないと、死亡事故または重度の事故や重傷を招く恐れや、高い危険性を伴う状況に対して発せられます。
警告	死亡事故または重度の事故や重傷を招く恐れがある、中程度の危険状態に対する注意喚起。
注意	軽中度の負傷を招く恐れがある、軽度の危険状態に対する注意喚起。
注記	測定装置もしくは他の器物の損傷、エラーや故障、データ喪失を招く恐れがある、軽度の危険状態に対する注意喚起。

警告記号



一般的な危険性



通知

2.2 製品固有の安全注記

用途

この機器は、熟練したスタッフが使用するように設計されています。装置は計量を目的としています。

Mettler-Toledo GmbH の同意なしにMettler-Toledo GmbH が指定した使用限界を超えた使用および操作はすべて、用途外とみなされます。

機器所有者の責任

機器の所有者とは、機器の法的所有権を有し、また機器を使用やその他の人が使用することの管理を行う、または法的に機器のオペレーターになるとみなされる人のことです。機器の所有者は、機器の全ユーザーおよび第三者の安全に責任があります。

Mettler-Toledo GmbH は、機器の所有者がユーザーに対して、仕事場で機器を安全に使用し、潜在的な危険に対応するための研修を行うことを想定しています。Mettler-Toledo GmbHは、機器の所有者が必要な保護用具を提供することを想定しています。

安全に関する注意事項



警告

感電による死亡事故または重傷

通電部品に触れると負傷や死亡事故を招く恐れがあります。

- 1 機器にあわせて設計されている、METTLER TOLEDO電源ケーブルやAC/DCアダプタのみをご使用ください。
- 2 電源ケーブルをアース付き電源コンセントに接続します。
- 3 電気ケーブルと接続部材はすべて、液体や湿気から離れた場所に保管してください。
- 4 ケーブルと電源プラグに損傷がないことを確認し、損傷があれば交換してください。



注記

部品を正しく使用しないと機器の損傷や故障を招く恐れがある

- お使いの機器専用のMETTLER TOLEDOからの部品のみを使用してください。

スペアパーツおよび付属品のリストは参照マニュアルに記載されています。

3 機器構成と機能

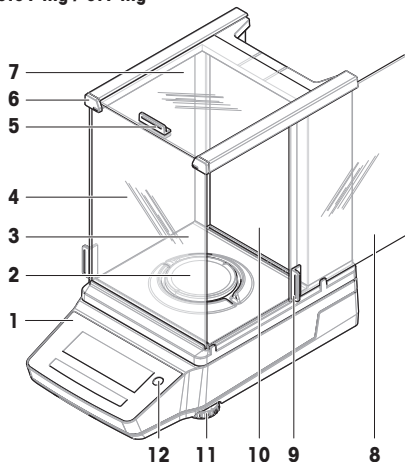


詳細については、リファレンスマニュアル (RM) を参照してください。

▶ www.mt.com/MA-RM

3.1 分析天びんの概要

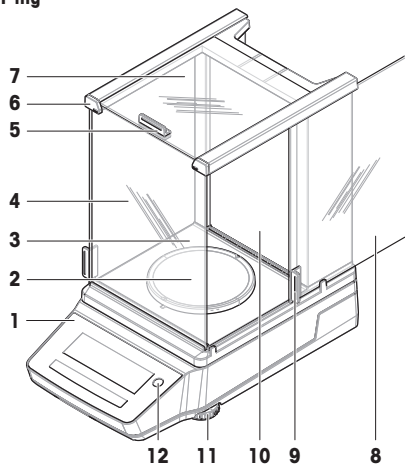
0.01 mg / 0.1 mg



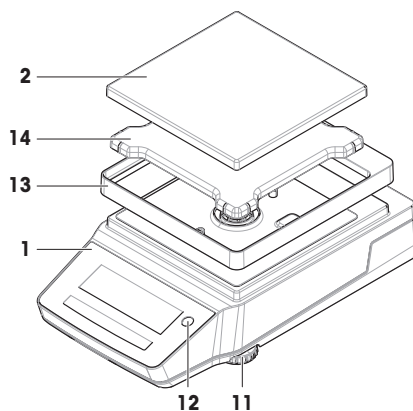
1	端子	7	上部ドア、風防
2	計量皿	8)	サイドドア、風防(右/左)
3	ドリフトトレイ	9	ハンドル、サイドドア
4	フロントパネル、風防	10	バックパネル、風防
5	ハンドル、上部ドア	11	水平調整脚
6	QuickLock、前面パネル	12	水準器

3.2 上皿天びん (小) の概要

1 mg



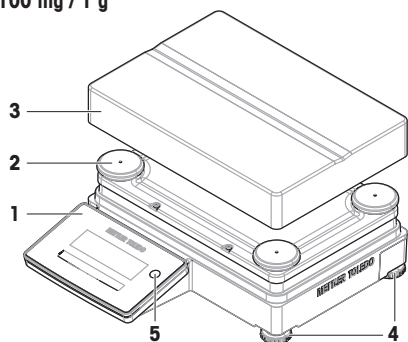
10 mg / 100 mg



1	端子	8)	サイドドア、風防(右/左)
2	計量皿	9	ハンドル、サイドドア
3	ドリフトトレイ	10	バックパネル、風防
4	フロントパネル、風防	11	水平調整脚
5	ハンドル、上部ドア	12	水準器
6	QuickLock、前面パネル	13	ドラフト保護エレメント
7	上部ドア、風防	14	計量皿サポート

3.3 上皿天びん (大) の概要

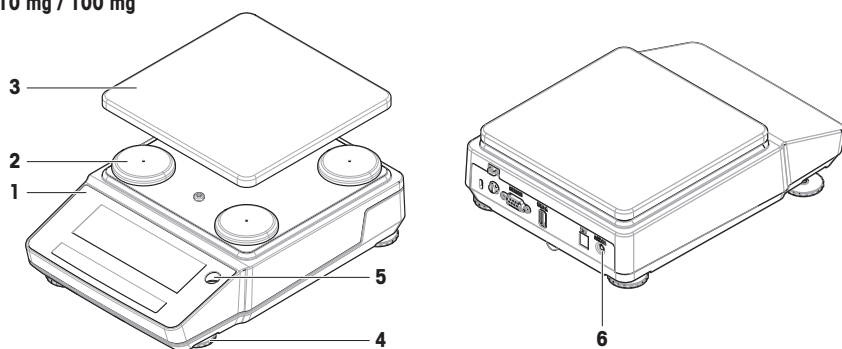
100 mg / 1 g



1	端子	4	水平調整脚
2	計量皿サポートキャップ	5	水準器
3	計量皿		

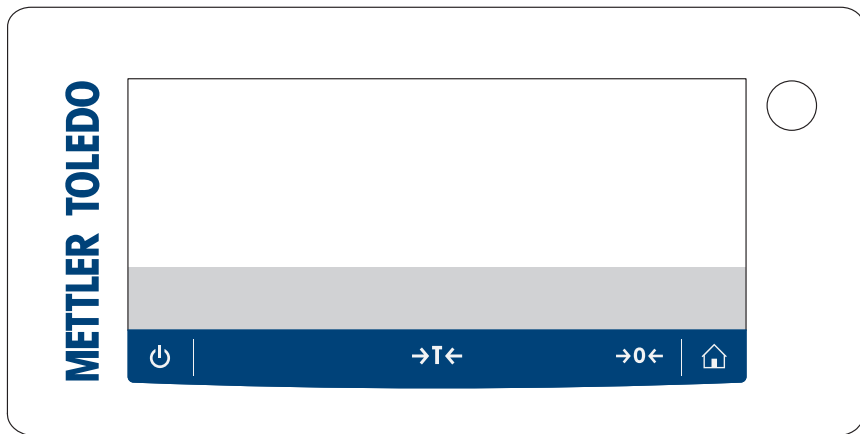
3.4 上皿天びん (小) の概要



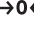

10 mg / 100 mg



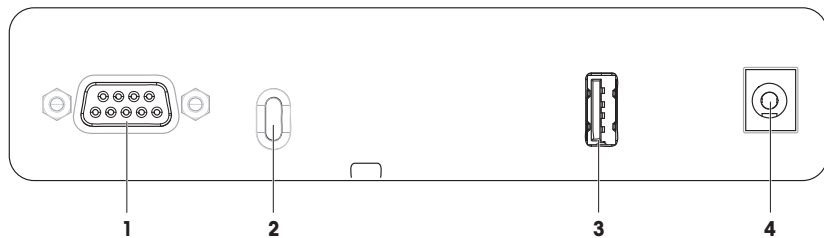
1	端子	4	水平調整脚
2	計量皿サポートキャップ	5	水準器
3	計量皿	6	ウエイクアップ・スイッチ (バッテリー・モード)

3.5 端子の概要



	名前	製品名
	スタンバイ	<p>⏻をタップすると、天びんの電源は完全にオフにならず、スタンバイモードになります。天びんの電源を完全にオフにするには、電源から切り離す必要があります。</p> <p>注 長期間天びんを使用しない場合を除き、天びんを電源から切り離さないでください。装置の電源を入れた後、正確な結果を出す前にウォームアップする必要があります。</p> <p>注 バッテリーモードの天びん(小)のみ： ⏻をタップすると、天びんの電源は完全に切れます。スタンバイモードがありません。</p>
	風袋引き	<p>天びんの風袋引きを行います。</p> <p>この機能は、計量プロセスに容器を用いる場合に使用します。天びんの風袋引きが終了すると、スクリーンに、表示重量がすべて正味重量であることを示す_{Net}が表示されます。</p>
	ゼロ点設定	<p>天びんのゼロ点を設定します。</p> <p>計量プロセスを開始する前に、天びんを必ずゼロに設定します。天びんは新しいゼロ点を設定します。</p>
	ホーム	<p>設定メニューレベルから、現在設定されているアプリケーションあるいは最後に使用したアプリケーションのメイン計量画面に戻ります。</p>

3.6 インターフェース接続の概要

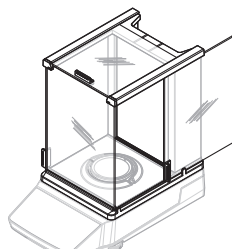


1	RS232Cシリアルインターフェース	3	USB-Aポート
2	盗難防止ケーブル用スロット	4	AC/DCアダプタ用ソケット

3.7 コンポーネントの説明

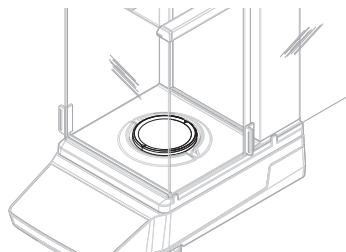
3.7.1 風防

風防は、風や水蒸気などの小さな環境的影響から計量エリアを保護します。サイドドアと上部ドアは、手動で開くことができます。



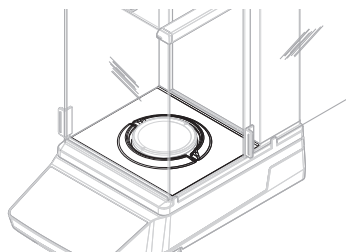
3.7.2 計量皿

計量皿は、荷重伝達装置で計量アイテムをのせるために提供されます。



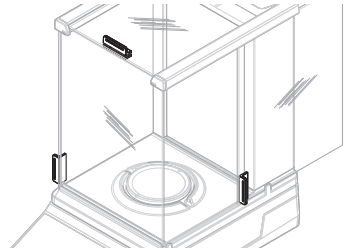
3.7.3 ドリフトレー

ドリフトレーは、計量皿の下に配置されています。ドリフトレイの主な目的は、天びんの迅速なクリーニングを保証することです。



3.7.4 ドアハンドル

ドアハンドルは風防ドアに取り付けられています。ハンドルは、風防のサイドドアと上部ドアを手動で開くために使用します。

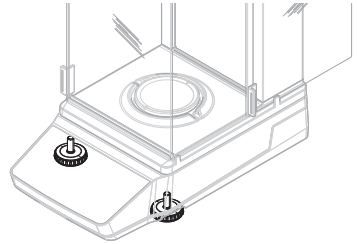


3.7.5 水平調整脚

天びんは、高さが調節可能な脚部の上に設置されます。これらの脚部は、天びんを水平にするために使用します。

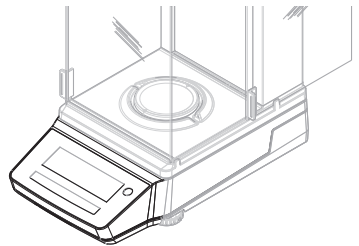
注

大型の天びんとコンパクトな天びんには4つの水平調整脚があります。



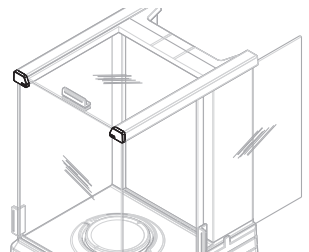
3.7.6 端子

指示計は天びんに内蔵され、液晶ディスプレイを装備しています。ターミナルと計量プラットフォームは交換可能なカバーで保護されています。



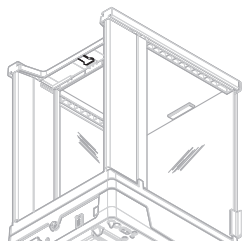
3.7.7 ドア・フロントパネル用QuickLock

位置に応じて、QuickLockは上部ドア、側面ドア、風防のフロントパネルをロック/ロック解除するために使用します。



3.7.8 バックパネル用リリースボタン

ロック解除ボタンは、風防の背面パネルをロック/ロック解除するために使用します。



3.8 ユーザーインターフェース




3.8.1 メインセクションの概要

メイン計量画面 (1) に計量結果が表示され、天びんのステータスに関するフィードバックが表示されます。操作キー (2)は、すべてのメニューと設定にアクセスして選択できるメインのナビゲーション要素です。



	名前	製品名
1	メイン計量画面	計量結果を表示し、天びんのステータスに関する情報を提供します。
2	操作キー	天びんのメニューや機能にアクセスします。

操作キー

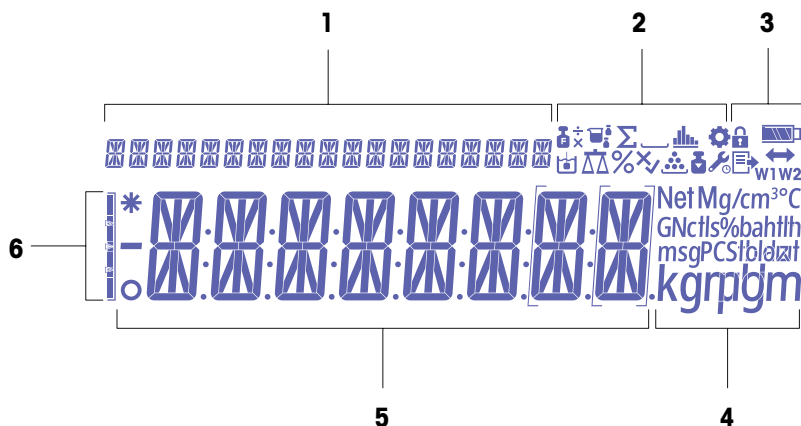
	名前	製品名
	設定	設定メニューにアクセスします。
	アプリケーション	アプリケーションメニューにアクセスします。
	前へ / 上へ / 増加	<ul style="list-style-type: none">トピックのリストを上にもスクロールします。単位 1、単位 2、アプリケーション単位 (利用可能な場合) の変更。数を増やします。アプリケーション内で捕捉された重量を追加します。

	名前	製品名
↓	次へ / 下へ / 減少	<ul style="list-style-type: none"> トピックのリストを下にスクロールします。 単位 1、単位 2、アプリケーション単位（利用可能な場合）の変更。 数を減らします。
✕	キャンセル	タスクをキャンセルするか、保存せずにメニューを終了します。
✓	受け入れ済み	<ul style="list-style-type: none"> 選択したメニューにアクセスします。 選択したアプリケーションを起動します。 入力内容を確定します。
🔧	調整	事前定義された調整測定手順を実行します。
🖨️	印刷 / 転送	<ul style="list-style-type: none"> 計量結果を印刷します アクティブユーザメニューの設定を印刷します。 事前定義されたターゲット位置にデータを転送します。

以下も参照してください

🔗 メイン計量画面 ▶ 13 ページ










3.8.2 メイン計量画面








1	コーチングテキスト	4	ユニットアイコン
2	アプリケーションアイコン	5	計量値 / メニューラベル / パラメータラベル / パラメータ値
3	ステータスアイコン	6	計量補助



アプリケーションアイコン

	名前	製品名
🔧 ÷	アプリケーション "分割係数計量"	<p>アプリケーション "分割係数計量" は、事前定義された係数を重量値（グラム）で割ります。結果 = 係数 / 重量</p> <p>結果は、既定の小数点以下の桁数に四捨五入されます。</p>


	名前	製品名
	アプリケーション "乗算係数計量"	アプリケーション "乗算係数計量" は、重量値 (g) に規定の係数を掛けます。結果 = 係数 × 重量 結果は、既定の小数点以下の桁数に四捨五入されます。
	アプリケーション "調合"	アプリケーション "調合" (正味合計) にはいくつかの目的があります。 <ul style="list-style-type: none"> 999 個までの個別の構成物の計量ができ、合計重量を表示します。プリンタに接続している場合は、各構成物の重量と合計重量を印字します。 999 個までの風袋の計量と保存が行え、合計重量を表示します。プリンタに接続している場合は、個別の風袋重量と合計重量を印字します。 構成物をさらに追加して、全構成物の正味重量の合計を充填します。
	アプリケーション "合計"	アプリケーション "合計" は、計量するサンプルの合計を表示します。サンプルの個数は、1 から999個まで選択できます。
	アプリケーション "統計"	"統計"モードでは、一連の計量値から統計値を得ることができます。サンプルの個数は1 個から999 個まで選択できます。
	アプリケーション "動物計量"	アプリケーション "動物計量" を使用すると、不安定なサンプルの重量を測定したり、不安定な周囲条件下で重量を測定したりすることができます。天びんは定義した時間の計量値の平均値として重量を算出します。
	アプリケーション 密度	アプリケーション 密度 アプリケーションを使用して、固体と液体の密度を測定できます。密度測定は、流体の中にある物体には物体が押しつけた部分の流体の重さに等しい浮力が働くという"アルキメデスの原理"を利用して行われます。
	アプリケーション 計量	アプリケーション 計量 は、簡単な計量タスクや一連の測定に使用します。
	アプリケーション チェック計量	アプリケーション チェック計量 チェック計量では、基準重量と比較してサンプル重量が許容誤差内に入っているかを確認できます。
	アプリケーション カウント	アプリケーション カウント アプリケーションでは、計量皿の上のせられたサンプルの個数を数数できます。

ステータスアイコン

	名前	製品名
	メニュー設定の有効化	メニュー設定が有効になり、適応可能になります。
	メニュー設定ロック済み	メニュー設定はロック済みで、変更できません。
	内部分銅調整が開始されました	天びんの内部分銅調整が開始されました。
	サービスリマインダ	次のサービスの期限が迫っています。
	パブリッシング	データが公開されています。

	名前	製品名
	バッテリー充電ステータス	コンパクト天びんのみ： バッテリー充電レベルを表示します。 <ul style="list-style-type: none"> ●■■■：バッテリー満充電 ●■■：バッテリー 3/4 満充電 ●■：バッテリー 1/2 満充電 ●□：バッテリー 1/4 満充電 ●□□：バッテリーが放電されています
	接続	他のデバイスへのデータ接続。
W1	計量範囲 1	計量範囲 1 はアクティブです。
W2	計量範囲 2	計量範囲 2 はアクティブです。
Net	正味重量値（目安）	"Net"は表示されている重量がすべて正味重量であることを示します。
G	総重量（目安）	総重量値が表示されます。
M	保存値の表示（メモリ）	天秤のメモリに保存されている値が表示されます。

ラベルアイコン

	名前	製品名
*	計算済みの値	表示値が計算されていることを示します。
○	不安定値	表示値が不安定であることを示します。これは、時間が経過するにつれて変化することを意味します。
	未認証の桁	カッコは未認証の桁を示しています（承認された天びん機種のみ）。

4 設置および準備

4.1 設置場所の選定

天びんは高感度の精密機器です。天びんが設置される場所によって、計量結果の精度に多大な影響を及ぼします。

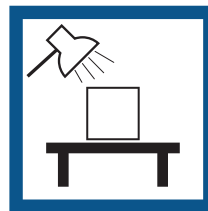
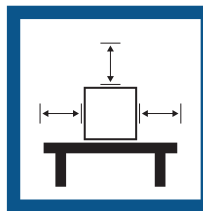
据付場所の要件

室内の安定したテーブルに配置

十分な間隔を確保

機器を水平に調整

適切な明るさを確保

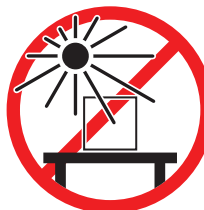


直射日光が当たらない

振動しない

強風に晒されない

温度変化が少ない



環境条件を考慮します。"技術データ"を参照してください。

天秤の十分な間隔：全方向に装置の周り > 15 cm

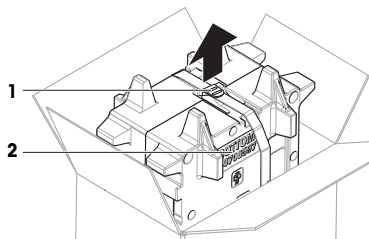
4.2 天びんの開梱

パッケージを確認して、抜けているものがないか、また損傷している部品がないか確認します。万が一部品が損傷している場合は、METTLER TOLEDO 代理店にお問い合わせください。

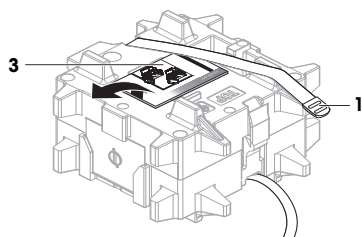
注

天びんのモデルによって、梱包材と部品の見た目が異なることがあります。

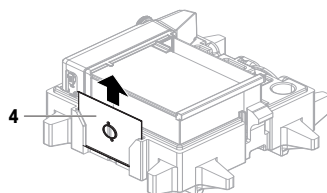
- 1 箱を開き、持ち上げストラップ(1)を使ってパッケージを取り出します。
- 2 銘板BOTTOM (2) が下を向くように梱包ケースを平らな面に置きます。



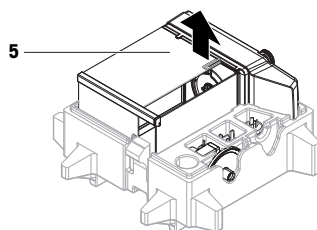
- 3 持ち上げストラップ (1) を開いて、ユーザマニュアル (3) を取り外します。



- 4 梱包ケースの上部を取り外し、ドリフトレー (4) を慎重に開梱します。



- 5 天びん (5) と他のすべての品目を慎重に開梱します。
- 6 保護バッグを取り外します。
- 7 計量プラットフォームとターミナルの保護カバーは取り付けたままにします。
- 8 梱包されているすべての部品を、今後のために安全な場所に保管してください。
- ➡ これで天びんを設置する準備が整いました。



4.3 設置

注

天びんのモデルによって、見た目が異なることがあります。

4.3.1 風防を備えた天びん



注意

鋭い物体や破損したガラスによる負傷

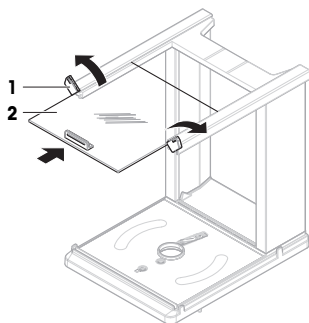
ガラスなどの機器コンポーネントが破損して負傷することがあります。

- いつも慎重に集中して行ってください。

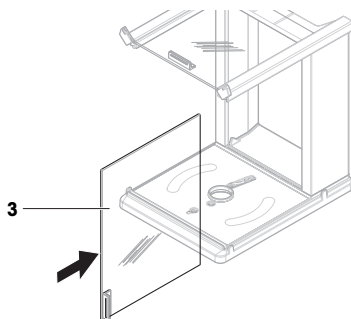
注

初めて天びんを開梱するとき、または風防がすでに組み立てられて計量台に取り付けられている場合は、手順1～5を省略してください。

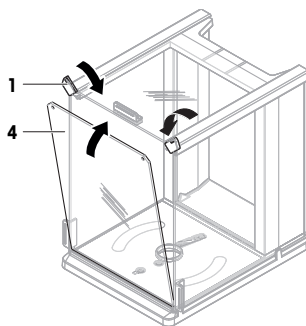
- 1 風防を組み立てます。クイックロック（1、右、左）を回し、上部ドア（2）をスライドさせます。



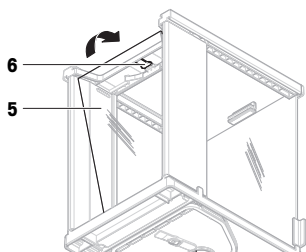
- 2 側面ドア（3）（右、左）にスライドさせます。



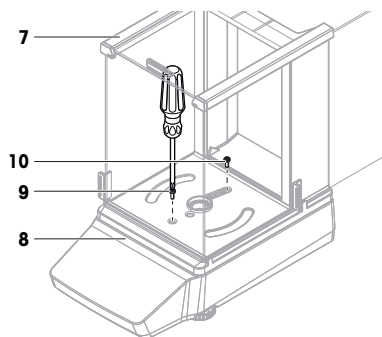
- 3 フロントパネル（4）を取り付け、次にクイックロック（1、右、左）を回してパネルを所定の位置に保持します。



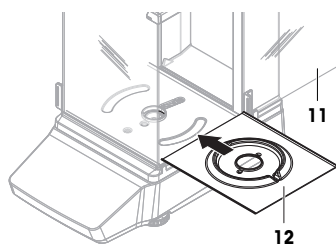
- 4 背面パネル（5）を取り付けます。ロック解除ボタン（6）がカチッとはまることを確認します。



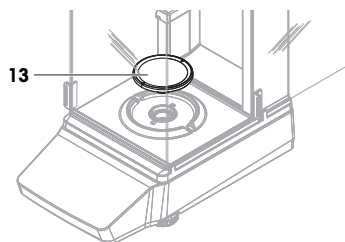
- 5 風防(7)を計量プラットフォーム(8)に固定するには、前ネジ(9)と後ネジ(10)をプラスドライバーで固定します。



- 6 サイドドア(11)を完全に開きます。
- 7 ドリフトレイ(12)を挿入します。



- 8 計量皿を取り付けます。(13)
 - ➡ 天びんは使用するための準備が整っています。



4.3.2 風防の無い天びん

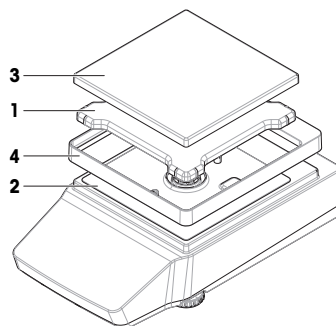
- 1 計量プラットフォーム(2)の上に、計量皿サポート(1)を置きます。

注

天びんを保護するために、保護カバーは計量プラットフォーム(2)に取り付けたままにします。

- 2 計量皿(3)を、計量皿サポート(1)の上に置きます。
- 3 風防保護材(4)を計量プラットフォーム(2)の上に置きます。

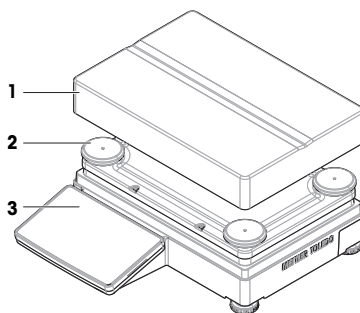
➡ 天びんは使用するための準備が整っています。



4.3.3 天びん、大型

- 計量皿(1)をサポートキャップ(2)の上に置きます。
- ☐ 注
天びんを保護するには、保護カバーを端子 (3) に取り付けたままにします。

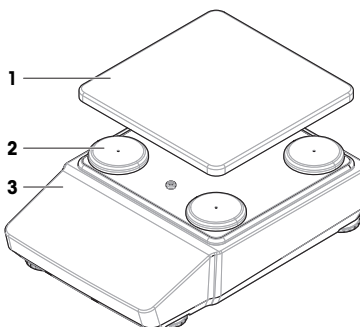
➔ 天びんは使用するための準備が整っています。



4.3.4 天びん (小)

- 計量皿(1)をサポートキャップ(2)の上に置きます。
- ☐ 注
天びんを保護するために、保護カバーは計量プラットフォーム (3) に取り付けたままにします。

➔ 天びんは使用するための準備が整っています。



4.4 準備

4.4.1 天びんの接続



⚠ 警告

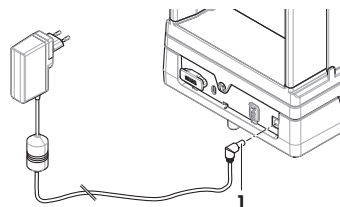
感電による死亡事故または重傷

通電部品に触れると負傷や死亡事故を招く恐れがあります。

- 1 機器にあわせて設計されている、METTLER TOLEDO電源ケーブルやAC/DCアダプタのみをご使用ください。
- 2 電源ケーブルをアース付き電源コンセントに接続します。
- 3 電気ケーブルと接続部材はすべて、液体や湿気から離れた場所に保管してください。
- 4 ケーブルと電源プラグに損傷がないことを確認し、損傷があれば交換してください。

- 1 ケーブルは、破損しないように、また作業の妨げにならないように設置します。

- 2 AC/DCアダプターのプラグ (1) を装置の電源コンセントに差し込みます。
- 3 電源ケーブルのプラグを、手の届きやすい場所にある接地付き電源コンセントに挿入します。
 - ⇒ 天びんは自動的にオンになります。



① 注

装置をスイッチで制御されたコンセントに繋がないでください。装置の電源を入れた後、正確な結果を出す前にウォームアップする必要があります。

以下も参照してください

⌘ 一般仕様 ▶ 33 ページ

4.4.2 天びんのスイッチを入れる

電源に接続すると、天びんは自動的にオンになります。

順応とウォームアップ

天びんが正確な測定を行うためには、以下が必要です。

- 室温に順応させる。
- 電源に接続してウォームアップする。

天びんの順応時間とウォーミングアップ時間については、「一般データ」で確認できます。

① 注

天びんがスタンバイモードを終了すると、すぐに使用できます。

以下も参照してください

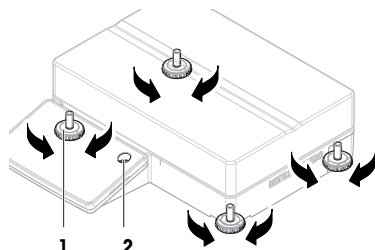
- ⌘ 一般仕様 ▶ 33 ページ
- ⌘ スタンバイモードの開始/終了 ▶ 24 ページ
- ⌘ 省電力モードの開始/終了 ▶ 24 ページ
- ⌘ 天びんの電源を切る ▶ 24 ページ

4.4.3 天びんの水平調整

確実に水平に安定して取り付けることは、繰り返し性と正確性を備えた測定結果を得る上での欠かせない条件です。

4.4.3.1 天びん (大)の水平調整

- 1 すべての水平調整脚を完全にねじ込みます。
- 2 後左の水平調整脚を除くすべての水平調整脚を2、3回転緩めます。
- 3 調整脚を (1) 気泡が水準器 (2) の中心に来るまで回転させます。以下の例に示すように進めてください。
- 4 後左の水平調整脚を、テーブル表面に接触するまでねじって外します。



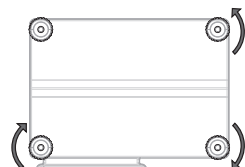
➔ 天びんは水平調整されており、4つの水平調整脚すべてで支えられています。

例

12時の位置の気泡：
気泡の位置



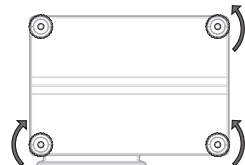
両方の前脚を時計回りに回します。
右後脚を反時計回りに回します。



3時の位置の気泡：
気泡の位置



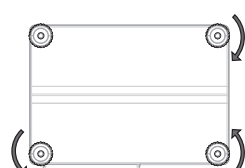
左前脚を時計回り、右前脚を反時計回りに回します。
右後脚を反時計回りに回します。



6時の位置の気泡：



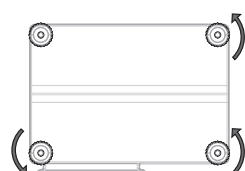
両方の前脚を反時計回りに回します。
右後脚を時計回りに回します。



9時の位置の気泡：
気泡の位置

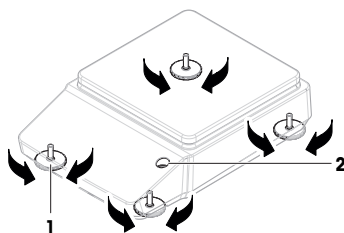


両方の前脚を反時計回りに回します。
右後脚を反時計回りに回します。



4.4.3.2 コンパクト天びんの水平調整

- 1 水平調整の両方の後脚を完全にねじ込みます。
- 2 水平調整の前脚を両方とも2、3回転緩めます。
- 3 水平調整の前脚(1)を水準器(2)の中心に気泡が来るように回転させます。以下の例に示すように進めてください。
- 4 水平調整後脚を両方ともテーブル表面に接触するまで緩めます。
 - ➔ 天びんは水平調整されており、4つの水平調整脚すべてで支えられています。



例

12時の位置の気泡：



両脚を時計回りに回してください。



3時の位置の気泡：



左脚を時計回りに、右脚を反時計回りに回してください。



6時の位置の気泡：



2つの脚を反時計回りに回してください。



9時の位置の気泡：

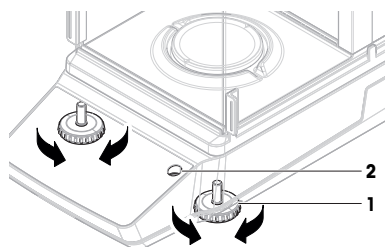


左脚を時計回りに、右脚を反時計回りに回してください。



4.4.3.3 他のすべての天びんの水平調整

- 調整脚を (1) 気泡が水準器 (2) の中心に来るまで回転させます。



例

12時の位置の気泡：



両脚を時計回りに回してください。



3時の位置の気泡：



左脚を時計回りに、右脚を反時計回りに回してください。



6時の位置の気泡：



2つの脚を反時計回りに回してください。




9時の位置の気泡：



左脚を時計回りに、右脚を反時計回りに回してください。



4.4.4 内部分銅調整の実行

- メイン計量画面で、 をタップします。
 - ➔ ADJ.INTが表示されます。
- ✓を押します。
 - ➔ 調整が実施されました。
 - ➔ 調整結果が表示されます。
- ✓を押します。
 - ➔ 天びんの準備ができています。

4.4.5 スタンバイモードの開始/終了

- 1 スタンバイモードに入るには、**⏻**を2秒未満押します。
 - ▶ ディスプレイの明るさが低下し、ディスプレイ上に情報が表示されます。天びんの電源はオンのままです。
- 2 スタンバイモードを終了するには、**⏻**を押します。
または、計量皿をタップするか、分銅を計量皿に載せます。
 - ▶ 表示がオンになります。

4.4.6 省電力モードの開始 / 終了

注

バッテリーモードのコンパクト天びんにのみ関連。

- 1 省エネモードに入るには、**⏻**を2秒未満押します。
 - ▶ 表示がオフになります。天びんは省電力モードになっています。
- 2 省電力モードを終了するには、天びん背面のウェークアップスイッチを押します。
 - ▶ 表示がオンになります。

4.4.7 天びんの電源を切る

天びんを完全に切るには、電源から切り離す必要があります。**⏻**を押すと、天びんはスタンバイモードに移行します。

注

天びんの電源を完全にオフにしてから、しばらく期間が経過したときは、使用できるようになる前にウォームアップをする必要があります。

以下も参照してください

- ⌘ 天びんのスイッチを入れる ▶21 ページ
- ⌘ スタンバイモードの開始/終了 ▶24 ページ
- ⌘ 省電力モードの開始 / 終了 ▶24 ページ

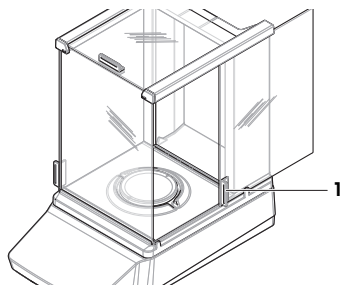
4.5 単純計量の実施

注

測定手順を説明するため、風防を装備した天びんを使用しています。風防を装備していない天びんの場合、風防に関する手順は省略してください。

4.5.1 風防ドアの開閉

- ドアハンドル (1) を使用して、ドアを手動で開けます。



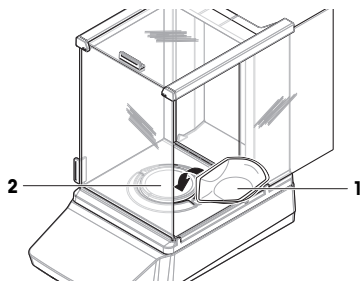
4.5.2 天びんのゼロ点設定

- 1 風防を開きます。
- 2 計量皿を空にします。
- 3 風防を閉じます。
- 4 →0←を押して天びんをゼロ点に戻します。
⇒ 天びんがゼロ点に設定されます。

4.5.3 天びんの風袋引き

サンプル容器が使用される場合は、天びんを風袋引きする必要があります。

- 天びんがゼロ点に設定されます。
- 1 サンプル容器 (1) を計量皿 (2) に載せます。
 - 2 →T←を押すと天びんの風袋引きが実施されます。
⇒ 天びんが風袋引きされます。アイコンNetが表示されます。



4.5.4 計量の実行

- 1 風防を開きます。
- 2 サンプル容器に被計量物をのせます。
- 3 風防を閉じます。
- 4 不安定を示す表示○が消えるまで待ちます。
⇒ 結果が表示されます。
- 5 オプション（プリンタが接続されている場合）：■を押して計量結果を印刷します。

4.6 電池の使用（コンパクト天びん）

天びんは乾電池でも動作します。通常的环境下では、8時間から15時間の動作が可能です(アルカリ電池使用の場合)。

AC電源が遮断されると、天びんは自動的に電池駆動に切り替わります。これは例えば、電源プラグを抜いたり、停電が発生した場合に起こります。AC電源が復旧すると、天びんは自動的にAC動作に戻ります。

天びんには標準的な単三電池（LR6）を8本使用します。アルカリ性電池が好ましい。

充電式電池も使用できます。ただし、天びん内部での充電は**できません**。

天びんが電池で動作しているときは、ディスプレイの電池マークが点灯します。バッテリーの記号に表示されているセグメントの数は、充電レベルを示しています。充電がほとんどなくなると、バッテリーの記号が点滅します。

以下も参照してください

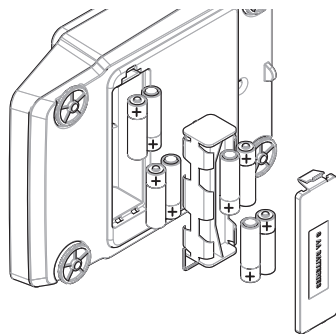
🔗 メイン計量画面 ▶ 13 ページ

4.6.1 乾電池の挿入または交換

- 乾電池取り扱いメーカーの警告や注意に従って乾電池を取り扱ってください。
- 製造メーカーによって乾電池のパフォーマンスが異なるため、異なる種類あるいはブランドの乾電池を混用しないでください。
- 天びんを長期間使用しない場合は、乾電池を天びんから取り外してください。
- 乾電池の廃棄は、自治体の規則に従って行ってください。

以下の手順に従います。

- 天びんの電源が切れます。
 - 計量皿を外します。
- 1 慎重に天びんを横に倒します。
 - 2 乾電池カバーを取り外します。
 - 3 乾電池の+/-に気をつけて乾電池を挿入、入れ替えます。
 - 4 乾電池カバーを取り付けます。
 - 5 天びんを元の状態に戻します。
 - 6 すべてのパーツを元の状態に取り付けます。



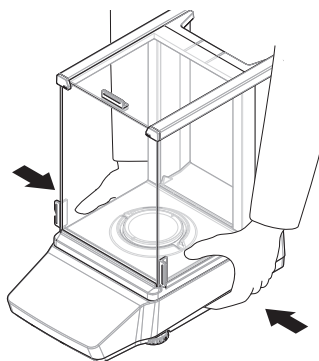
4.7 運搬、梱包、保管

4.7.1 近距離での天びんの運搬

- 1 AC/DCアダプターを外し、インターフェースケーブルをすべて抜きます。
- 2 天びんを両手で持ち、目的の位置まで水平に運びます。使用場所の要件を考慮してください。

天びんを使用できる状態にするには、次の手順を実行します：

- 1 逆の順序で接続します。
- 2 天びんがウォームアップするまで十分な時間待ちます。
- 3 天びんの水平調整を行います。
- 4 内部分銅調整を実施します。



以下も参照してください

- ◇ 設置場所の選定 ▶ 16 ページ
- ◇ 天びんのスイッチを入れる ▶ 21 ページ
- ◇ 天びんの水平調整 ▶ 21 ページ
- ◇ 内部分銅調整の実行 ▶ 23 ページ

4.7.2 天びんの長距離の運搬

METTLER TOLEDO 天びんや天びんの構成部品の長距離輸送または発送の際には、オリジナルの梱包材を使用することを推奨します。オリジナルの梱包材は、天びんとその構成部品に合わせて特別に開発されたものであり、輸送中に最善の保護を提供します。

以下も参照してください

🔗 天びんの開梱 ▶ 16 ページ

4.7.3 梱包および保管

天びんの梱包

全部の梱包材を安全な場所に保管してください。オリジナルの梱包材は、天びんとその構成部品に合わせて特別に開発されたものであり、輸送または保管に最善の保護を提供します。

天びんの保管

天びんは、必ず以下の条件下で保管してください：

- 室内で純正の梱包箱を使用
- 環境条件を遵守。「技術データ」をご参照ください。

① 注

保管期間が6か月を超えるとときは、充電式バッテリーの充電が必要になっている可能性があります（日付、時刻のみリセットされます）。

以下も参照してください

🔗 技術仕様 ▶ 33 ページ

5 メンテナンス

天びんの機能と計量結果の正確さを保証するには、ユーザーがメンテナンスを実行する必要があります。



詳細については、リファレンスマニュアル（RM）を参照してください。

▶ www.mt.com/MA-RM

5.1 メンテナンス作業

メンテナンスアクション	推奨される間隔	備考
内部分銅調整の実行	<ul style="list-style-type: none"> • 毎日 • クリーニング後 • 水平調整後 • 場所の変更後 	"内部分銅による調整の実行"を参照してください
日常点検の実施（偏置誤差テスト、繰り返し性テスト、感度テスト） METTLER TOLEDO 少なくとも感度テストの実施を推奨します。	<ul style="list-style-type: none"> • クリーニング後 • 天びんの組立て後 • ソフトウェアアップデート後 • 社内規定（SOP）に従って行う 	参照マニュアルの"テスト"を参照してください

メンテナンスアクション	推奨される間隔	備考
清掃	<ul style="list-style-type: none"> 毎回の使用後 汚染等級によります 社内規定 (SOP) に従って行う 	"クリーニング"を参照
ソフトウェアのアップデート	<ul style="list-style-type: none"> 社内規定 (SOP) に従って行う。 新しいソフトウェアのリリース後。 	参照マニュアルの"ソフトウェア更新"を参照してください

以下も参照してください

🔗 内部分銅調整の実行 ▶ 23 ページ

🔗 洗浄 ▶ 28 ページ

5.2 洗浄

5.2.1 清掃のために分解

📌 注

天びんのモデルによって、見た目が異なることがあります。

📌 注

ほとんどの場合、天びんを洗浄する際に保護カバーを取り外す必要はありません。

5.2.1.1 風防を備えた天びん



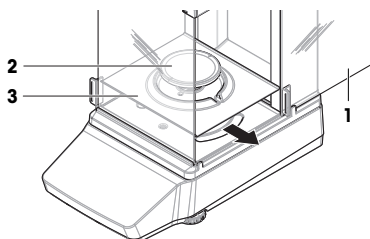
⚠️ 注意

鋭い物体や破損したガラスによる負傷

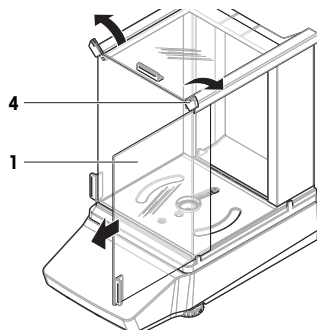
ガラスなどの機器コンポーネントが破損して負傷することがあります。

– いつも慎重に集中して行ってください。

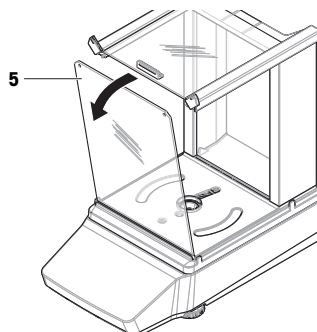
- 1 サイドドア (1) を完全に開きます。
- 2 計量皿 (2) とドリフトレー (3) を取り外します。



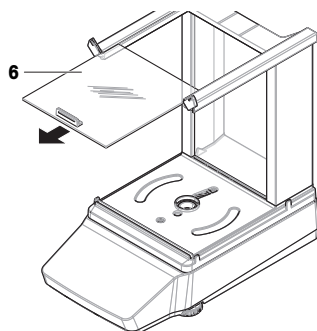
- 3 クイックロック(4)を回し、サイドドア(1)を手前に引いて取り外します(右、左)。



- 4 フロントパネル(5)を手前に傾けて、上に持ち上げて取り外します。



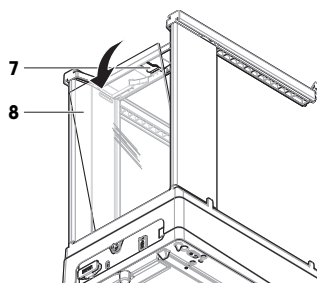
- 5 上部ドア(6)を手前に引いて取り外します。



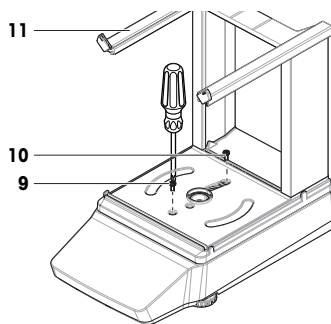
- 6 ロック解除ボタン(7)を押し、背面パネル(8)を傾けて取り外します。

注

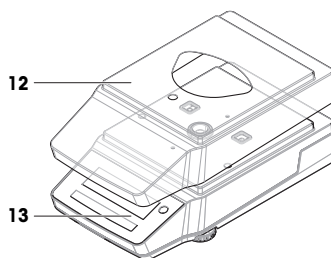
オプション(必要な場合)：洗浄する場合、以下の手順に従って保護カバーを取り外してください。



- 7 前ネジ(9)と後ネジ(10)をプラスドライバーで取り外します。
- 8 風防(11)を外します。



- 9 保護カバー(12)を計量プラットフォーム(13)から外します。

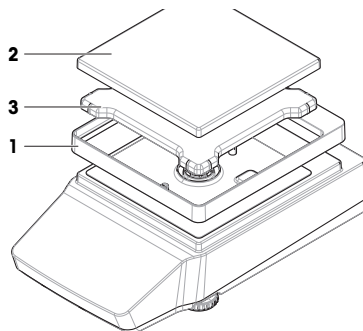


5.2.1.2 風防の無い天びん

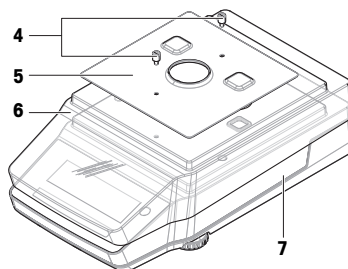
- 1 風防保護材(1)を取り外します。
- 2 計量皿(2)を取り外します。
- 3 計量皿サポート(3)を取り外します。

注

オプション(必要な場合)：洗浄する場合、以下の手順に従って保護カバーを取り外してください。

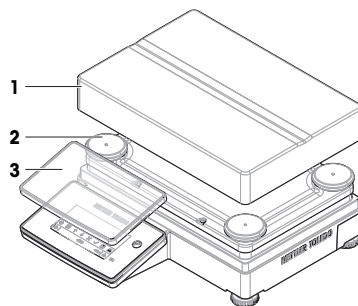


- 4 ネジ(4)を取り外して、EMCプレート(5)を取り外します。
- 5 保護カバー(6)を計量プラットフォーム(7)から外します。



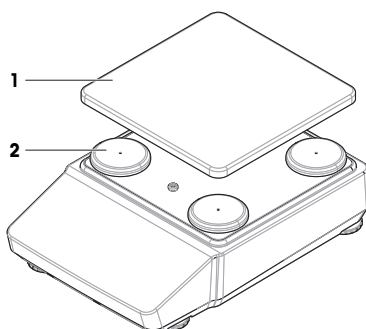
5.2.1.3 天びん、大型

- 1 計量皿 (1) を取り外します。
- 2 サポートキャップ (2) を取り外します。
- 3 オプション (必要な場合) : 洗浄する場合、以下の手順に従って保護カバー³を取り外してください。

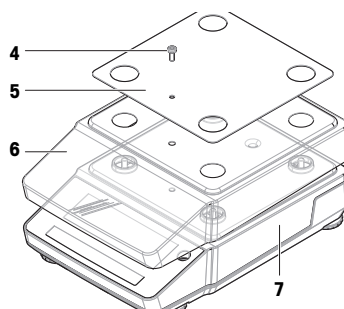


5.2.1.4 天びん (小)

- 1 計量皿 (1) を取り外します。
 - 2 サポートキャップ (2) を取り外します。
- 注**
オプション (必要な場合) : 洗浄する場合、以下の手順に従って保護カバーを取り外してください。



- 3 ネジ (4) を取り外して、EMCプレート (5) を取り外します。
- 4 保護カバー (6) を計量プラットフォーム (7) から外します。



5.2.2 天びんの清掃



注記

不適切な洗浄方法による機器の損傷

液体がハウジングに入った場合、機器に損傷を与える恐れがあります。ある種の洗浄剤、溶剤、研磨剤によって、機器の表面が損傷することがあります。

- 1 機器に液体をかけたり、噴霧したりしないでください。
- 2 ガイド「8 Steps to a Clean Balance」または機器のリファレンスマニュアル (RM) で指定されている洗浄剤のみを使用してください。
- 3 機器の清掃には、少し湿らせたリントフリーの布またはティッシュのみを使用してください。
- 4 こぼした場合は、すぐに拭き取ってください。



天びんの清掃に関する詳細については、「8 Steps to a Clean Balance」を参照してください。

▶ www.mt.com/lab-cleaning-guide

天びん周辺の清掃

- 天びんのまわりから土やほこり取り除き、汚染を予防します。

ターミナルの清掃

- 糸くずの出ない布またはティッシュと中性洗浄剤でターミナルをクリーニングします。

取り外し可能な部品のクリーニング

- 糸くずの出ない布またはティッシュと中性洗浄剤ですべての取り外し可能な部分をクリーニングするか、食器洗浄機 (80 °Cまで) で洗浄します。

計量ユニットのクリーニング

- 1 AC/DCアダプターから天びんを切断します。
- 2 中性洗浄剤で湿らせたリントフリーの布を使用して、天びんの表面をクリーニングします。
- 3 最初に使い捨てティッシュで粉体やほこりを拭き取ります。
- 4 糸くずの出ない湿った布と、水で希釈した溶剤 (例えば、70%のイソプロパノールまたはエタノール) を使用して、粘性の高い物質を除去します。

5.2.3 清掃後における機器の準備

- 1 天びんを元通りに組み立てます。
- 2 風防ドア (上部、側面) が普通に開閉することを確認します (該当する場合)。
- 3 AC/DCアダプターに天びんを再接続します。
- 4 水平調整の状態を確認し、必要であれば天びんの水平調整を行います。
- 5 「技術データ」に指定されたウォームアップに従ってください。
- 6 内部分銅調整を実施します。
- 7 社内規定に従って定期的にテストを実施してください。METTLER TOLEDOは天びん洗浄後に感度テストを実施することをお勧めします。
- 8 →0←を押して天びんをゼロ点に戻します。

⇒ 天びんは使用するための準備が整っています。

以下も参照してください

- 🔗 天びんの水平調整 ▶ 21 ページ
- 🔗 技術仕様 ▶ 33 ページ
- 🔗 内部分銅調整の実行 ▶ 23 ページ

5.3 サービス

認定サービス技術者による定期的な保守・点検により、長期にわたって信頼性を維持できます。利用できるサービスオプションの詳細については、METTLER TOLEDOのサービス担当者までお問い合わせください。

6 技術仕様

6.1 一般仕様

電源アダプタ

AC/DCアダプタ:	入力: AC100~240V±10%、50~60Hz、0.5A 出力: DC12V、1A、LPS
天びん消費電力:	12 V DC ± 10%、0.8 A
極性:	◇ ● ◇

電源 (オプション)

AC/DCアダプタ:	入力: 100 – 240 V AC ± 10%、50 – 60 Hz、0.8 A、61 – 80 VA 出力: 12V DC、2.5A、LPS
AC/DCアダプタ用ケーブル:	3芯、国別プラグ付き
天びん消費電力:	12 V DC ± 10%、0.8 A
極性:	◇ ● ◇

保護および規準

過電圧カテゴリー:	II
汚染等級:	2
防塵防水保護等級コード:	IP41 (上皿天びんのみ)

注

前述の IP は、天びんが操作可能な状態になったときのみ達成されます。保護カバーを取り付け、インターフェース接続部をキャップで覆ってください。

安全規格およびEMC規格:	適合宣言を参照してください。
使用範囲:	乾燥した室内でのみ、使用してください

環境条件

天びんは次の環境条件下で使用されるとき、限界値が適用されます:

平均海拔より高い場合:	最大 5000 m
周囲温度:	+10 – +30 °C

最大温度変化: 5 °C/h
相対湿度: 30 – 70%、結露がない場合
順応時間: 推奨: 上皿天びんの場合は最大 **4** 時間、分析天びんの場合は最大 **8** 時間。これらの値は、天びんを実際に運用する場所と同じ場所に置いた後に適用されます。

注

順応時間は、天びんの最小表示と環境条件によって異なります。

ウォーミングアップ時間: 上皿天びんの場合は**30** 分以上、分析天びんの場合は**60** 分以上です。これらの値は、天びんを電源に接続した後、または省電力モードが終了した後に適用されます。スタンバイから天びんにスイッチを入れた場合は直ちに使用可能になります。

天びんは次の環境条件下で使用できます。ただし、天びんの計量性能は、限界値外になる場合があります。

周囲温度: +5 °C – +40 °C
相対湿度: 31 °Cにおいて20%~80%、40 °Cにおいて50%まで直線的に減少、結露なきこと

天びんは次の環境条件下で梱包の切り離しおよび保管ができます:

周囲温度: -25 – +70 °C
相対湿度: 10 - 90%、結露がない場合

7 廃棄

電気・電子機器廃棄物 (WEEE) に関する欧州指令2012/19/EUに従い、この機器は生活廃棄物に含めて処分することはできません。これはEU以外の国々に対しても適用されますので、各国の該当する法律に従ってください。

本製品は、各地域の条例に定められた電気・電子機器のリサイクル回収所に廃棄してください。ご不明な点がある場合は、行政の担当部署または購入店へお問い合わせください。この機器が第三者に譲渡される場合、この規制の内容も説明される必要があります。



8 コンプライアンス情報

FCCサブライヤ適合宣言書といった国家承認文書はオンラインで入手可能またはおよびパッケージに含まれています。

▶ www.mt.com/ComplianceSearch



詳細については、リファレンスマニュアル (RM) を参照してください。

▶ www.mt.com/MA-RM

1	Úvod	3
1.1	Účel tohoto dokumentu	3
1.2	Další dokumenty a informace	3
1.3	Zkratky	3
2	Bezpečnostní informace	4
2.1	Definice signálních slov a výstražných symbolů	4
2.2	Bezpečnostní pokyny týkající se konkrétního produktu	5
3	Konstrukce a funkce	5
3.1	Přehled analytických vah	6
3.2	Přehled přesných vah, malé rozměry	6
3.3	Přehled přesných vah, velké rozměry	7
3.4	Přehled přesných vah, kompaktní	7
3.5	Popis terminálu	8
3.6	Přehled připojení k rozhraní	8
3.7	Popis součástí	9
3.7.1	Kryt proti proudění vzduchu	9
3.7.2	Vážicí miska	9
3.7.3	Odkapávací miska	9
3.7.4	Držadlo dvířek	9
3.7.5	Nastavitelné nožky	10
3.7.6	Terminál	10
3.7.7	QuickLock pro dveře a přední panel	10
3.7.8	Odjišťovací tlačítko pro zadní panel	10
3.8	Uživatelské rozhraní	11
3.8.1	Stručný přehled hlavních částí	11
3.8.2	Hlavní vážicí obrazovka	12
4	Instalace a uvedení do provozu	14
4.1	Výběr umístění	14
4.2	Vybalení váhy	14
4.3	Instalace	15
4.3.1	Váhy s krytem proti proudění vzduchu	16
4.3.2	Váhy bez krytu proti proudění vzduchu	18
4.3.3	Váhy, velké rozměry	18
4.3.4	Kompaktní váhy	18
4.4	Uvedení do provozu	19
4.4.1	Připojení váhy	19
4.4.2	Zapnutí váhy	19
4.4.3	Vyrovnání váhy	19
4.4.3.1	Vyrovnání velkých vah	20
4.4.3.2	Vyrovnání kompaktních vah	20
4.4.3.3	Vyrovnání všech ostatních vah	21
4.4.4	Provedení interního justování	21
4.4.5	Vstup do pohotovostního režimu / opuštění pohotovostního režimu	22
4.4.6	Vstup / výstup z režimu hibernace	22
4.4.7	Vypnutí váhy	22
4.5	Provedení jednoduchého vážení	22
4.5.1	Otevírací a zavírací dvířka krytu proti proudění vzduchu	22
4.5.2	Vynulování váhy	22
4.5.3	Tárování váhy	23
4.5.4	Vážení	23

4.6	Použití baterií (kompaktní váha)	23
4.6.1	Vložení a výměna baterií	23
4.7	Přeprava, balení a skladování	24
4.7.1	Přemisťování váhy na krátkou vzdálenost	24
4.7.2	Přemisťování váhy na delší vzdálenost.....	24
4.7.3	Balení a skladování	24
5	Údržba	25
5.1	Úkoly údržby	25
5.2	Čištění	25
5.2.1	Demontáž pro čištění	25
5.2.1.1	Váhy s krytem proti proudění vzduchu.....	26
5.2.1.2	Váhy bez krytu proti proudění vzduchu.....	28
5.2.1.3	Váhy, velké rozměry.....	28
5.2.1.4	Kompaktní váhy	29
5.2.2	Čištění váhy	29
5.2.3	Uvedení do provozu po čištění	30
5.3	Servis	30
6	Technické údaje	30
6.1	Všeobecné údaje.....	30
7	Likvidace	31
8	Informace o shodě	31

1 Úvod

Děkujeme vám, že jste si vybrali váhu METTLER TOLEDO. Váha v sobě spojuje vysoký výkon a snadné používání.

EULA

Software v tomto produktu je licencován licenční smlouvou METTLER TOLEDO Smlouva o koncovém užívání licence (EULA) pro software.

Při používání tohoto produktu souhlasíte s podmínkami smlouvy EULA.

► www.mt.com/EULA

1.1 Účel tohoto dokumentu

Tento návod k obsluze obsahuje stručné pokyny pro první kroky při práci s přístrojem. Takto je zajištěna bezpečná a účinná manipulace. Před prováděním jakýchkoli úkonů jsou zaměstnanci povinni si nejprve přečíst tento návod a důkladně porozumět jeho obsahu.

1.2 Další dokumenty a informace

Tento dokument je k dispozici v dalších jazycích on-line.



► www.mt.com/MA-UM

Stránka produktu:

► www.mt.com/MA-balances

Pokyny pro čištění váhy, „8 Steps to a Clean Balance“:

► www.mt.com/lab-cleaning-guide

Vyhledání softwaru:

► www.mt.com/labweighing-software-download

Vyhledání dokumentů:

► www.mt.com/library

Pro další dotazy kontaktujte autorizovaného METTLER TOLEDO prodejce nebo zástupce servisního střediska.

► www.mt.com/contact

1.3 Zkratky

Původní pojem	Přeložený pojem	Popis
AC		Alternating Current (Střídavý proud)
ASTM		American Society for Testing and Materials (Americká společnost pro testování a materiály)
DC		Direct Current (Stejnoseměrný proud)
EMC		Electromagnetic Compatibility (Elektromagnetická kompatibilita)
FCC		Federal Communications Commission (Federální komunikační komise)
GWP		Good Weighing Practice
HID		Human Interaction Device

ID	Identification (Identifikace)
IP	Ingress Protection
LAN	Local Area Network (Lokální síť)
LED	Light-Emitting Diode (Elektroluminiscenční dioda)
LPS	Limited Power Source (Omezený zdroj energie)
MAC	Media Access Control (Adresa zařízení v lokální počítačové síti)
MT-SICS	METTLER TOLEDO Standard Interface Command Set (Standardní sada příkazů rozhraní METTLER TOLEDO)
NA	Not Applicable (Nelze použít)
OIML	Organisation Internationale de Métrologie Légale (Mezinárodní organizace pro legální metrologii)
RAM	Random Access Memory (Paměť s náhodným přístupem)
RM	Reference Manual (Reference Manual)
SOP	Standard Operating Procedure (Standardní operační postup)
UM	User Manual (Návod k použití)
USB	Universal Serial Bus (Univerzální sériové rozhraní)
USP	United States Pharmacopeia (Lékopis spojených států amerických)

2 Bezpečnostní informace

Pro tento přístroj jsou k dispozici dva dokumenty s názvem "Návod k použití" a "Referenční příručka".

- Návod k použití je k dispozici online v různých jazycích.
- S přístrojem se dodává tištěná verze návodu k použití.
- Referenční příručka je k dispozici online. Tato příručka obsahuje podrobný popis přístroje a jeho funkcí.
- Oba dokumenty si uschovejte pro pozdější použití.
- Oba návody předejte dalším uživatelům spolu s přístrojem.

Přístroj používejte pouze v souladu s návodem k použití a referenční příručkou. Pokud přístroj nebudete používat podle obou dokumentů anebo jej jakkoli upravíte, může tím dojít k narušení jeho bezpečnosti a Mettler-Toledo GmbH v takovém případě nepřijímá žádnou odpovědnost.

2.1 Definice signálních slov a výstražných symbolů

Bezpečnostní pokyny obsahují důležité informace týkající se bezpečnosti. Nerespektování bezpečnostních pokynů může vést ke zranění osob, poškození přístroje, nesprávné funkci a chybným výsledkům. Bezpečnostní pokyny jsou označeny následujícími signálními slovy a výstražnými symboly:

Signální slova

NEBEZPEČÍ

Nebezpečná situace s vysokou mírou rizika způsobující smrt nebo vážné zranění.

VAROVÁNÍ	Označuje nebezpečnou situaci se střední mírou rizika, která může způsobit smrt nebo vážné zranění.
UPOZORNĚNÍ	Označuje nebezpečnou situaci s nízkou mírou rizika, která může způsobit lehké nebo středně vážné zranění.
OZNÁMENÍ	Označuje nebezpečnou situaci s nízkou mírou rizika, která může způsobit poškození přístroje, jiné hmotné škody, závady, chybné výsledky či ztrátu dat.

Výstražné symboly



Obecné nebezpečí



Oznámení

2.2 Bezpečnostní pokyny týkající se konkrétního produktu

Určené použití

Tento přístroj je určen k použití kvalifikovaným personálem. Tento přístroj je určen k vážení.

Jakýkoli jiný druh použití nebo provozování, které nespadá do omezení uvedených Mettler-Toledo GmbH je bez souhlasu Mettler-Toledo GmbH považován za odporující zamýšlenému účelu zařízení.

Odpovědnosti vlastníka přístroje

Vlastníkem přístroje se rozumí osoba, která je držitelem právního nároku k přístroji a používá jej nebo pověří jinou osobu jeho používáním, případně osoba, která je ze zákona považována za provozovatele přístroje. Vlastník přístroje odpovídá za bezpečnost všech uživatelů přístroje a třetích osob.

Mettler-Toledo GmbH předpokládá, že vlastník přístroje proškolí uživatele, jak přístroj bezpečně na pracovišti používat a jak se vypořádat s možnými nebezpečími. Mettler-Toledo GmbH předpokládá, že vlastník přístroje poskytne nezbytné ochranné pracovní prostředky.

Bezpečnostní pokyny



VAROVÁNÍ

Smrt nebo vážné poranění v důsledku úrazu elektrickým proudem

Kontakt se součástmi pod elektrickým proudem může způsobit smrt nebo poranění.

- 1 Používejte pouze napájecí kabel METTLER TOLEDO a síťový adaptér určené pro váš přístroj.
- 2 Napájecí kabel zapojte do uzemněné zásuvky.
- 3 Nevystavujte elektrické kabely ani přípojky působení kapalin a vlhkosti.
- 4 Zkontrolujte, zda kabely a zástrčka nejsou poškozené, a v případě potřeby je vyměňte.



OZNÁMENÍ

Poškození přístroje v důsledku použití nesprávných dílů

- Používejte pouze díly od METTLER TOLEDO, které jsou určeny pro použití s vaším přístrojem.

Seznam náhradních dílů a příslušenství naleznete v referenční příručce.

3 Konstrukce a funkce

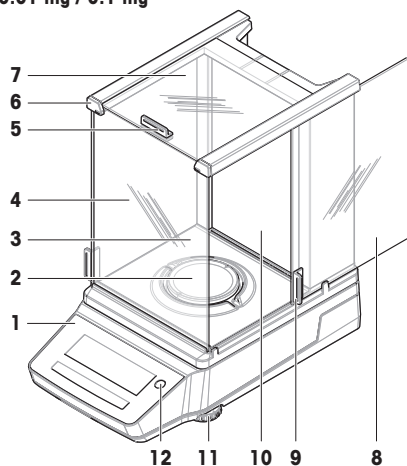


Podrobné informace naleznete v referenční příručce (RM).

► www.mt.com/MA-RM

3.1 Přehled analytických vah

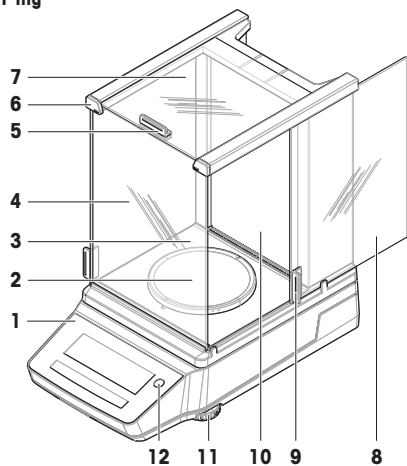
0.01 mg / 0.1 mg



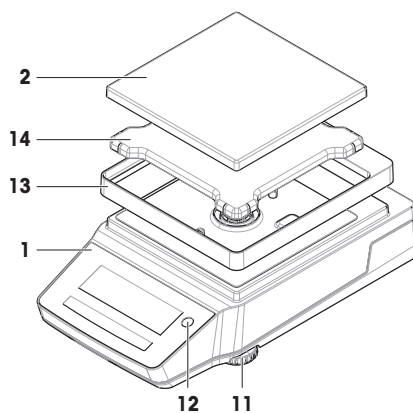
1	Terminál	7	Horní dvířka krytu proti proudění vzduchu
2	Vážící miska	8	Boční dvířka krytu proti proudění vzduchu (pravá/levá)
3	Odkapávací miska	9	Klika, boční dveře
4	Přední panel krytu proti proudění vzduchu	10	Zadní panel krytu proti proudění vzduchu
5	Držadlo, horní dvířka	11	Nastavitelné nožky
6	QuickLock, čelní panel	12	Libela

3.2 Přehled přesných vah, malé rozměry

1 mg



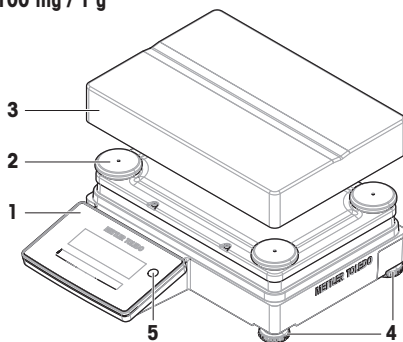
10 mg / 100 mg



1	Terminál	8	Boční dvířka krytu proti proudění vzduchu (pravá/levá)
2	Vážicí miska	9	Klika, boční dveře
3	Odkapávací miska	10	Zadní panel krytu proti proudění vzduchu
4	Přední panel krytu proti proudění vzduchu	11	Nastavitelné nožky
5	Držadlo, horní dvířka	12	Libela
6	QuickLock, čelní panel	13	Ochranný prvek proti proudění vzduchu
7	Horní dvířka krytu proti proudění vzduchu	14	Podložka pro vážicí misku

3.3 Přehled přesných vah, velké rozměry

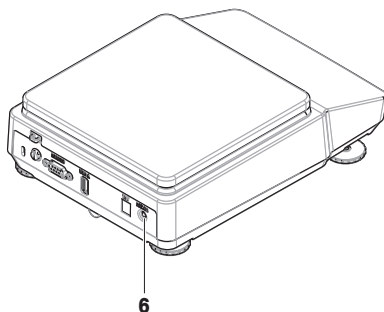
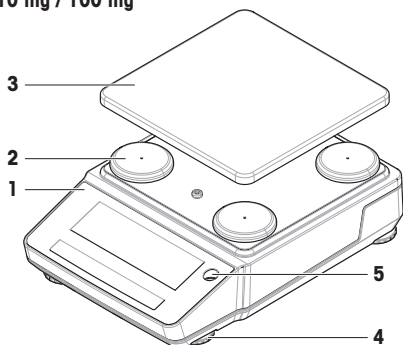
100 mg / 1 g



1	Terminál	4	Nastavitelné nožky
2	Krytka podložky pro vážicí misku	5	Libela
3	Vážicí miska		

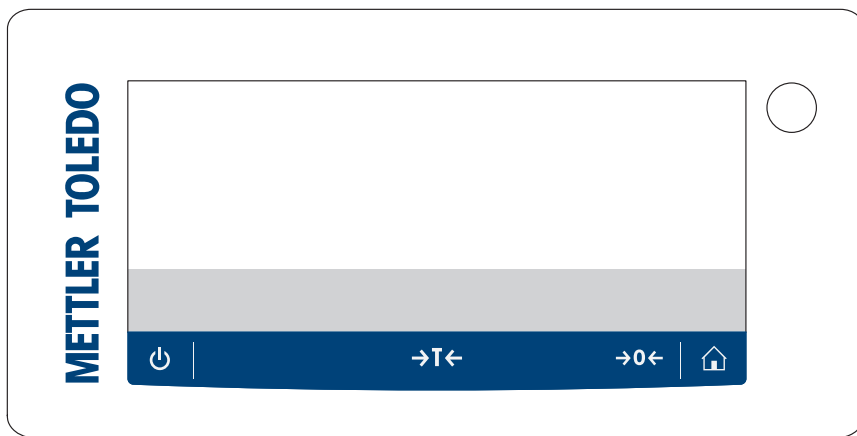
3.4 Přehled přesných vah, kompaktní





10 mg / 100 mg



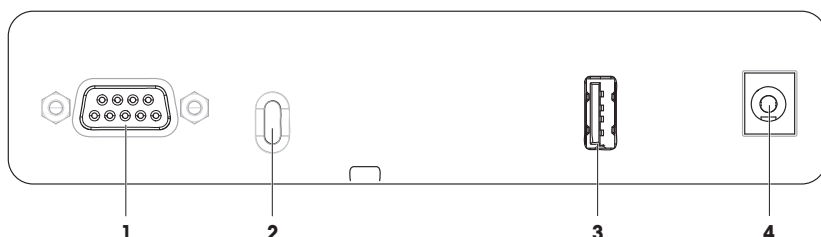
1	Terminál	4	Nastavitelné nožky
2	Krytka podložky pro vážicí misku	5	Libela
3	Vážicí miska	6	Budící spínač (režim baterie)

3.5 Popis terminálů



Název	Popis
 Pohotovostní režim	<p>Klepnutím na tlačítko  se váha nevypne úplně, pouze se přepne do pohotovostního režimu. Pro úplné vypnutí je nutné váhu odpojit od napájení.</p> <p>Poznámka Neodpojujte váhu od napájení, pokud se nechystáte váhu na delší období nepoužívat. Přístroj se po zapnutí musí zahřát, aby podal přesné výsledky.</p> <p>Poznámka Kompaktní váhy pouze v režimu baterie: Klepnutím na  váhu kompletně vypnete. Není k dispozici žádný pohotovostní režim.</p>
→T← Tára	<p>Táruje váhu.</p> <p>Tato funkce se používá, když postup vážení zahrnuje nádoby. Po tárování váhy se na displeji zobrazuje Net, což znamená, že všechny zobrazené hmotnosti jsou netto.</p>
→0← Nulování	<p>Vynuluje váhu.</p> <p>Před započítáním postupu vážení je vždy nezbytné váhu vynulovat. Po vynulování má váha určený nový nulový bod.</p>
 Home	<p>Slouží k návratu z jakékoli úrovně menu nastavení na hlavní vážicí obrazovku aktuálně nastavené nebo naposledy použité aplikace.</p>

3.6 Přehled připojení k rozhraní

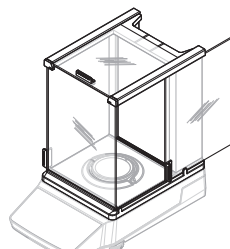


1	RS232C sériové rozhraní	3	USB-A port
2	Slot pro kabel proti krádeži	4	Zásuvka pro síťový adaptér

3.7 Popis součástí

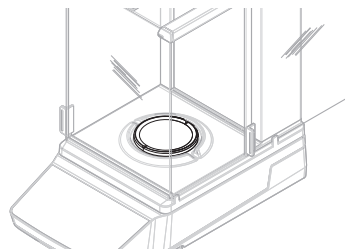
3.7.1 Kryt proti proudění vzduchu

Ochranný kryt proti proudění vzduchu chrání vážicí plochu proti vlivům prostředí, jako jsou proudění vzduchu nebo vlhkost. Boční dvířka a horní dvířka lze otevřít ručně.



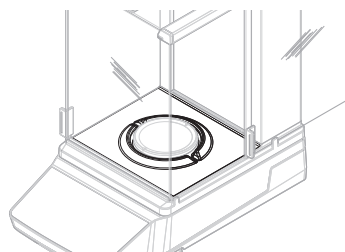
3.7.2 Vážicí miska

Vážicí miska je nosič zátěže, který slouží k uložení vážené položky.



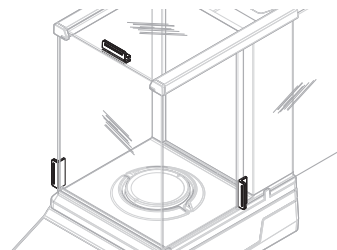
3.7.3 Odkapávací miska

Odkapávací miska je umístěna pod vážicí miskou. Primárním účelem odkapávací misky je zajištění rychlého čištění váhy.



3.7.4 Držadlo dvířek

Na dvířkách krytu jsou namontovány madla dvířek. Madla slouží k ručnímu otevírání bočních dvířek a horních dvířek krytu proti proudění vzduchu.

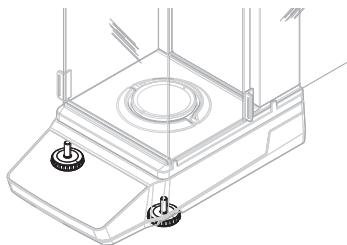


3.7.5 Nastavitelné nožky

Váha stojí na výškově stavitelných nožkách. Tyto nožky slouží k vyrovnání váhy.

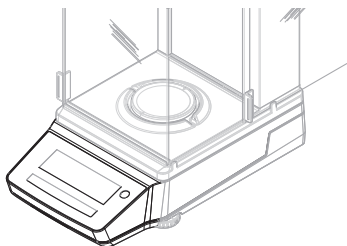
Poznámka

Velké váhy a kompaktní váhy jsou vybaveny čtyřmi vyrovnávacími nožkami.



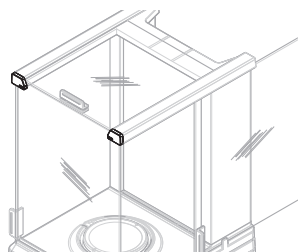
3.7.6 Terminál

Terminál je integrován do váhy a je vybaven LCD displejem. Terminál a vázicí můstek jsou chráněny výměnným krytem.



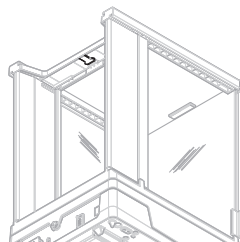
3.7.7 QuickLock pro dveře a přední panel

V závislosti na poloze slouží QuickLock k zamknutí/odemknutí horních dvířek, bočních dvířek a předního panelu krytu proti proudění vzduchu.



3.7.8 Odjišťovací tlačítko pro zadní panel

Odjišťovací tlačítko slouží k zamknutí/odemknutí zadního panelu krytu proti proudění vzduchu.



3.8 Uživatelské rozhraní

3.8.1 Stručný přehled hlavních částí

Hlavní vážicí obrazovka (1) zobrazuje výsledky vážení a poskytuje zpětnou vazbu o stavu váhy. Ovládací tlačítka (2) jsou hlavním navigačním prvkem, pomocí něhož je možné přistupovat ke všem nabídkám a nastavením a provádět jejich výběr.



	Název	Popis
1	Hlavní vážicí obrazovka	Zobrazuje výsledky vážení a poskytuje informace o stavu váhy.
2	Ovládací tlačítka	Umožňují přístup k menu a funkcím vah.

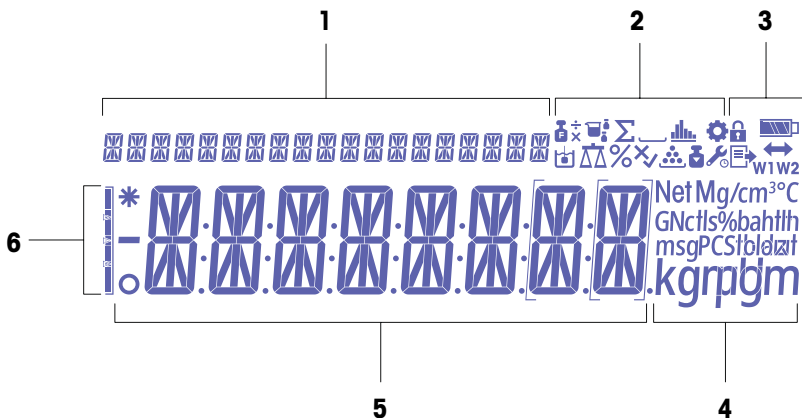
Ovládací tlačítka

	Název	Popis
	Nastavení	Přístup do menu nastavení.
	Aplikace	Přístup do menu aplikací.
	Předchozí / Nahoru / Zvýšení	<ul style="list-style-type: none"> • Skrolování nahoru v seznamu témat. • Přepínání mezi jednotkou 1, jednotkou 2 a jednotkou aplikace (je-li k dispozici). • Zvýšení počtu. • Přidání zjištěné hmotnosti v rámci aplikace.
	Další / Dolů / Snížení	<ul style="list-style-type: none"> • Skrolování dolů v seznamu témat. • Přepínání mezi jednotkou 1, jednotkou 2 a jednotkou aplikace (je-li k dispozici). • Snížení počtu.
	Zrušit	Zrušení úkolu nebo opuštění menu bez uložení.
	Přijmout	<ul style="list-style-type: none"> • Přístup do zvoleného menu. • Spuštění vybrané aplikace. • Potvrzení zadání.
	Justování	Provedení předdefinované procedury justování.
	Tisk / přenos	<ul style="list-style-type: none"> • Vytisknutí hodnoty zobrazené na displeji. • Vytisknutí nastavení aktivního uživatelského menu. • Přenos dat do předdefinovaného cílového umístění.

Viz též

🔗 [Hlavní vážicí obrazovka](#) ▶ strana 12






3.8.2 Hlavní vážicí obrazovka















1	Text pro školitele	4	Ikony zařízení
2	Ikony aplikací	5	Hodnota hmotnosti / štítek menu / štítek parametru / hodnota parametru
3	Stavové ikony	6	Průvodce pro navažování

Ikony aplikací

	Název	Popis
	Aplikace "Division Factor Weighing" (vážení s dělicím koeficientem)	Aplikace "Division Factor Weighing" vydělí předdefinovaný koeficient hodnotou hmotnosti (v gramech): výsledek = koeficient/hmotnost Výsledek je zaokrouhlen na předdefinovaný počet desetinných míst.
	Aplikace "Multiplication Factor Weighing" (vážení s násobícím koeficientem)	Aplikace "Multiplication Factor Weighing" vynásobí hodnotu hmotnosti (v gramech) předdefinovaným koeficientem: výsledek = koeficient × hmotnost Výsledek je zaokrouhlen na předdefinovaný počet desetinných míst.
	Aplikace "Formulation"	Aplikace "Formulation" (čistý součet) má několik účelů. <ul style="list-style-type: none"> Zvážit (přidat a uložit) až 999 hmotností jednotlivých položek a zobrazit součet. Pokud je připojena tiskárna, hmotnosti položek se vytisknou jednotlivě a jako součet. Tárování/předběžné tárování a uložení hmotností až 999 nádob a zobrazení součtu. Pokud je připojena tiskárna, hmotnosti táry se vytisknou jednotlivě a jako součet. Vyplnění součtu hodnot čistých hmotností všech položek přidáním další položky k vyšší hodnotě.
	Aplikace "Totaling"	Aplikace "Totaling" (sčítání) umožňuje zvážit různé vzorky, přidat jejich hodnoty hmotnosti a sečíst je. Můžete sečíst hmotnosti 1 až 999 vzorků.
	Aplikace "Statistics"	Pomocí aplikace "Statistics" (statistika) můžete vygenerovat statistiku ze série navážených hodnot. K dispozici jsou hodnoty od 1 do 999.

	Název	Popis
	Aplikace "Dynamic weighing"	Pomocí aplikace "Dynamic Weighing" (dynamické vážení) můžete určit hmotnost nestabilních vzorků nebo určit hmotnost za nestabilních okolních podmínek. Váha vypočítá hmotnost jako průměr několika vážení během definované doby.
	Aplikace Hustota	Aplikace Hustota umožňuje stanovit hustotu pevných těles a kapalin. Při stanovování hustoty se využívá "Archimédova zákona", podle něhož je těleso ponořené do kapaliny nadlehčováno silou, rovnající se tíze kapaliny stejného objemu jako je ponořená část tělesa.
	Aplikace Vážení	Aplikace Vážení se používá pro jednoduché úlohy vážení nebo pro provádění sérií měření.
	Aplikace Kontrolní vážení	Aplikace Kontrolní vážení vám umožňuje zkontrolovat odchylku hmotnosti váženého vzorku v mezi tolerance vůči referenční cílové hmotnosti.
	Aplikace Počítání	Aplikace Počítání umožňuje určit počet kusů vložených na vážicí misku.

Stavové ikony

	Název	Popis
	Nastavení menu aktivována	Nastavení menu jsou aktivována a lze je upravovat.
	Nastavení menu zablokována	Nastavení menu jsou zablokována a nelze je upravovat.
	Interní justování spuštěno	Interní justování váhy bylo spuštěno.
	Připomenutí servisu	Nutný servis přístroje.
	Zveřejnění	Data jsou publikována.
	Stav nabití baterie	Pouze kompaktní váhy: Označuje úroveň nabití baterie. <ul style="list-style-type: none"> : Baterie plně nabitá : Baterie nabitá ze 3/4 : Baterie nabitá ze 1/2 : Baterie nabitá ze 1/4 : Baterie je vybitá
	Široké možnosti připojení	Datové připojení k jinému zařízení.
W1	Vážicí rozsah 1	Vážicí rozsah 1 je aktivní.
W2	Vážicí rozsah 2	Vážicí rozsah 2 je aktivní.
Net	Hodnoty čisté hmotnosti	„Net“ označuje, že všechny hodnoty hmotnosti jsou čisté hmotnosti.
G	Hodnoty hrubé hmotnosti	Zobrazí se hodnoty hrubé hmotnosti.
M	Uložená hodnota (paměť)	Zobrazí se hodnota uložená v paměti vah.

Ikony na štítcích

	Název	Popis
*	Vypočítaná hodnota	Indikuje, že zobrazená hodnota je vypočítána.
o	Nestabilní hodnota	Indikuje, že zobrazená hodnota je nestabilní, což znamená, že se v průběhu času mění.
[]	Neověřované číslice	Závorky označují neověřované číslice (pouze u schválených modelů vah).

4 Instalace a uvedení do provozu

4.1 Výběr umístění

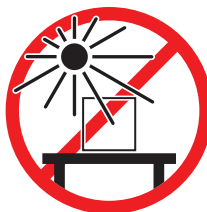
Váha je citlivý vysoce přesný přístroj. Její umístění přímo ovlivňuje přesnost výsledků vážení.

Požadavky na umístění

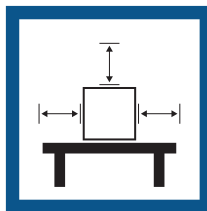
Umístěte na stabilní povrch v interiéru



Místo musí být mimo dosah přímého slunečního světla



Zajistěte dostatečnou vzdálenost mezi výrobky



Zabraňte vibracím



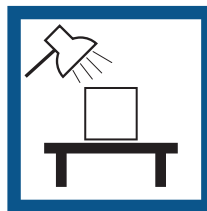
Vyrovnejte přístroj



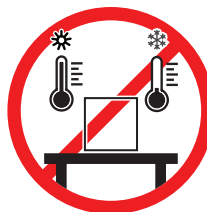
Zabraňte silnému proudění vzduchu



Zajistěte odpovídající osvětlení



Zabraňte nadměrnému kolísání teplot



Vezměte v úvahu podmínky prostředí. Viz "Technické údaje".

Dostatečný prostor mezi váhami: > 15 cm v okolí přístroje

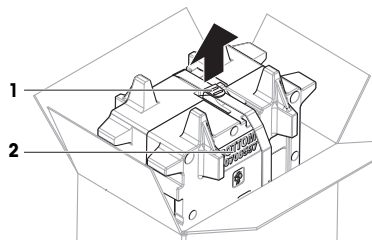
4.2 Vybalení váhy

Zkontrolujte obal váhy i jednotlivé zabalené součásti, zda nevykazují známky poškození. Je-li některá součást poškozena, kontaktujte zástupce servisního střediska METTLER TOLEDO.

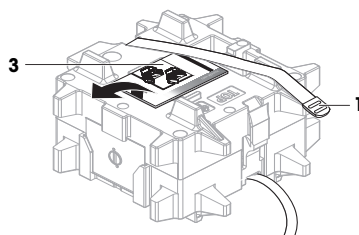
1 Poznámka

V závislosti na modelu váhy se vzhled balení může u jednotlivých modelů lišit.

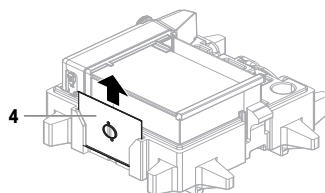
- 1 Otevřete krabici a vyjměte zabalený výrobek pomocí popruhu (1).
- 2 Položte obal na rovnou plochu popisem BOTTOM (2) směrem dolů.



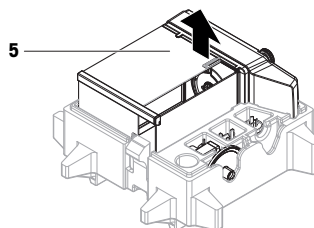
- 3 Rozepněte popruh (1) a vyjměte návod k použití (3).



- 4 Odstraňte horní část obalu a opatrně vybalte odkapávací misku (4).



- 5 Opatrně vybalte váhu (5) a všechny ostatní položky.
- 6 Odstraňte ochranný vak.
- 7 Ochranný kryt instalujte na vážicí můstek a na terminál.
- 8 Všechny součásti obalu uschovejte na bezpečné místo pro budoucí použití.
➔ Váha je nyní připravena na instalaci.



4.3 Instalace

1 Poznámka

Vzhled součástí se může u jednotlivých modelů lišit.

4.3.1 Váhy s krytem proti proudění vzduchu



UPOZORNĚNÍ

Zranění způsobené ostrými předměty nebo rozbitým sklem

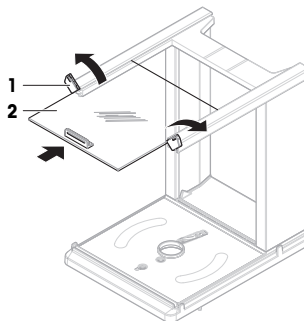
Přístrojové komponenty, např. sklo, se mohou rozbit a způsobit zranění.

- Vždy postupujte opatrně a s náležitou péčí.

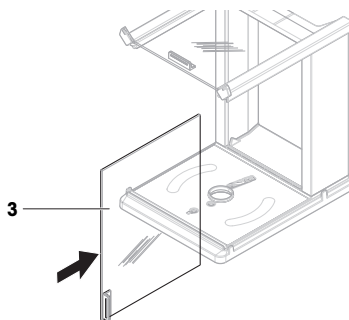
1 Poznámka

Přeskočte kroky 1 – 5 při prvním vybalení váhy, nebo pokud je ochranný kryt proti proudění vzduchu již sestaven a namontován na vážicí můstek.

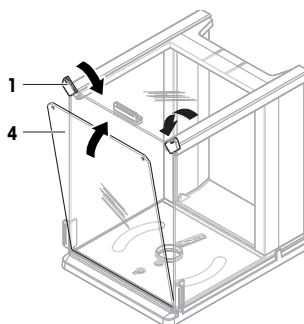
- 1 Montáž krytu proti proudění vzduchu: Otočte QuickLock (1, vpravo, vlevo) a zasuňte horní dvířka (2).



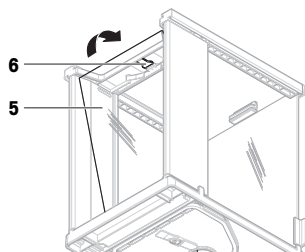
- 2 Zasuňte boční dvířka (3) (pravá, levá).



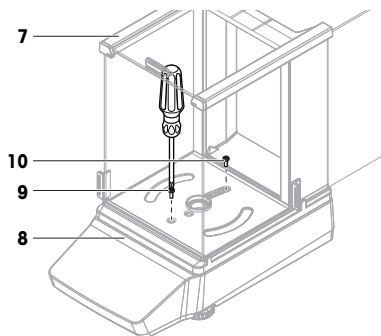
- 3 Nasadte přední panel (4), potom otočte QuickLock (1, vpravo, vlevo), aby panel držel na místě.



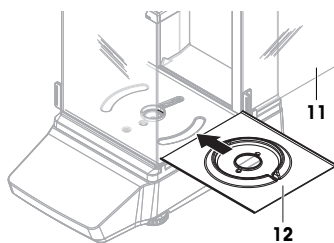
- 4 Připevňte zadní panel (5). Ujistěte se, že odjišťovací tlačítko (6) zaklaplo.



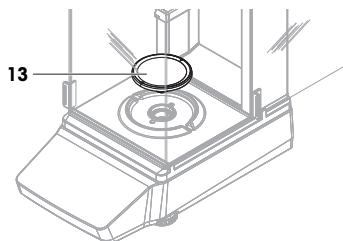
- 5 Upevněte kryt proti proudění vzduchu (7) k vážicímu můstku (8) upevněním předního šroubu (9) a zadního šroubu (10) křížovým šroubovákem.



- 6 Otevřete zcela boční dvířka (11).
7 Nasadte odkapávací misku (12).

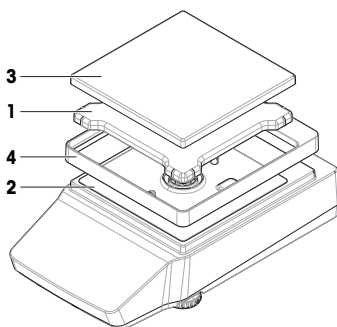


- 8 Instalujte vážicí misku (13).
➔ Váha je připravena k použití.



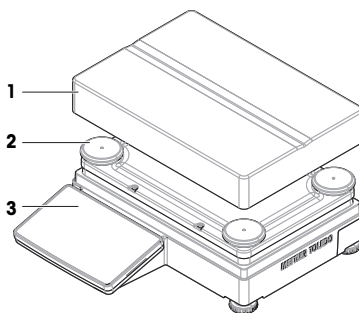
4.3.2 Váhy bez krytu proti proudění vzduchu

- 1 Položte vážicí misku (1) na horní část vážicího můstku (2).
 - ☒ Poznámka**
Abyste svou váhu ochránili, ponechte na vážicím můstku namontovaný ochranný kryt (2).
 - 2 Položte vážicí misku (3) nahoru na krytky podložky vážicí misky (1).
 - 3 Ochranný lem proti proudění vzduchu (4) položte na vážicí můstek (2).
- ➔ Váha je připravena k použití.



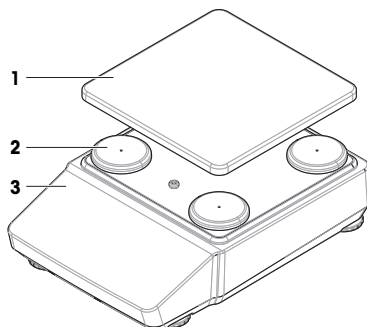
4.3.3 Váhy, velké rozměry

- Vážicí misku (1) položte na krytky podložky (2).
 - ☒ Poznámka**
Abyste svou váhu ochránili, ponechte na terminálu nainstalovaný ochranný kryt (3).
- ➔ Váha je připravena k použití.



4.3.4 Kompaktní váhy

- Vážicí misku (1) položte na krytky podložky (2).
 - ☒ Poznámka**
Abyste svou váhu ochránili, ponechte na vážicím můstku namontovaný ochranný kryt (3).
- ➔ Váha je připravena k použití.



4.4 Uvedení do provozu

4.4.1 Připojení váhy



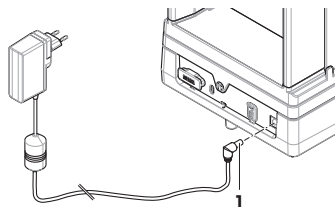
VAROVÁNÍ

Smrt nebo vážné poranění v důsledku úrazu elektrickým proudem

Kontakt se součástmi pod elektrickým proudem může způsobit smrt nebo poranění.

- 1 Používejte pouze napájecí kabel METTLER TOLEDO a síťový adaptér určené pro váš přístroj.
- 2 Napájecí kabel zapojte do uzemněné zásuvky.
- 3 Nevystavujte elektrické kabely ani přípojky působení kapalin a vlhkosti.
- 4 Zkontrolujte, zda kabely a zástrčka nejsou poškozené, a v případě potřeby je vyměňte.

- 1 Kabely musejí být uspořádány tak, aby nemohlo dojít k jejich poškození a aby nemohly rušit provoz přístroje.
- 2 Zasuňte zástrčku síťového adaptéru AC/DC (1) do zásuvky napájení přístroje.
- 3 Konektor napájecího kabelu zapojte do snadno přístupné uzemněné zásuvky.
⇒ Váha se zapne automaticky.



i Poznámka

Nepřipojujte přístroj k elektrické zásuvce ovládané spínačem. Přístroj se po zapnutí musí zahřát, aby podal přesné výsledky.

Viz též

🔗 Všeobecné údaje ▶ strana 30

4.4.2 Zapnutí váhy

Po připojení k napájení se váha zapne automaticky.

Aklimatizace a zahřátí

Abyste získali přesné výsledky, musí se váha před použitím:

- aklimatizovat na pokojovou teplotu
- zahřát připojením ke zdroji napájení

Informaci o časech aklimatizace a zahřívání váhy najdete v části Všeobecné údaje.

i Poznámka

Když váha opouští pohotovostní režim, je připravena k provozu ihned.

Viz též

🔗 Všeobecné údaje ▶ strana 30

🔗 Vstup do pohotovostního režimu / opuštění pohotovostního režimu ▶ strana 22

🔗 Vstup / výstup z režimu hibernace ▶ strana 22

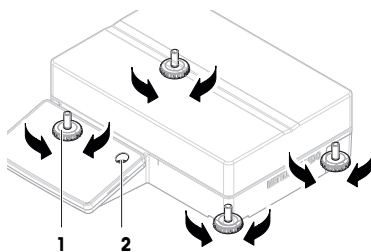
🔗 Vypnutí váhy ▶ strana 22

4.4.3 Vyrovnání váhy

Přesné a stabilní vodorovné umístění je předpokladem pro opakovatelné a přesné výsledky vážení.

4.4.3.1 Vyrovnání velkých vah

- 1 Zcela zašroubujte všechny vyrovnávací nožky.
- 2 Vyšroubujte o dvě až tři otáčky všechny vyrovnávací nožky, kromě zadní levé vyrovnávací nožky.
- 3 Otáčejte vyrovnávacími nožkami (1), dokud nebude vzduchová bublina uprostřed indikátoru úrovně (2). Postupujte podle následujícího příkladu.
- 4 Vyšroubujte levou zadní vyrovnávací nožku tak, aby se dotýkala plochy stolu.
 - Váha je vyrovnána a podepřena všemi čtyřmi vyrovnávacími nožkami.



Příklad

Vzduchová bublina je „na 12 hodinách“:



Otočte obě přední nožky ve směru hodinových ručiček.
Pravou zadní nožkou otáčejte proti směru hodinových ručiček.

Vzduchová bublina je „na 3 hodinách“:



Otočte levou přední nožku ve směru hodinových ručiček, pravou přední nožku otočte proti směru hodinových ručiček.
Pravou zadní nožkou otáčejte proti směru hodinových ručiček.

Vzduchová bublina je „na 6 hodinách“:

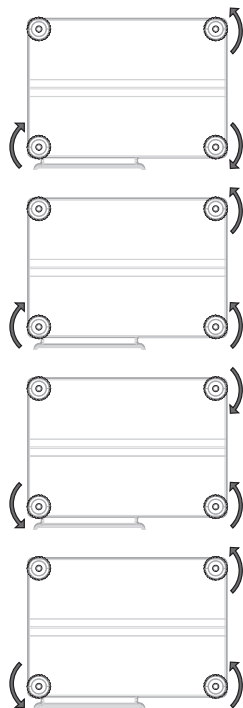


Otočte obě přední nožky proti směru hodinových ručiček.
Pravou zadní nožkou otáčejte ve směru hodinových ručiček.

Vzduchová bublina je „na 9 hodinách“:

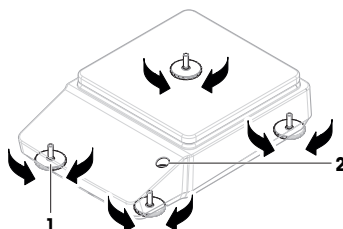


Otočte obě přední nožky proti směru hodinových ručiček.
Pravou zadní nožkou otáčejte proti směru hodinových ručiček.



4.4.3.2 Vyrovnání kompaktních vah

- 1 Zašroubujte zcela obě zadní vyrovnávací nožky.
- 2 Vyšroubujte obě přední stavitelné nožky o dvě až tři otáčky.
- 3 Otáčejte předními vyrovnávacími nožkami (1), dokud nebude vzduchová bublina uprostřed indikátoru úrovně (2). Postupujte podle následujícího příkladu.
- 4 Vyšroubujte obě zadní stavitelné nožky tak, aby se dotýkaly desky stolu.
 - Váha je vyrovnána a podepřena všemi čtyřmi vyrovnávacími nožkami.

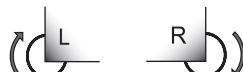


Příklad

Vzduchová bublina je „na 12 hodinách“:



Otočte obě nožky ve směru hodinových ručiček.



Vzduchová bublina je „na 3 hodinách“:



Otočte levou nožku ve směru hodinových ručiček a pravou nožku proti směru hodinových ručiček.



Vzduchová bublina je „na 6 hodinách“:



Otočte obě nožky ve směru hodinových ručiček.



Vzduchová bublina je „na 9 hodinách“:

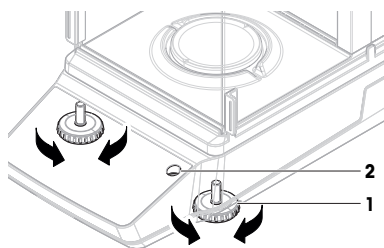


Otočte levou nožku ve směru hodinových ručiček a pravou nožku proti směru hodinových ručiček.



4.4.3.3 Vyrovnání všech ostatních vah

- Otáčejte vyrovnávacími nožkami (1), dokud nebude vzduchová bublina uprostřed indikátoru úrovně (2).



Příklad

Vzduchová bublina je „na 12 hodinách“:



Otočte obě nožky ve směru hodinových ručiček.



Vzduchová bublina je „na 3 hodinách“:



Otočte levou nožku ve směru hodinových ručiček a pravou nožku proti směru hodinových ručiček.



Vzduchová bublina je „na 6 hodinách“:



Otočte obě nožky ve směru hodinových ručiček.



Vzduchová bublina je „na 9 hodinách“:





Otočte levou nožku ve směru hodinových ručiček a pravou nožku proti směru hodinových ručiček.



4.4.4 Provedení interního justování

- 1 Na hlavní vážicí obrazovce stiskněte .
⇒ Objeví se ADJ.INT.
- 2 Stiskněte .
⇒ Provede se justování.
⇒ Zobrazí se výsledky justování.
- 3 Stiskněte .
⇒ Váha je připravena.


4.4.5 Vstup do pohotovostního režimu / opuštění pohotovostního režimu

- 1 Pro přechod do pohotovostního režimu stiskněte  po dobu kratší než 2 sekundy.
 - ➔ Jas displeje je snížený, informace na displeji jsou viditelné. Váha je stále zapnutá.
- 2 Pro ukončení pohotovostního režimu stiskněte .
 - Případně klepněte na vážicí miskou nebo na ni položte závaží.
 - ➔ Displej je zapnutý.

4.4.6 Vstup / výstup z režimu hibernace

Poznámka

Platí pouze pro kompaktní váhy v režimu napájení z baterie.

- 1 Pro přechod do režimu hibernace stiskněte  po dobu kratší než 2 sekundy.
 - ➔ Displej je vypnutý. Váha je v režimu hibernace.
- 2 Chcete-li ukončit režim hibernace, stiskněte spínač pro probuzení na zadní straně váhy.
 - ➔ Displej je zapnutý.




4.4.7 Vypnutí váhy

Pro úplné vypnutí musí být váha napájená ze sítě odpojena od zdroje napájení. Stisknutím  se váha přepne do pohotovostního režimu.

Poznámka

Poté, co byla váha po nějakou dobu zcela vypnutá, musí se před použitím zahřát.

Viz též

-  Zapnutí váhy ▶ strana 19
-  Vstup do pohotovostního režimu / opuštění pohotovostního režimu ▶ strana 22
-  Vstup / výstup z režimu hibernace ▶ strana 22

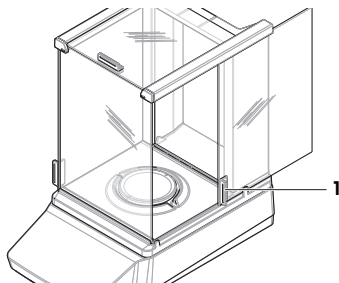
4.5 Provedení jednoduchého vážení

Poznámka


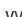
K vysvětlení postupu se používají váhy s krytem proti proudění vzduchu. U vah bez krytu proti proudění vzduchu přeskočte pokyny týkající se příslušného krytu.

4.5.1 Otevírací a zavírací dvířka krytu proti proudění vzduchu

- Dveře otevřete ručně klikou dveří (1).




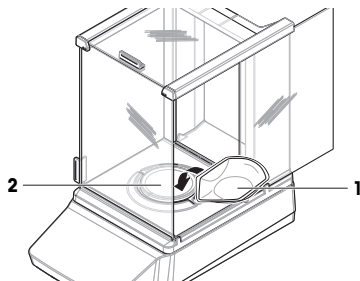
4.5.2 Vynulování váhy

- 1 Otevřete kryt proti proudění vzduchu.
- 2 Vyprázdňte vážicí miskou.
- 3 Zavřete kryt proti proudění vzduchu.
- 4 Stisknutím tlačítka  →  ← vynulujte váhu.
 - ➔ Váha je vynulována.



4.5.3 Tárování váhy

Pokud se používá nádoba na vzorky, je nutné provést tárování váhy.

- Váha je vynulována.
- 1 Vložte nádobu na vzorky (1) na vážicí misku (2).
- 2 Pro tárování stiskněte →T←.
- ⇒ Váha je tárována. Zobrazí se ikona .



4.5.4 Vážení

- 1 Otevřete kryt proti proudění vzduchu.
- 2 Umístěte vážený předmět do nádoby na vzorky.
- 3 Zavřete kryt proti proudění vzduchu.
- 4 Vyčkejte, dokud nezmizí indikátor nestability .
- ⇒ Zobrazí se výsledek.
- 5 Volitelné, pokud je připojena tiskárna: Stiskněte  pro vytisknutí výsledku vážení.

4.6 Použití baterií (kompaktní váha)

Váha lze provozovat také na baterie. Za normálních provozních podmínek vydrží váha pracovat bez připojení k el. síti přibližně 8 až 15 hodin (při napájení z alkalických baterií).

Ohledně přerušení napájení ze sítě se váha automaticky přepne na napájení z baterie. K tomu může dojít například při vytažení zástrčky nebo při výpadku proudu. Po obnovení napájení ze sítě se váha automaticky přepne zpět na napájení ze sítě.

Váha je napájena osmi standardními bateriemi typu AA (LR6). Doporučujeme používat alkalické baterie.

Lze použít také dobíjecí baterie. Dobíjet baterie uvnitř váhy **není** možné.

Když je váha napájena z baterií, rozsvítí se na displeji symbol baterie. Počet segmentů zobrazených na symbolu baterie indikuje stav nabití. Když jsou baterie téměř vybité, symbol baterie bliká.

Viz též

 Hlavní vážicí obrazovka ▶ strana 12

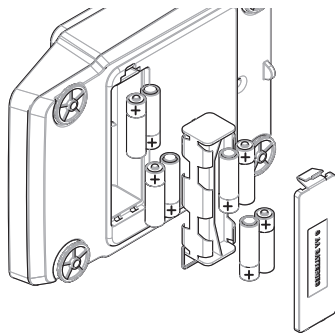
4.6.1 Vložení a výměna baterií

- Přečtěte si a dodržujte všechna upozornění a pokyny od výrobce baterií.
- Nepoužívejte různé typy nebo značky baterií. Výkonnost baterií od různých výrobců se může lišit.
- Nebudete-li váhu delší dobu používat, vyjměte z ní baterie.
- Použité baterie likvidujte v souladu s místními předpisy.

Postupujte následovně:

- Váha je vypnutá.
- Vážicí miska je odstraněna.
- 1 Opatrně otočte váhu na bok.

- 2 Otevřete kryt oddílu pro baterie a odstraňte ho.
- 3 Vložte nebo vyměňte baterie a dbejte přitom na správnou polaritu vyznačenou v oddílu pro baterie.
- 4 Vraťte na místo kryt oddílu pro baterie a zavřete ho.
- 5 Opatrně obraťte váhu do normální polohy.
- 6 Obráceným postupem vraťte zpět všechny komponenty.



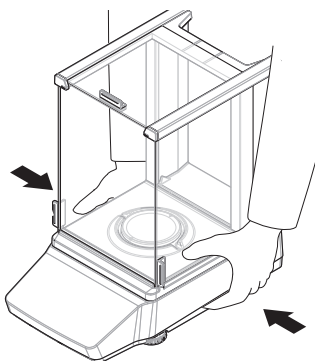
4.7 Přeprava, balení a skladování

4.7.1 Přemisňování váhy na krátkou vzdálenost

- 1 Odpojte síťový adaptér a všechny kabely rozhraní.
- 2 Uchopte váhu oběma rukama a přeneste ji ve vodorovné poloze na místo určení. Věnujte přitom pozornost požadavkům na umístění.

Chcete-li váhu uvést do provozu, postupujte následovně:

- 1 Proveďte připojení v opačném pořadí.
- 2 Poskytněte váze dostatek času na zahřátí.
- 3 Vyrovnajte váhu.
- 4 Proveďte interní justování.



Viz též

- ☞ Výběr umístění ▶ strana 14
- ☞ Zapnutí váhy ▶ strana 19
- ☞ Vyrovnání váhy ▶ strana 19
- ☞ Provedení interního justování ▶ strana 21

4.7.2 Přemisňování váhy na delší vzdálenost

METTLER TOLEDO doporučuje použít původní obal pro přepravu nebo odeslání váhy nebo jejích součástí na delší vzdálenost. Jednotlivé části původního obalu byly vyrobeny specificky pro váhu a její součásti, aby zajistily maximální ochranu během přepravy.

Viz též

- ☞ Vybalení váhy ▶ strana 14

4.7.3 Balení a skladování

Balení váhy

Všechny součásti obalu uschovejte na bezpečné místo. Jednotlivé části původního obalu byly vyrobeny specificky pro váhu a její součásti, aby zajistily maximální ochranu během přepravy a skladování.

Skladování váhy

Váhu skladujte za následujících podmínek:

- V interiéru a v původním obalu

- Podle odpovídajících podmínek prostředí, viz část "Technické údaje".

Poznámka

Je-li váha skladována déle než 6 měsíců, může dojít k vybití nabíjecí baterie (vymaže se nastavené datum a čas).

Viz též

 Technické údaje ▶ strana 30

5 Údržba

Aby byla zaručena funkčnost váhy a přesné výsledky vážení, je uživatel povinen provádět celou řadu úkonů údržby.



Podrobné informace naleznete v referenční příručce (RM).

 www.mt.com/MA-RM

5.1 Úkony údržby

Úkon údržby	Doporučený interval	Poznámky
Provedení interního justování	<ul style="list-style-type: none"> • Každý den • Po čištění • Po vyrovnání • Po přemístění 	viz "Provedení interního justování"
Provádění rutinních testů (test výšřednosti, opakovatelnosti, citlivosti) METTLER TOLEDO doporučuje provádět alespoň test citlivosti.	<ul style="list-style-type: none"> • Po čištění • Po sestavení váhy • Po aktualizaci softwaru • V závislosti na vašich interních předpisech (SOP) 	viz "Testy" v referenční příručce
Čištění	<ul style="list-style-type: none"> • Po každém použití • V závislosti na stupni znečištění • V závislosti na vašich interních předpisech (SOP) 	Viz "Čištění"
Aktualizace softwaru	<ul style="list-style-type: none"> • V závislosti na vašich interních předpisech (SOP). • Po vydání nové verze softwaru. 	viz "Aktualizace softwaru" v referenční příručce

Viz též

 Provedení interního justování ▶ strana 21

 Čištění ▶ strana 25

5.2 Čištění

5.2.1 Demontáž pro čištění

Poznámka

Vzhled součástí se může u jednotlivých modelů lišit.

Poznámka

Ve většině případů není pro čištění váhy nutné sundávat ochranný kryt.

5.2.1.1 Váhy s krytem proti proudění vzduchu



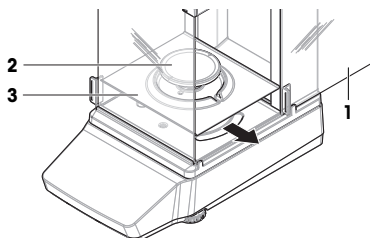
UPOZORNĚNÍ

Zranění způsobené ostrými předměty nebo rozbitým sklem

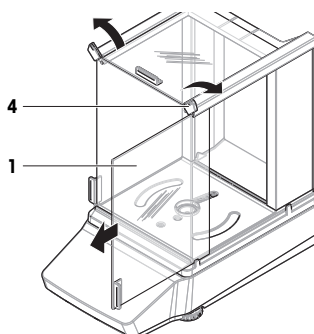
Přístrojové komponenty, např. sklo, se mohou rozbit a způsobit zranění.

- Vždy postupujte opatrně a s náležitou péčí.

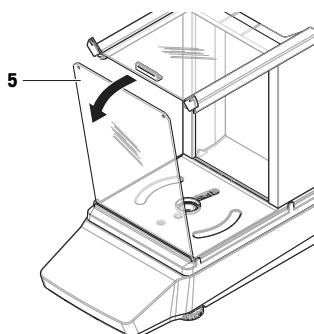
- 1 Otevřete boční dvířka (1).
- 2 Je-li to nutné, vyjměte vážicí misku (2) a odkapávací misku (3).



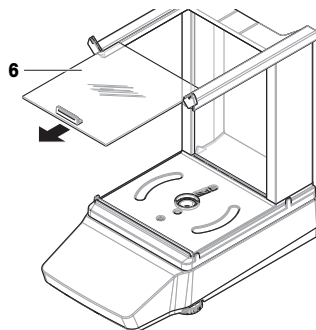
- 3 Otočte Quick Lock (4) a vytáhněte boční dvířka (1) směrem dopředu, abyste je vyjmuli (vpravo, vlevo).



- 4 Nakloňte přední panel (5) dopředu a zvedněte ho nahoru, abyste jej mohli vyjmout.



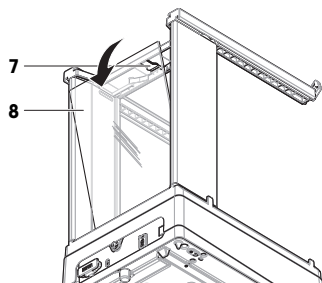
- 5 Horní dvířka (6) vytáhněte směrem dopředu.



- 6 Stiskněte uvolňovací tlačítko (7) a vyklepte zadní panel (8), abyste jej mohli vyjmout.

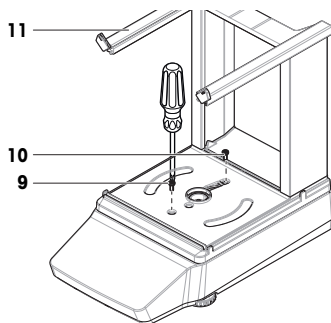
Poznámka

Volitelné, pokud je zapotřebí: Při čištění odstraňte ochranný kryt podle níže uvedeného popisu.

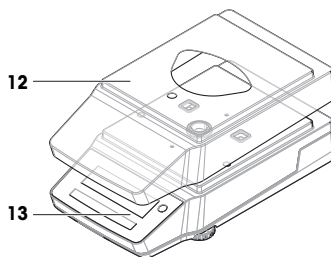


- 7 Vyšroubujte přední šroub (9) a zadní šroub (10) pomocí křížového šroubováku.

- 8 Sejměte kryt proti proudění vzduchu (11).



- 9 Odstraňte ochranný kryt (12) z vážicího můstku (13).

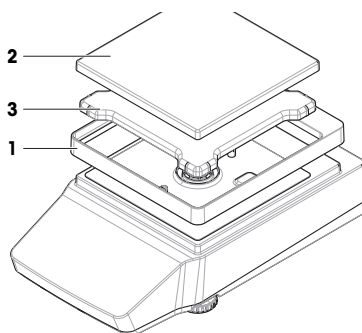


5.2.1.2 Váhy bez krytu proti proudění vzduchu

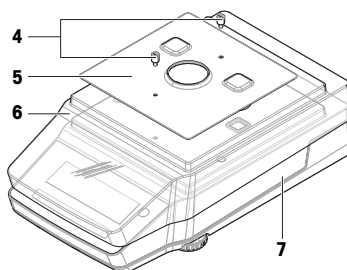
- 1 Sundejte ochranný prvek proti proudění vzduchu (1).
- 2 Odstraňte vážicí misku (2).
- 3 Odstraňte držák vážicí misky (3).

Poznámka

Volitelné, pokud je zapotřebí: Při čištění odstraňte ochranný kryt podle níže uvedeného popisu.

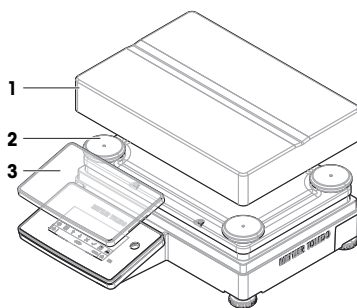


- 4 Odstraňte šrouby (4) a odstraňte desku EMC (5).
- 5 Odstraňte ochranný kryt (6) z vážicího můstku (7).



5.2.1.3 Váhy, velké rozměry

- 1 Odstraňte vážicí misku (1).
- 2 Odstraňte krytky podložky (2).
- 3 Volitelné, pokud je zapotřebí: Odstraňte ochranný kryt (3) pro účely čištění.

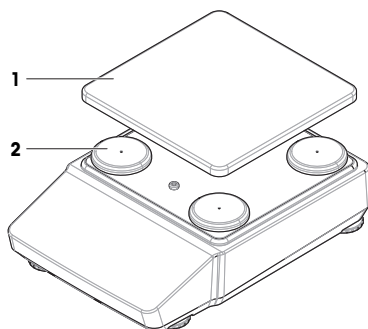


5.2.1.4 Kompaktní váhy

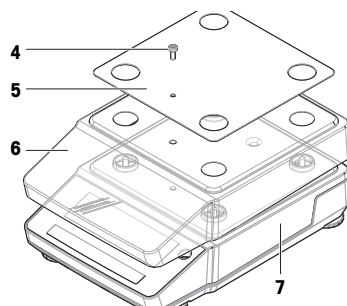
- 1 Odstraňte vážicí misku (1).
- 2 Odstraňte krytky podložky (2).

Poznámka

Volitelné, pokud je zapotřebí: Při čištění odstraňte ochranný kryt podle níže uvedeného popisu.



- 3 Odstraňte šroub (4) a poté odstraňte desku EMC (5).
- 4 Odstraňte ochranný kryt (6) z vážicího můstku (7).



5.2.2 Čištění váhy



OZNÁMENÍ

Poškození přístroje při použití nevhodných čisticích postupů!

Pokud se dostane do krytu kapalina, může přístroj poškodit. Povrch přístroje může být poškozen určitými čisticími prostředky, rozpouštědly nebo abrazivy.

- 1 Nestříkejte ani nenalévejte kapaliny na přístroj.
- 2 Používejte pouze čisticí prostředky specifikované v referenční příručce (RM) k přístroji nebo v průvodci "8 Steps to a Clean Balance".
- 3 K čištění přístroje používejte pouze mírně navlhčený neřepivý hadřík nebo papírovou utěrku.
- 4 Případné rozlité kapaliny ihned oťete.



Další informace o čištění váhy uvádí "8 Steps to a Clean Balance".

www.mt.com/lab-cleaning-guide

Čištění v okolí váhy

- Z bezprostředního okolí váhy odstraňte veškerý prach a nečistoty, abyste zabránili další kontaminaci.

Čištění terminálu

- Terminál čistěte hadříkem nebo papírovou utěrkou a jemným čisticím prostředkem.

Čištění demontovatelných částí

- Demontovatelné součásti čistěte hadříkem nebo papírovou utěrkou a jemným čisticím prostředkem, případně je umyjte v myčce nádobi za použití mycího programu do 80 °C.

Čištění vážící jednotky

- 1 Odpojte váhu od sířového adaptéru.
- 2 K čištění povrchů váhy použijte neřepivý hadřík navlhčený jemným čisticím prostředkem.
- 3 Nejprve z váhy seřete prach a jiné nečistoty jednorázovou papírovou utěrkou.
- 4 K odstranění lepkavých látek použijte neřepivý hadřík navlhčený jemným rozpouštědlem, např. izopropanol nebo 70% ethanol.

5.2.3 Uvedení do provozu po čištění

- 1 Znovu sestavte váhu.
- 2 Zkontrolujte, zda se dvířka krytu proti proudění vzduchu (horní, boční) otevírají a zavírají tak, jak mají (je-li relevantní).
- 3 Opět připojte váhu k sířovému adaptéru.
- 4 Zkontrolujte vyrovnání váhy a v případě potřeby ji vyrovnejte.
- 5 Dodržujte čas zahřívání stanovený v technických specifikacích.
- 6 Proveďte interní justování.
- 7 Proveďte rutinní test v souladu s vašimi interními předpisy. METTLER TOLEDO doporučuje provést test opakovatelnosti po čištění váhy.
- 8 Stisknutím tlačítka **→0←** vynulujte váhu.
 - ➔ Váha je připravena k použití.

Viz též

- 🔗 Vyrovnání váhy ▶ strana 19
- 🔗 Technické údaje ▶ strana 30
- 🔗 Provedení interního justování ▶ strana 21

5.3 Servis

Pravidelný servis prováděný autorizovaným servisním technikem zajistí spolehlivost na dlouhá léta. Podrobnosti o dostupných možnostech služeb získáte vám poskytne váš zástupce METTLER TOLEDO.

6 Technické údaje

6.1 Všeobecné údaje

Napájení

Sířový adaptér:	Vstup: 100–240 V AC \pm 10 %, 50–60 Hz, 0,5 A Výstup: 12 V DC, 1 A, LPS
Spotřeba energie váhy:	12 V DC \pm 10 %, 0,5 A
Polarita:	⊖ ● ⊕

Napájení (volitelné)

Sířový adaptér:	Vstup: 100–240 V AC \pm 10%, 50–60 Hz, 0,8 A, 61–80 VA Výstup: 12 V DC, 2,5, LPS
Kabel pro sířový adaptér:	3žilový, se zástrčkou podle země určení
Spotřeba energie váhy:	12 V DC \pm 10 %, 0,5 A
Polarita:	⊖ ● ⊕

Ochrana a normy

Kategorie přepětí:	II
--------------------	----

Stupeň znečištění: 2
Zadejte bezpečnostní kód: IP43 (pouze přesné váhy)

Poznámka

Uvedené IP je dosaženo pouze tehdy, když je váha připravena k provozu. Musí být nainstalován ochranný kryt a krytky musí zakrývat přípojky rozhraní.

Normy týkající se bezpečnosti a EMC (elektromagnetické kompatibility): Viz Prohlášení o shodě.

Rozsah použití: Používejte pouze ve vnitřních a suchých prostorách

Podmínky prostředí

Mezní hodnoty platí v případě použití váhy za následujících podmínek prostředí:

Nadmořská výška: Až 5 000 m
Okolní teplota: +10 – +30 °C
Změna teploty, max.: 5 °C/h
Relativní vlhkost: 30–70 %, bez kondenzace
Doba aklimatizace: Doporučení: Až **4 hodiny** u přesných vah nebo až **8 hodin** u analytických vah. Tyto hodnoty platí po umístění váhy na stejné místo, kde bude uvedena do provozu.

Poznámka

Doba aklimatizace závisí na odečitelnosti váhy a na okolních podmínkách.

Doba zahřívání na provozní teplotu: Alespoň **30 minut** u přesných vah nebo **60 minut** u analytických vah. Tyto hodnoty platí po připojení váhy ke zdroji napájení. Po zapnutí z pohotovostního režimu je váha připravena k provozu ihned.

Váhu lze používat za následujících podmínek prostředí. Vážicí výkon váhy se však může pohybovat mimo rozsah mezních hodnot:

Okolní teplota: +5 °C – +40 °C
Relativní vlhkost: 20 až max. 80 % při 31 °C, snižuje se lineárně na 50 % při 40 °C, bez kondenzace

Váhu lze odpojit a uložit v obalu, ve kterém byla dodána, za následujících podmínek:

Okolní teplota: -25 – +70 °C
Relativní vlhkost: 10–90 %, bez kondenzace

7 Likvidace

Podle evropské směrnice 2012/19/EU o elektrickém a elektronickém odpadu (WEEE - Waste Electrical and Electronic Equipment) nesmí být tento přístroj likvidován jako domácí odpad. Toto pravidlo se na základě místních předpisů uplatňuje také v zemích, které nejsou členskými státy EU.

Toto zařízení prosím likvidujte v souladu s platnými místními předpisy v zařízeních pro odběr elektrických a elektronických zařízení. V případě dotazů se prosím obraťte na příslušný úřad nebo na distributora, od kterého jste si toto zařízení pořídili. Pokud by toto zařízení bylo postoupeno jiným osobám, je třeba je též informovat o obsahu tohoto pokynu.



8 Informace o shodě

Národní schvalovací dokumenty, jako např. prohlášení o shodě s předpisy FCC, jsou dostupné on-line anebo jsou součástí balení.

► www.mt.com/ComplianceSearch



Podrobné informace naleznete v referenční příručce (RM).

► www.mt.com/MA-RM

Indholdsfortegnelse

1	Introduktion	3
1.1	Formål med dokumentet	3
1.2	Yderligere dokumenter og oplysninger	3
1.3	Akronymer og forkortelser.....	3
2	Sikkerhedsoplysninger	4
2.1	Indikation af ord og advarselssymboler	4
2.2	Produktspecifikke sikkerhedsbemærkninger.....	4
3	Design og funktion	5
3.1	Oversigt over analysevægte.....	6
3.2	Oversigt over præcisionsvægte, små.....	6
3.3	Oversigt over præcisionsvægte, store	7
3.4	Oversigt over præcisionsvægte, kompakte	7
3.5	Oversigt over terminal.....	8
3.6	Oversigt over interfacetilslutninger	8
3.7	Komponentbeskrivelse.....	9
3.7.1	Hus.....	9
3.7.2	Vejplade.....	9
3.7.3	Drypbakke	9
3.7.4	Dørhåndtag.....	9
3.7.5	Nivelleringsfod	10
3.7.6	Terminal	10
3.7.7	QuickLock til døre og frontpanel	10
3.7.8	Udløserknap til bagpanel	10
3.8	Brugerinterface.....	11
3.8.1	Oversigt over de vigtigste afsnit	11
3.8.2	Hovedskærbillede til vejning.....	12
4	Installation og klargøring	14
4.1	Valg af placering.....	14
4.2	Udpakning af vægten	14
4.3	Installation	15
4.3.1	Vægte med trækafskærmning	15
4.3.2	Vægte uden trækafskærmning.....	17
4.3.3	Store vægte.....	18
4.3.4	Vægte, kompakte.....	18
4.4	Ibrugtagning	18
4.4.1	Tilslutning af vægten.....	18
4.4.2	Opstart af vægten	19
4.4.3	Nivellering af vægten	19
4.4.3.1	Nivellering af store vægte	19
4.4.3.2	Nivellering af kompakte vægte	20
4.4.3.3	Nivellering af alle andre vægte	21
4.4.4	Udførelse af en intern justering	21
4.4.5	Aktivering/deaktivering af standbytilstand.....	21
4.4.6	Tilgå/forlad dvaletilstand.....	21
4.4.7	Stukning af vægten	22
4.5	Udførelse af en enkel vejning	22
4.5.1	Åbning og lukning af husts døre	22
4.5.2	Nulstilling af vægten	22
4.5.3	Tarering af vægten.....	22
4.5.4	Udførelse af en vejning	23

4.6	Brug af batterier (kompakt vægt)	23
4.6.1	Isætning eller udskifning af batterier	23
4.7	Transport, emballage og opbevaring	24
4.7.1	Transport af vægten over korte afstande	24
4.7.2	Transport af vægten over lange afstande	24
4.7.3	Emballage og opbevaring	24
5	Vedligeholdelse	25
5.1	Vedligeholdelsesopgaver	25
5.2	Rengøring	25
5.2.1	Afmontage med henblik på rengøring	25
5.2.1.1	Vægte med trækafskærmning	25
5.2.1.2	Vægte uden trækafskærmning	27
5.2.1.3	Store vægte	28
5.2.1.4	Vægte, kompakte	28
5.2.2	Rengøring af vægten	29
5.2.3	Idriftsættelse efter rengøring	29
5.3	Service	30
6	Tekniske data	30
6.1	Generelle data	30
7	Bortskaffelse	31
8	Oplysninger om overensstemmelse	31

1 Introduktion

Tillykke med din nye vægt fra METTLER TOLEDO. Vægten kombinerer høj ydeevne med brugervenlighed.

EULA

Softwaren i dette produkt er givet i licens i henhold til METTLER TOLEDO Slutbrugerlicensaftalen (EULA) for softwaren.

Når du bruger dette produkt, accepterer du betingelserne i EULA'en.

► www.mt.com/EULA

1.1 Formål med dokumentet

Denne brugervejledning indeholder korte instruktioner om de første trin, der skal foretages med instrumentet. Det giver en sikker og effektiv håndtering. Medarbejderne skal have læst og forstået denne manual omhyggeligt, før der udføres nogen form for opgaver.

1.2 Yderligere dokumenter og oplysninger

Dette dokument er tilgængeligt på andre sprog online.



► www.mt.com/MA-UM

Produktside:

► www.mt.com/MA-balances

Instruktioner til rengøring af en vægt: "8 Steps to a Clean Balance":

► www.mt.com/lab-cleaning-guide

Søg efter software:

► www.mt.com/labweighing-software-download

Søg efter dokumenter:

► www.mt.com/library

Kontakt din autoriserede METTLER TOLEDO-forhandler eller -servicerepræsentant, hvis du har spørgsmål.

► www.mt.com/contact

1.3 Akronymmer og forkortelser

Originalt udtryk	Oversat udtryk	Forklaring
AC		Alternating Current
ASTM		American Society for Testing and Materials
DC		Direct Current
EMC		Electromagnetic Compatibility
FCC		Federal Communications Commission
GWP		Good Weighing Practice
HID		Human Interaction Device
ID		Identification
IP		Ingress Protection
LAN		Local Area Network
LED		Light-Emitting Diode
LPS		Limited Power Source

MAC	Media Access Control
MT-SICS	METTLER TOLEDO Standard Interface Command Set
NA	Not Applicable
OIML	Organisation Internationale de Métrologie Légale (International Organization of Legal Metrology)
RAM	Random Access Memory
RM	Reference Manual
SOP	Standard Operating Procedure
UM	User Manual (Brugervejledning)
USB	Universal Serial Bus
USP	United States Pharmacopeia

2 Sikkerhedsoplysninger

Der findes to dokumenter, "Brugervejledning" og "Referencemanual", til dette instrument.

- Brugervejledningen er tilgængelig online på forskellige sprog.
- Der følger en trykt version af brugervejledningen med instrumentet.
- Referencemanualen er tilgængelig online. Denne manual indeholder en samlet beskrivelse af instrumentet og brugen af det.
- Gem begge dokumenter til fremtidig brug.
- Overdrag begge dokumenter, hvis du giver instrumentet videre til andre.

Brug kun instrumentet i overensstemmelse med brugervejledningen og referencemanualen. Hvis du ikke bruger instrumentet i overensstemmelse med disse dokumenter, eller hvis instrumentet ændres, kan instrumentets sikkerhed forringes, og Mettler-Toledo GmbH påtager sig intet ansvar.

2.1 Indikation af ord og advarselssymboler

Sikkerhedsbemærkninger indeholder vigtige oplysninger om sikkerhedsproblemer. Der kan opstå personskade, beskadigelse på instrumentet, driftsforstyrrelser og forkerte resultater, hvis sikkerhedsbemærkningerne ignoreres. Sikkerhedsbemærkninger er markeret med følgende symbolbeskrivelser og advarselssymboler:

Signalord

FARE	En farlig situation med høj risiko, der resulterer i dødsfald eller alvorlige skader, hvis den ikke undgås.
ADVARSEL	En farlig situation med risiko på mellemniveau, der sandsynligvis vil resultere i dødsfald eller alvorlige skader, hvis den ikke undgås.
FORSIGTIG	En farlig situation med lav risiko, der kan resultere i små eller moderate skader, hvis den ikke undgås.
BEMÆRK	En farlig situation med lav risiko, der kan resultere i beskadigelse af instrumentet, andre skader på udstyr eller ejendom, fejlfunktion og forkerte resultater eller tab af data.

Advarselssymboler



Generelle farer



Bemærk

2.2 Produktspecifikke sikkerhedsbemærkninger

Tilslået brug

Dette instrument er beregnet til at blive anvendt af uddannet personale. Apparatet er beregnet til vejning.

Enhver anden anvendelse og funktion, der foretages ud over de grænser for brug, der er angivet af Mettler-Toledo GmbH, foretaget uden skriftlig tilladelse fra Mettler-Toledo GmbH, betragtes som utilsigtet anvendelse.

Instrumentejerens ansvarsområder

Instrumentejerer er den person, der har den juridiske ret til instrumentet, og som bruger instrumentet eller giver en anden person tilladelse til at bruge det, eller den person, der i henhold til lovgivningen anses for at være instrumentets operatør. Instrumentejerer er ansvarlig for sikkerheden for alle brugere af instrumentet og tredjeparter.

Mettler-Toledo GmbH antager, at instrumentejerer uddanner brugere i sikker brug af instrumentet på deres arbejdsplads og håndtering af potentielle farer. Mettler-Toledo GmbH antager, at instrumentejerer stiller det nødvendige beskyttelsesudstyr til rådighed.

Sikkerhedsbemærkninger



⚠ ADVARSEL

Dødsfald eller alvorlig tilskadekomst på grund af elektrisk stød

Kontakt med strømførende dele kan resultere i dødsfald eller personskade.

- 1 Brug kun METTLER TOLEDO-strømforsyningskablet og den AC/DC-adapter, der er beregnet til dit instrument.
- 2 Tilslut strømkablet til en stikkontakt med jordforbindelse.
- 3 Hold alle elektriske ledninger og tilslutninger på afstand af væske og fugt.
- 4 Kontrollér kablerne og stikket for skader, og udskift dem, hvis de er beskadigede.



BEMÆRK

Beskadigelse af instrumentet eller fejl på grund af anvendelse af uegnede dele

- Anvend kun dele fra METTLER TOLEDO, som er beregnet til at blive anvendt sammen med dit instrument.

Der findes en liste over reservedele og tilbehør i referencemanualen.

3 Design og funktion

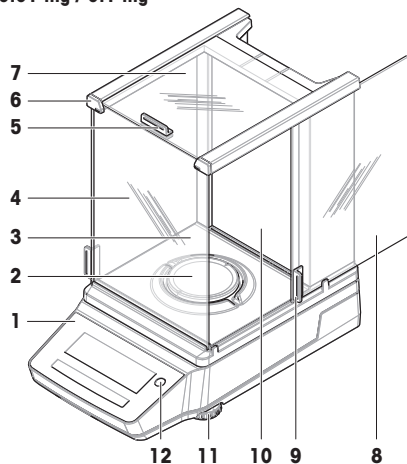


Hvis der er behov for yderligere oplysninger, henvises der til referencemanualen (RM).

► www.mt.com/MA-RM

3.1 Oversigt over analysevægte

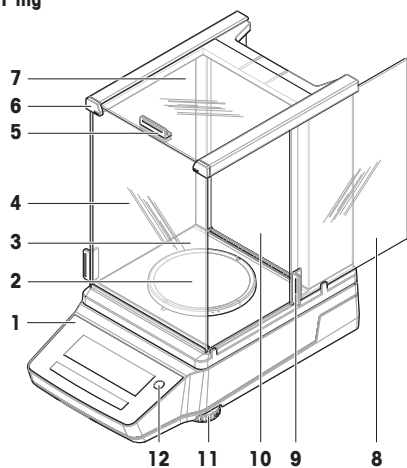
0.01 mg / 0.1 mg



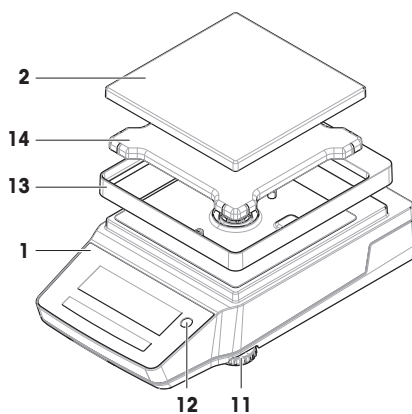
1	Terminal	7	Øverste dør, huset
2	Vejeplade	8	Sidedør, huset (højre/venstre)
3	Drypbakke	9	Håndtag, sidedør
4	Frontpanel, huset	10	Bagpanel, huset
5	Håndtag, øverste dør	11	Nivelleringsfod
6	QuickLock, frontpanel	12	Vaterindikator

3.2 Oversigt over præcisionsvægte, små

1 mg



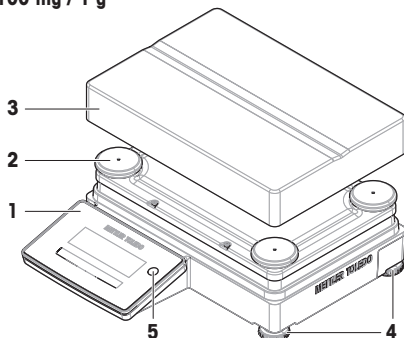
10 mg / 100 mg



1	Terminal	8	Sidedør, huset (højre/venstre)
2	Vejeplade	9	Håndtag, sidedør
3	Drypbakke	10	Bagpanel, huset
4	Frontpanel, huset	11	Nivelleringsfod
5	Håndtag, øverste dør	12	Vaterindikator
6	QuickLock, frontpanel	13	Huset
7	Øverste dør, huset	14	Vejepladestøtte

3.3 Oversigt over præcisionsvægte, store

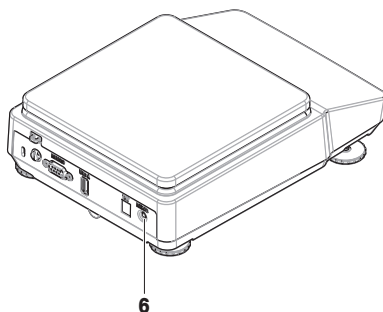
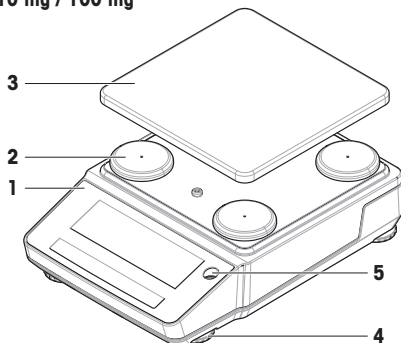
100 mg / 1 g



1	Terminal	4	Nivelleringsfod
2	Hætte til vejepladestøtte	5	Vaterindikator
3	Vejeplade		

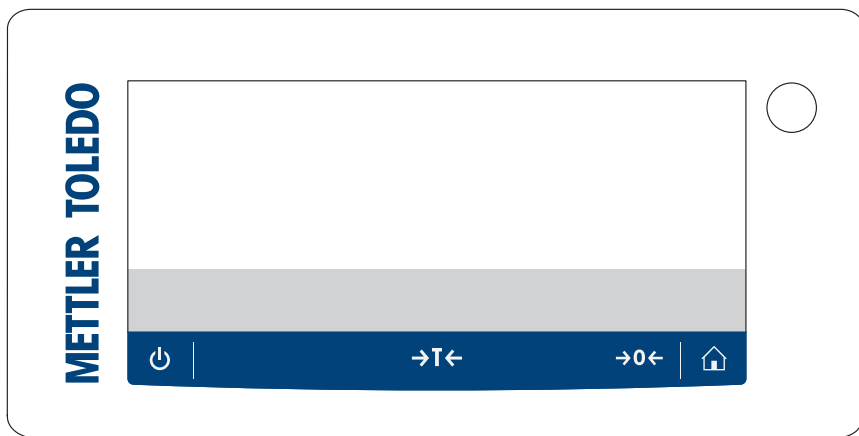
3.4 Oversigt over præcisionsvægte, kompakte





10 mg / 100 mg



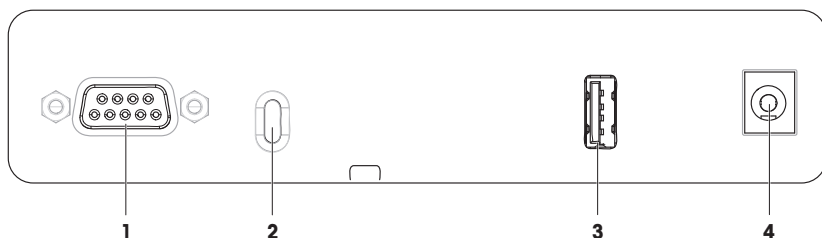
1	Terminal	4	Nivelleringsfod
2	Hætte til vejepladestøtte	5	Vaterindikator
3	Vejeplade	6	Opvågningskontakt (batteritilstand)

3.5 Oversigt over terminal



Navn	Beskrivelse
 Standby	Når du trykker på  , slukkes vægten ikke helt, men den går i standbytilstand. Hvis du vil slukke vægten helt, skal du koble den fra strømforsyningen. Bemærk Undlad at koble vægten fra strømforsyningen, medmindre den ikke skal bruges i en længere periode. Når instrumentet er blevet tændt, skal det varme op, inden det kan give nøjagtige resultater. Bemærk Kun kompakte vægte i batteritilstand: Når du trykker på  , slukkes vægten helt. Der er ingen standbytilstand.
→T← Taring	Tarerer vægten. Denne funktion anvendes, når der bruges beholdere til vejeprocessen. Efter taring af vægten vises teksten Net på skærmen for at angive, at de viste vejeværdier er netto.
→0← Nulstilling	Nulstiller vægten. Vægten skal altid nulstilles, før vejeprocessen startes. Efter nulstilling sætter vægten et nyt nulpunkt.
 Start	For at vende tilbage fra hvilket som helst indstillingsmenuniveau til det primære vejeskærmbillede for det aktuelt indstillede eller sidst anvendte program.

3.6 Oversigt over interfacetilslutninger

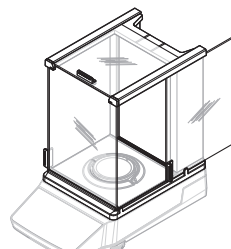


1	RS232C seriel interface	3	USB-A-port
2	Port til tyverisikringskabel	4	Stik til AC/DC-adapter

3.7 Komponentbeskrivelse

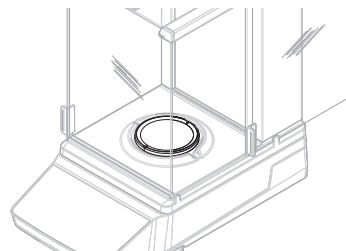
3.7.1 Hus

Huset beskytter vejeområdet mod miljømæssige påvirkninger som træk og fugt. Sidedørene og den øverste dør kan åbnes manuelt.



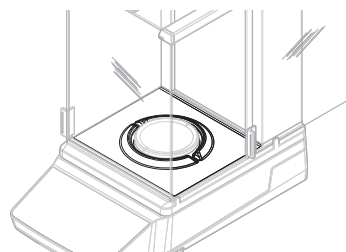
3.7.2 Vejeplade

Vejepladen er den belastningsmodtager, der bruges til at rumme vejeemnet.



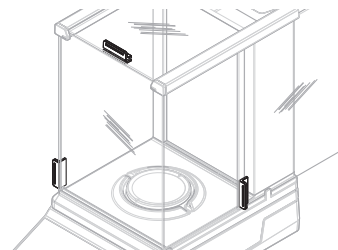
3.7.3 Drypbakke

Drypbakken er anbragt under vejepladen. Det primære formål med drypbakken er at sikre hurtig rengøring af vægten.



3.7.4 Dørhåndtag

Dørhåndtagene er monteret på husets døre. Håndtagene bruges til manuelt at åbne sidedørene og den øverste dør i huset.

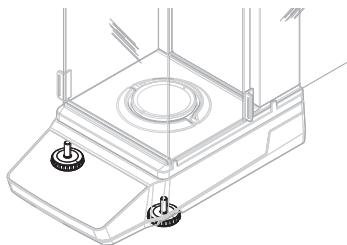


3.7.5 Nivelleringsfod

Vægten står på højdejusterbare fødder. Disse fødder bruges til at nivellere vægten.

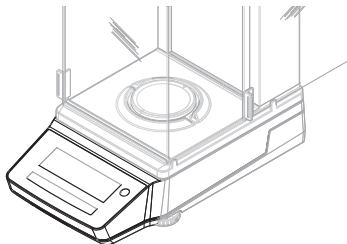
Bemærk

Store vægte og kompakte vægte har fire nivelleringsfødder.



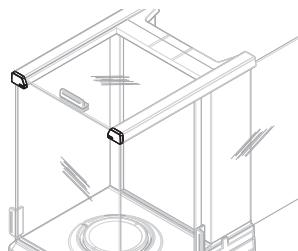
3.7.6 Terminal

Terminalen er indbygget i vægten og har en LCD-skærm. Terminalen og vejeplatformen er beskyttet af en udskiftelig af-dækning.



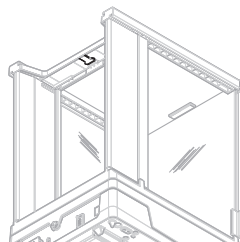
3.7.7 QuickLock til døre og frontpanel

Afhængigt af positionen bruges QuickLock til at låse den øverste dør, sidedørene og husets frontpanel eller til at låse dem op.



3.7.8 Udløserknop til bagpanel

Udløserknappen bruges til at låse husets bagpanel eller til at låse det op.



3.8 Brugerinterface

3.8.1 Oversigt over de vigtigste afsnit

Det primære vejeskærm billede (1) viser vejeresultater og giver feedback om vægtens status. Beføjningstasterne (2) er det overordnede navigationselement, hvor alle menuer og indstillinger kan tilgås og vælges.



	Navn	Beskrivelse
1	Hovedskærm billede til vejning	Viser vejeresultaterne og giver oplysninger om vægtens status.
2	Funktionstaster	Giver adgang til vægtmenuer og funktioner.

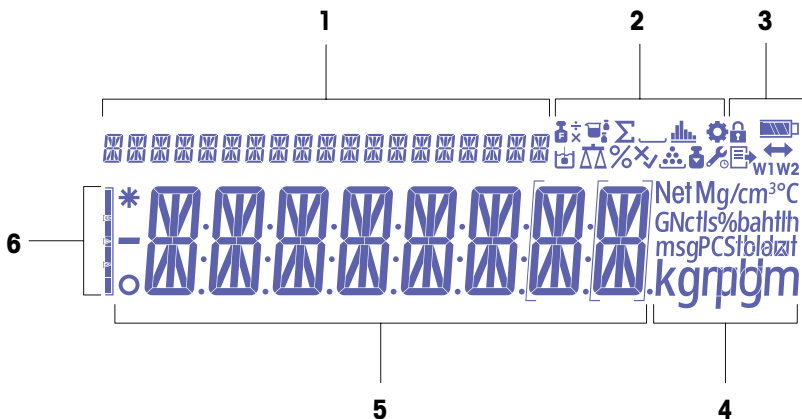
Funktionstaster

	Navn	Beskrivelse
	Indstillinger	Åbner indstillingsmenuen.
	Anvendelsesområder	Åbner applikationsmenuen.
	Forrige / Op / Forøg	<ul style="list-style-type: none">• Ruller op i en liste over emner.• Skifter mellem enhed 1, enhed 2 og applikationsenheden (hvis tilgængelig).• Øger tal.• Tilføjer en registreret vægt i en applikation.
	Næste / Ned / Reducer	<ul style="list-style-type: none">• Ruller ned i en liste over emner.• Skifter mellem enhed 1, enhed 2 og applikationsenheden (hvis tilgængelig).• Reducerer tal.
	Annuller	Annullerer en opgave eller forlader menuen uden at gemme.
	Acceptér	<ul style="list-style-type: none">• Åbner den valgte menu.• Starter den valgte applikation.• Bekræfter indtastningen.
	Justering	Udfører den foruddefinerede justeringsprocedure.
	Udskriv/overfør	<ul style="list-style-type: none">• Udskriver skærmværdien.• Udskriver indstillingerne for den aktive brugermenu.• Overfører data til den foruddefinerede målplacering.

Se også

Hovedskærm billede til vejning ▶ side 12




3.8.2 Hovedskærm billede til vejning















1	Vejledningstekst	4	Enhedsikoner
2	Applikationsikoner	5	Vægtværdi/menumærkat/parametermærkat/ parameter værdi
3	Statusikoner	6	Vejningshjælp

Applikationsikoner

	Navn	Beskrivelse
	Applikationen "Divideringsfaktorvejning"	Applikationen "Divideringsfaktorvejning" dividerer en foruddefineret faktor med vægtværdien (i gram): resultat = faktor / vægt Resultatet afrundes til et foruddefineret antal decimaler.
	Applikationen "Multiplikationsfaktorvejning"	Applikationen "Multiplikationsfaktorvejning" multiplicerer vægtværdien (i gram) med en foruddefineret faktor: resultat = faktor × vægt Resultatet afrundes til et foruddefineret antal decimaler.
	Applikationen "Formulering"	Applikationen "Formulering" (Nettototal) har flere formål. <ul style="list-style-type: none"> Vej (tilføj og gem) op til 999 individuelle komponentvægte, og vis det samlede antal. Hvis der er tilsluttet en printer, udskrives komponentvægtene enkeltvist og samlet. Tara/prætara, og gem op til 999 beholdervægte, og vis det samlede antal. Hvis der er tilsluttet en printer, udskrives taravægtene enkeltvist og samlet. Fyld summen af alle komponentnettovægtværdier op ved at lægge en yderligere komponent til en højere værdi.
	Applikationen "Samentælling"	Applikationen "Samentælling" giver dig mulighed for at veje forskellige prøver for at tilføje deres vægtværdier og summere dem. 1 til 999 prøver er mulige.
	Applikationen "Statistik"	Applikationen "Statistik" giver dig mulighed for at generere statistik over en række vægtværdier. Der er mulighed for 1 til 999 værdier.
	Applikationen "Dynamisk vejning"	Applikationen "Dynamisk vejning" giver dig mulighed for at bestemme vægtene af ustabile prøver eller bestemme vægte under ustabile omgivende forhold. Vægten udregner vægten som gennemsnittet af et antal vejninger over et defineret tidsrum.
	Applikation Density	Applikationen Density gør det muligt at bestemme massefylden af faste stoffer og væsker. Massefylden bestemmes ved hjælp af "Archimedes' princip", hvor et legeme, der er nedsænket i en væske, gennemgår et tilsyneladende vægttab, der svarer til vægten af den væske, det fortrænger.

	Navn	Beskrivelse
	Applikation Weighing	Applikationen Weighing bruges til enkle vejeopgaver eller til at udføre en måleserie.
	Applikation Check weighing	Applikationen Check weighing giver dig mulighed for at kontrollere afvigelsen af en prøvevægt inden for en tolerancegrænse i forhold til en målvægt.
	Applikation Counting	Applikationen Counting gør det muligt at fastslå antallet af emner, der er anbragt på vejeladen.

Statusikoner

	Navn	Beskrivelse
	Menuindstillinger aktiveret	Menuindstillingerne er aktiveret og kan tilpasses.
	Menuindstillinger blokeret	Menuindstillingerne er låst og kan ikke tilpasses.
	Intern justering startet	Den interne justering af vægten er startet.
	Servicepåmindelse	Det er tid til næste serviceeftersyn.
	Udgivelse	Data udgives.
	Status for batteriopladning	Kun kompakte vægte: Angiver batteriniveaueet. <ul style="list-style-type: none"> • : Batteri fuldt • : Batteri 3/4 fuldt • : Batteri 1/2 fuldt • : Batteri 1/4 fuldt • : Batteri afladet
	Tilslutningsmuligheder	Dataforbindelse til en anden enhed.
W1	Vejeområde 1	Vejeområde 1 er aktivt.
W2	Vejeområde 2	Vejeområde 2 er aktivt.
Net	Nettovægtværdier	"Net" angiver, at alle viste vægtværdier er nettoværdier.
G	Bruttovægtværdier	Bruttovægtværdier vises.
M	Gemt værdi (hukommelse)	Der vises en gemt værdi fra hukommelsen i vægten.

Etiketikoner

	Navn	Beskrivelse
*	Beregnet værdi	Angiver, at den viste værdi beregnes.
o	Ustabil værdi	Angiver, at den viste værdi er ustabil, hvilket betyder, at den ændrer sig over tid.
{ }	Ikke-certificerede cifre	Parenteser angiver ikke-certificerede cifre (kun godkendte vægtmodeller).

4 Installation og klargøring

4.1 Valg af placering

En vægt er et følsomt præcisionsinstrument. Det sted, hvor den placeres, har afgørende betydning for vejeresultaternes nøjagtighed.

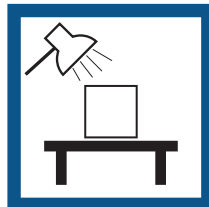
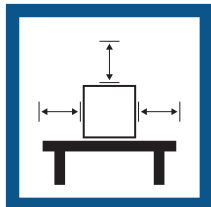
Krav til placering

Placer indendørs på et stabilt bord

Sørg for tilstrækkelig afstand

Niveller instrumentet

Sørg for passende belysning

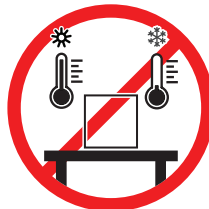
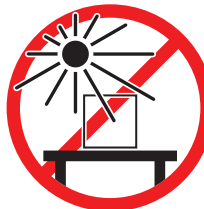


Undgå direkte sollys

Undgå vibrationer

Undgå kraftigt træk

Undgå temperaturskift



Tag de miljømæssige forhold i betragtning. Se "Tekniske data".

Tilstrækkelig afstand for vægte: > 15 cm hele vejen rundt om instrumentet

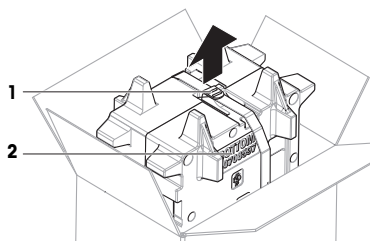
4.2 Udpakning af vægten

Kontrollér pakken, emballagens enkelte elementer samt de leverede komponenter for skader. Hvis der findes skader på komponenterne, kontaktes METTLER TOLEDO-servicerepræsentanten.

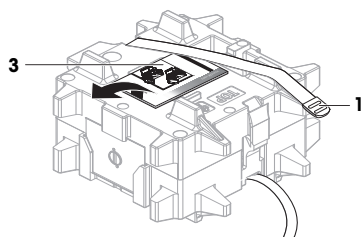
Bemærk

Emballagens elementer og komponenterne kan se anderledes ud afhængigt af vægtmodellen.

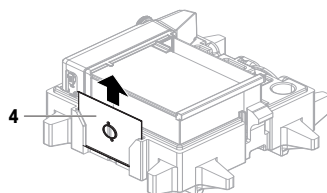
- 1 Åbn kassen, og løft pakken ud ved hjælp af løffestroppen (1).
- 2 Anbring kassen på en plan overflade med inskriptionen BOTTOM (2) nedad.



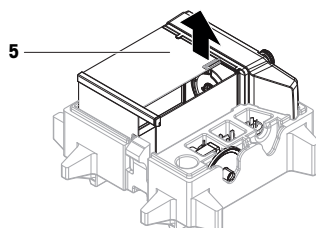
- 3 Åbn løftestroppen (1), og tag brugervejledningen (3) ud.



- 4 Fjern den øverste del af kassen, og udpak forsigtigt drypbakken (4).



- 5 Pak forsigtigt vægten (5) og alle andre dele ud.
6 Fjern beskyttelsesposen.
7 Sørg for, at beskyttelsesafdækningen stadig er monteret på vejeplatformen og terminalen.
8 Opbevar alle emballagedele et sikkert sted til fremtidig brug.
⇒ Vægten er klar til installation.



4.3 Installation

Bemærk

Komponenterne kan se anderledes ud afhængigt af vægtmodellen.

4.3.1 Vægte med trækafskærmning



FORSIGTIG

Personskade på grund af skarpe genstande eller knust glas

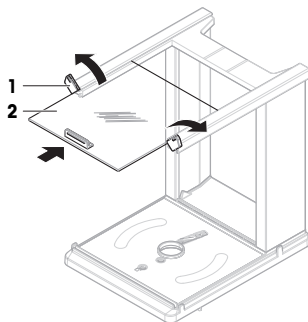
Instrumentkomponenter, f.eks. glas, kan gå i stykker og medføre personskader.

- Vær altid fokuseret og omhyggelig under proceduren.

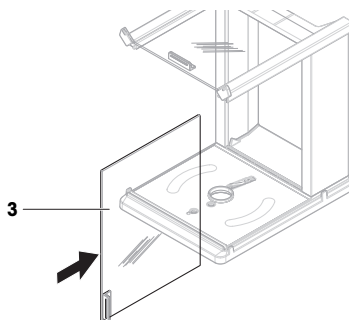
Bemærk

Spring trin 1–5 over, når du pakker vægten ud første gang, eller hvis trækafskærmningen allerede er samlet og monteret på vejeplatformen.

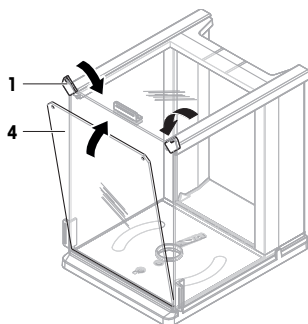
- 1 Monter huset: Drej QuickLock (1, højre, venstre), og skub den øverste dør ind (2).



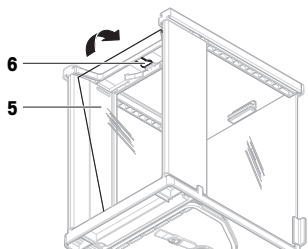
- 2 Skub sidedøren ind (3) (højre, venstre).



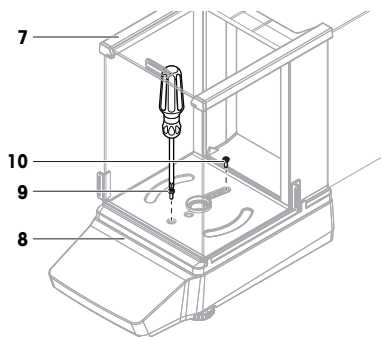
- 3 Fastgør frontpanelet (4), og drej derefter QuickLock (1, højre, venstre) for at holde panelet på plads.



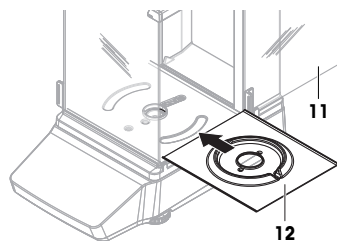
- 4 Monter bagpanelet (5). Sørg for, at udløserknappen (6) klikker på plads.



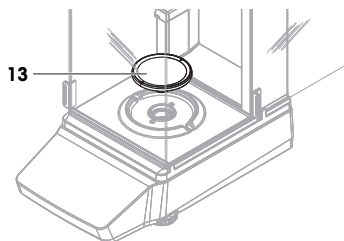
- 5 Fastgør trækafskærmningen (7) til vejep Plattformen (8) ved at fastgøre den forreste skrue (9) og den bageste skrue (10) med en stjerneskruetrækker.



- 6 Åbn sidedørene helt (11).
- 7 Indsæt drypbakken (12).

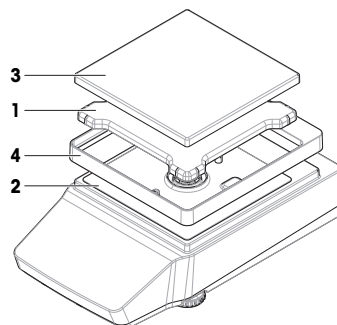


- 8 Monter vejpladen (13).
➔ Vægten er klar til brug.



4.3.2 Vægte uden trækafskærmning

- 1 Placer vejpladen (1) oven på vejep Plattformen (2).
Bemærk
For at beskytte vægten skal beskyttelsesafdækningen være monteret på vejep Plattformen (2).
- 2 Placer vejpladen (3) oven på vejep ladesøjten (1).
- 3 Anbring beskyttelsesafdækningen (4) oven på vejep Plattformen (2).
➔ Vægten er klar til brug.



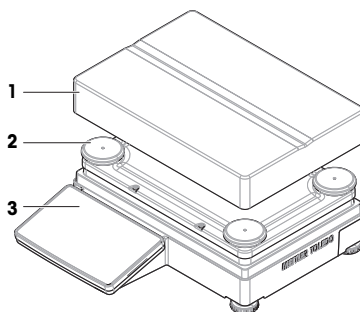
4.3.3 Store vægte

- Placer vejepladen (1) oven på støttehæfterne (2).

Bemærk

For at beskytte vægten skal beskyttelsesafdækningen stadig være monteret på terminalen (3).

- ➔ Vægten er klar til brug.



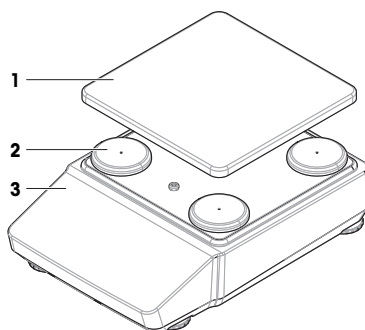
4.3.4 Vægte, kompakte

- Placer vejepladen (1) oven på støttehæfterne (2).

Bemærk

For at beskytte vægten skal beskyttelsesafdækningen være monteret på vejepattformen (3).

- ➔ Vægten er klar til brug.



4.4 Ibrugtagning

4.4.1 Tilslutning af vægten



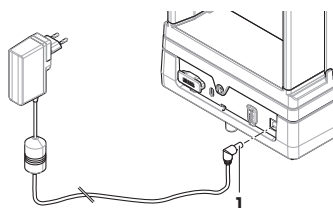
ADVARSEL

Dødsfald eller alvorlig tilskadekomst på grund af elektrisk stød

Kontakt med strømførende dele kan resultere i dødsfald eller personskade.

- 1 Brug kun METTLER TOLEDO-strømforsyningskablet og den AC/DC-adapter, der er beregnet til dit instrument.
- 2 Tilslut strømkablet til en stikkontakt med jordforbindelse.
- 3 Hold alle elektriske ledninger og tilslutninger på afstand af væske og fugt.
- 4 Kontrollér kablerne og stikket for skader, og udskift dem, hvis de er beskadigede.

- 1 Installer kablerne på en sådan måde, at de ikke kan beskadiges eller forstyrre driften.
- 2 Sæt stikket fra AC/DC-adapteren (1) i instrumentets strømindtag.
- 3 Sæt stikket på strømkablet i en jordforbundet stikkontakt, der er let tilgængelig.
 - ➔ Vægten tændes automatisk.



[i] Bemærk

Tilslut ikke instrumentet til en stikkontakt, der styres med en kontakt. Når instrumentet er blevet tændt, skal det varme op, inden det kan give nøjagtige resultater.

Se også

🔗 Generelle data ▶ side 30

4.4.2 Opstart af vægten

Når vægten er tilsluttet strømforsyningen, tændes den automatisk.

Akklimatisering og opvarmning

Før vægten kan afgive pålidelige resultater, skal den:

- akklimatiseres til rumtemperaturen
- varme op ved at være tilsluttet strømforsyningen

Akklimatiseringstiden og opvarmningstiden for vægte findes i "Generelle data".

[i] Bemærk

Når vægten går ud af standbytilstand, er den klar til anvendelse med det samme.

Se også

🔗 Generelle data ▶ side 30

🔗 Aktivering/deaktivering af standbytilstand ▶ side 21

🔗 Tilgå/forlad dvaletilstand ▶ side 21

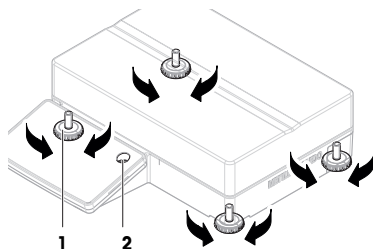
🔗 Slukning af vægten ▶ side 22

4.4.3 Nivellering af vægten

Forudsætningerne for repeterbare og nøjagtige vejeresultater er en præcis, vandret og stabil placering.

4.4.3.1 Nivellering af store vægte

- 1 Skru alle nivelleringsfødder helt ind.
- 2 Skru alle nivelleringsfødder ud to til tre omgange bortset fra den bageste, venstre nivelleringsfod.
- 3 Drej nivelleringsfødderne (1), indtil luftboblen befinder sig i midten af vaterindikatoren (2). Gå videre som vist i følgende eksempel.
- 4 Skru den bageste, venstre nivelleringsfod ud, indtil den kommer i kontakt med bordets overflade.
 - ➔ Vægten nivelleres og understøttes af alle fire nivelleringsfødder.

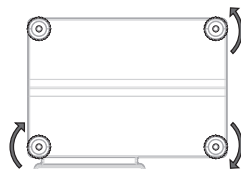


Eksempel

Luftboble ved "kl. 12":



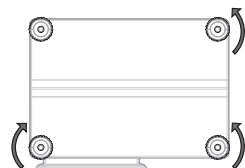
Drej de to forreste fødder med uret.
Drej den bageste, højre fod mod uret.



Luftboble ved "kl.
3":



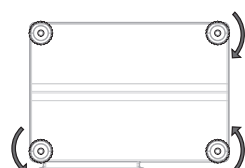
Drej den forreste, venstre fod med uret, og
drej den forreste, højre fod mod uret.
Drej den bageste, højre fod mod uret.



Luftboble ved "kl.
6":



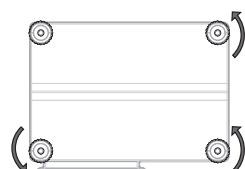
Drej de to forreste fødder mod uret.
Drej den bageste, højre fod med uret.



Luftboble ved "kl.
9":

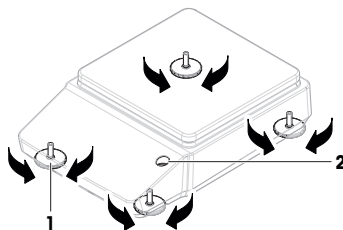


Drej de to forreste fødder mod uret.
Drej den bageste, højre fod mod uret.



4.4.3.2 Nivellering af kompakte vægte

- 1 Skru begge bageste nivelleringsfødder helt i.
- 2 Skru de to forreste nivelleringsfødder to til tre omgange ud.
- 3 Drej den forreste nivelleringsfod (1), indtil luftboblen befinder sig i midten af vaterindikatoren (2). Gå videre som vist i følgende eksempel.
- 4 Skru de to bageste nivelleringsfødder ud, indtil de får kontakt med bordets overflade.
 - ➔ Vægten nivelleres og understøttes af alle fire nivelleringsfødder.



Eksempel

Luftboble ved "kl.
12":



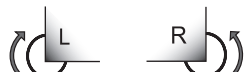
Drej begge fødder med uret.



Luftboble ved "kl.
3":



Drej venstre fod med uret, drej højre fod
mod uret.



Luftboble ved "kl.
6":



Drej begge fødder mod uret.



Luftboble ved "kl.
9":

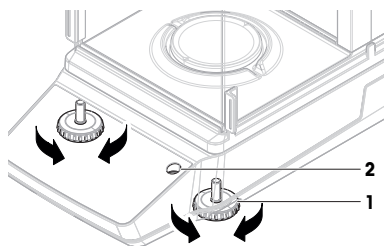


Drej venstre fod mod uret, drej højre fod
med uret.



4.4.3.3 Nivellering af alle andre vægte

- Drej nivelleringsfødderne (1), indtil luftboblen befinder sig i midten af vaterindikatoren (2).



Eksempel

Luftboble ved "kl.
12":



Drej begge fødder med uret.

Luftboble ved "kl.
3":



Drej venstre fod med uret, drej højre fod mod uret.

Luftboble ved "kl.
6":

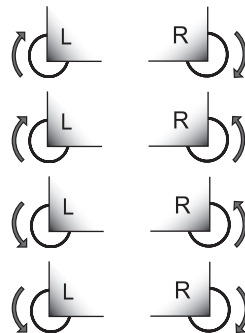


Drej begge fødder mod uret.




Luftboble ved "kl.
9":





Drej venstre fod mod uret, drej højre fod med uret.



4.4.4 Udførelse af en intern justering

- 1 Tryk på  på hovedskærm-billedet for vejning.
⇒ ADJ.INT vises.
- 2 Tryk på .
⇒ Justeringen er gennemført.
⇒ Justeringsresultaterne vises.
- 3 Tryk på .
⇒ Vægten er klar.


4.4.5 Aktivering/deaktivering af standbytilstand

- 1 Tryk på  i mindre end to sekunder for at skifte til standbytilstand.
⇒ Displayets lysstyrke er reduceret, og oplysninger på displayet er synlige. Vægten er stadig tændt.
- 2 Tryk på  for at forlade standbytilstand.
Du kan også trykke på vejlepladen eller anbringe et lod på vejlepladen.
⇒ Displayet tændes.


4.4.6 Tilgå/forlad dvaletilstand

Bemærk

Kun relevant for kompakte vægte i batteritilstand.

- 1 Tryk på  i mindre end to sekunder for at skifte til dvaletilstand.
⇒ Displayet slukkes. Vægten er i dvaletilstand.
- 2 For at forlade dvaletilstand skal du trykke på opvågningskontakten bag på vægten.
⇒ Displayet tændes.




4.4.7 Slukning af vægten

For at slukke vægten helt skal den frakobles strømforsyningen. Når der trykkes på , går vægten kun i standbytilstand.

Bemærk

Når vægten har været helt slukket i et stykke tid, skal den varme op, før den kan anvendes.

Se også

-  Opstart af vægten ▶ side 19
-  Aktivering/deaktivering af standbytilstand ▶ side 21
-  Tilgå/forlad dvaletilstand ▶ side 21

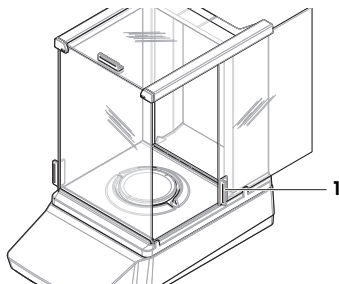
4.5 Udførelse af en enkel vejning

Bemærk


I forklaringen af fremgangsmåden anvendes en vægt med hus. For vægte uden hus springes de instruktioner over, der vedrører hus.

4.5.1 Åbning og lukning af husts døre

- Åbn døren manuelt med dørhåndtaget (1).





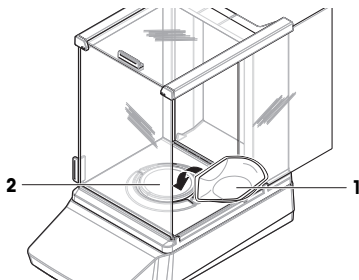
4.5.2 Nulstilling af vægten

- 1 Åbn trækskærmningen.
- 2 Ryd vejepladen.
- 3 Luk trækskærmningen.
- 4 Tryk på  for at nulstille vægten.
 - ➔ Vægten er nulstillet.


4.5.3 Tarering af vægten

Hvis der benyttes en prøvebeholder, skal vægten tareres.

- Vægten er nulstillet.
- 1 Placer prøvebeholderen (1) på vejepladen (2).
 - 2 Tryk på  for at tarere vægten.
 - ➔ Vægten tareres. Ikonet  Net vises.



4.5.4 Udførelse af en vejning

- 1 Åbn trækskærmingen.
- 2 Placer vejeobjektet i prøvebeholderen.
- 3 Luk trækskærmingen.
- 4 Vent, indtil ustabilitetsdetektoren **O** forsvinder.
⇒ Resultatet vises.
- 5 Valgfrit, hvis der er tilsluttet en printer: Tryk på  for at udskrive vejeresultatet.

4.6 Brug af batterier (kompakt vægt)

Vægten kan også bruges med batterier. Under almindelige driftsforhold kan vægten bruges uden AC-strømforsyning i ca. 8-15 timer (med alkaliske batterier).

Vægten skifter automatisk til batteridrift, så snart AC-strømforsyningen afbrydes. Dette kan f.eks. ske ved at trække i strømstikket eller i tilfælde af strømsvigt. Når AC-strømforsyningen er genoprettet, skifter vægten automatisk tilbage til AC-drift.

Vægten bruger otte AA-standardbatterier (LR6). Alkaliske batterier foretrækkes.

Der kan benyttes genopladelige batterier. Det er **ikke** muligt at genoplade batterier, når de sidder i vægten.

Når vægten er i batteridrift, lyser batterisymbolet på displayet. Antallet af segmenter, der vises i batterisymbolet, angiver opladningsniveauet. Når batterierne er næsten helt afladede, blinker batterisymbolet.

Se også

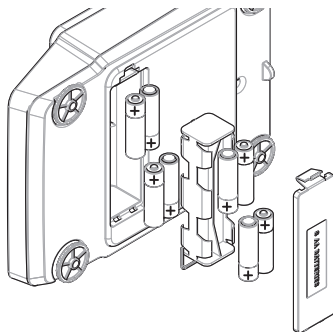
 Hovedskærmbillede til vejning ► side 12

4.6.1 Isætning eller udskiftning af batterier

- Læs og overhold alle advarsler og vejledninger fra batteriproducenten.
- Bland ikke forskellige typer batterier eller mærker af batterier. Batteriernes ydeevne varierer afhængigt af producenten.
- Fjern batterierne fra vægten, hvis vægten ikke bruges i længere tid.
- Batterierne skal bortskaffes korrekt i overensstemmelse med lokale bestemmelser.

Gør som i det følgende:

- Sluk for vægten.
 - Fjern vejepladen.
- 1 Vend vægten forsigtigt om på siden.
 - 2 Åbn og fjern dækslet til batterirummet.
 - 3 Isæt/udskift batterierne med den korrekte polaritet, som vist i batterirummet.
 - 4 Sæt dækslet til batterirummet i, og luk det.
 - 5 Vend vægten forsigtigt, så den står i normal position.
 - 6 Genmonter alle komponenter i omvendt rækkefølge.



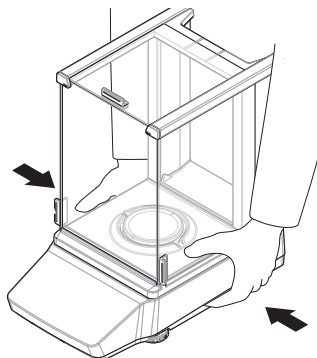
4.7 Transport, emballage og opbevaring

4.7.1 Transport af vægten over korte afstande

- 1 Afbryd AC/DC-adapteren, og træk alle interfacekabler ud.
- 2 Hold vægten med begge hænder, og bær den vandret til endelig placering. Vær opmærksom på kravene til placeringen.

Hvis du ønsker at tage vægten i brug, fortsætter du som følger:

- 1 Tilslut i omvendt rækkefølge.
- 2 Giv vægten tilstrækkelig tid til at varme op.
- 3 Sørg for, at vægten er i vater.
- 4 Udfør en intern justering



Se også

- ☞ Valg af placering ▶ side 14
- ☞ Opstart af vægten ▶ side 19
- ☞ Nivellering af vægten ▶ side 19
- ☞ Udførelse af en intern justering ▶ side 21

4.7.2 Transport af vægten over lange afstande

METTLER TOLEDO anbefaler at bruge den originale emballage til transport eller forsendelse af vægten eller vægtens komponenter over lange afstande. De enkelte elementer af den originale emballage er udviklet specifikt til vægten og dens komponenter for at sikre maksimal beskyttelse under transport.

Se også

- ☞ Udpakning af vægten ▶ side 14

4.7.3 Emballage og opbevaring

Indpakning af vægten

Opbevar alle dele af emballagen et sikkert sted. De enkelte elementer af den originale emballage er udviklet specifikt til vægten og dens komponenter for at sikre maksimal beskyttelse under transport og opbevaring.

Opbevaring af vægten

Opbevar kun vægten under følgende forhold:

- Indendørs og i den originale emballage
- i henhold til de miljømæssige forhold. Der henvises til "Tekniske data"

i Bemærk

Når vægten opbevares i over seks måneder, kan det genopladelige batteri blive afladet (det er kun dato og klokkeslæt, der mistes).

Se også

- ☞ Tekniske data ▶ side 30

5 Vedligeholdelse

For at sikre vægten funktion og nøjagtigheden af vejeresultaterne skal brugeren gennemføre en række vedligeholdelsesopgaver.



Hvis der er behov for yderligere oplysninger, henvises der til referencemanualen (RM).

► www.mt.com/MA-RM

5.1 Vedligeholdelsesopgaver

Vedligeholdelsesopgaver	Anbefalet interval	Bemærkninger
Udførelse af en intern justering	<ul style="list-style-type: none">• Dagligt• Efter rengøring• Efter justering• Efter ændring af placering	Se "Udførelse af en intern justering"
Udførelse af rutinetests (excentricitetstest, repeterbarhedstest, følsomhedstest). METTLER TOLEDO anbefaler, at der som minimum udføres en følsomhedstest.	<ul style="list-style-type: none">• Efter rengøring• Efter samling af vægten• Efter en softwareopdatering• Afhængigt af dine interne procedurer (SOP)	Se "Tests" i referencemanualen
Rengøring	<ul style="list-style-type: none">• Efter hver brug• Afhængigt af forureningsgraden• Afhængigt af dine interne procedurer (SOP)	se "Rengøring"
Opdatering af softwaren	<ul style="list-style-type: none">• Afhængigt af de interne procedurer (SOP).• Efter en ny softwareopdatering.	Se "Softwareopdatering" i referencemanualen

Se også

🔗 Udførelse af en intern justering ► side 21

🔗 Rengøring ► side 25

5.2 Rengøring

5.2.1 Afmontering med henblik på rengøring

Bemærk

Komponenterne kan se anderledes ud afhængigt af vægtmodellen.

Bemærk

I de fleste tilfælde er det ikke nødvendigt at fjerne beskyttelsesafdækningen for at rengøre vægten.

5.2.1.1 Vægte med trækafskærmning



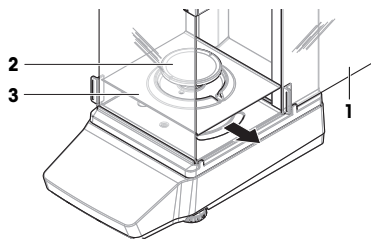
FORSIGTIG

Personskade på grund af skarpe genstande eller knust glas

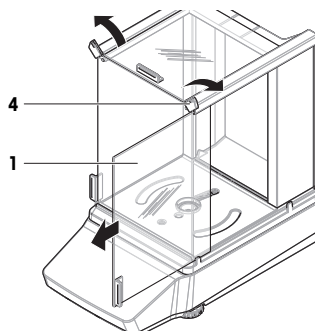
Instrumentkomponenter, f.eks. glas, kan gå i stykker og medføre personskader.

- Vær altid fokuseret og omhyggelig under proceduren.

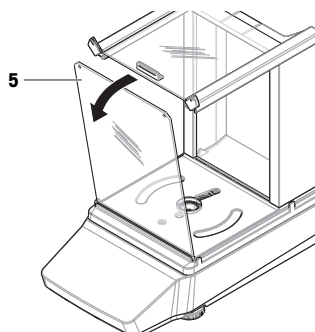
- 1 Åbn sidedørene helt (1).
- 2 Fjern om nødvendigt vejepladen (2) og drypbakken (3).



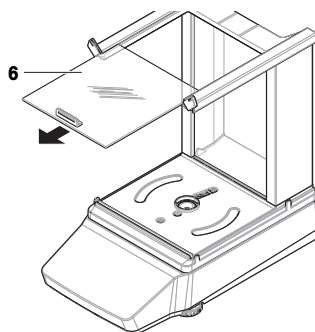
- 3 Drej QuickLock (4), og træk sidedøren (1) fremad for at fjerne den (højre, venstre).



- 4 Vip frontpanelet (5) fremad, og løft det opad for at fjerne det.



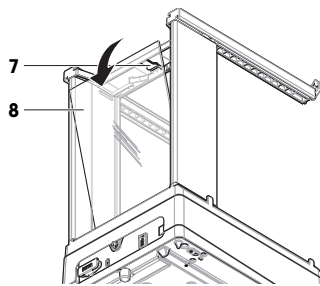
- 5 Træk den øverste dør (6) fremad for at fjerne den.



- 6 Tryk på udløserknappen (7), og vip bagpanelet (8) for at fjerne det.

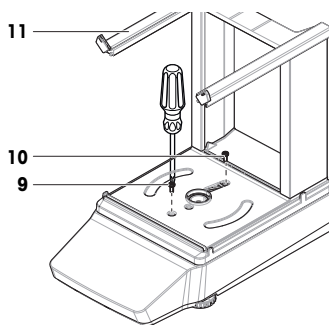
Bemærk

Efter behov (valgfrit): Fjern beskyttelsesafdækningen for at rengøre vægten som beskrevet nedenfor.

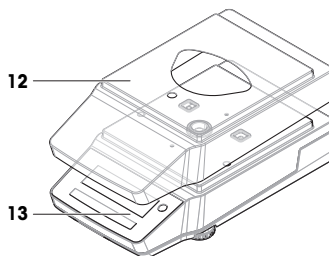


- 7 Fjern den forreste skrue (9) og den bageste skrue (10) med en stjerneskruetrækker.

- 8 Fjern trækafskærmningen (11).



- 9 Fjern beskyttelsesafdækningen (12) fra vejep Plattformen (13).



5.2.1.2 Vægte uden trækafskærmning

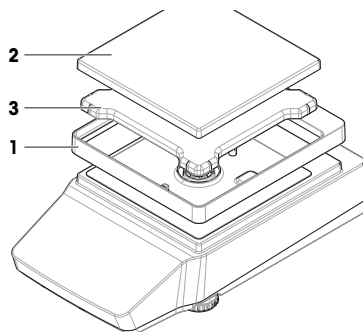
- 1 Fjern beskyttelseselementet (1).

- 2 Fjern vejep ladden (2).

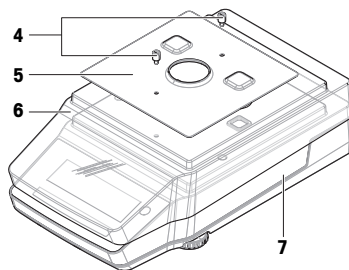
- 3 Fjern vejep lade støtten (3).

Bemærk

Efter behov (valgfrit): Fjern beskyttelsesafdækningen for at rengøre vægten som beskrevet nedenfor.

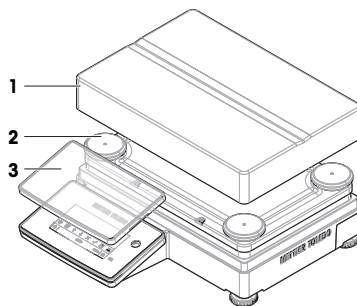


- 4 Fjern skruerne (4) for at fjerne EMC-pladen (5).
- 5 Fjern beskyttelsesafdækningen (6) fra vejeplatformen (7).



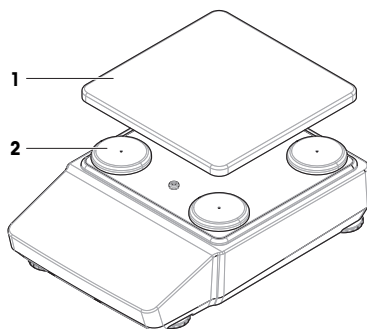
5.2.1.3 Store vægte

- 1 Fjern vejepladen (1).
- 2 Fjern støttehæfterne (2).
- 3 Efter behov (valgfrit): Fjern beskyttelsesafdækningen (3) for rengøring.

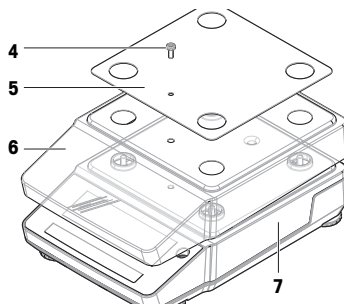


5.2.1.4 Vægte, kompakte

- 1 Fjern vejepladen (1).
 - 2 Fjern støttehæfterne (2).
- Bemærk**
Efter behov (valgfrit): Fjern beskyttelsesafdækningen for at rengøre vægten som beskrevet nedenfor.



- 3 Fjern skruen (4) for at fjerne EMC-pladen (5).
- 4 Fjern beskyttelsesafdækningen (6) fra vejeplatformen (7).



5.2.2 Rengøring af vægten



BEMÆRK

Beskadigelse af instrumentet på grund af brug af forkerte rengøringsmetoder

Hvis der trænger væske ind i kabinettet, kan det beskadige instrumentet. Instrumentets overflade kan blive beskadiget af visse rengøringsmidler, opløsningsmidler og slibemidler.

- 1 Undlad at sprøjte eller hælde væsker på instrumentet.
- 2 Brug kun de rengøringsmidler, der er angivet i referencemanualen (RM) til instrumentet eller vejledningen "8 Steps to a Clean Balance".
- 3 Brug kun en lettere fugtig, fnugfri klud eller papirserviet til at rengøre instrumentet.
- 4 Tør op med det samme, hvis der spildes.



Se "8 Steps to a Clean Balance" for at få yderligere oplysninger om rengøring af en vægt.

► www.mt.com/lab-cleaning-guide

Rengøring rundt om vægten

- Fjern al snavs eller støv omkring vægten, og undgå yderligere kontaminering.

Rengøring af terminalen

- Rengør terminalen med en fugtig klud eller et stykke køkkenrulle og et mildt rengøringsmiddel.

Rengøring af de udtagede dele

- Rengør de fjernede dele med en fugtig klud eller et stykke køkkenrulle og et mildt rengøringsmiddel, eller rengør dem i en opvaskemaskine ved op til 80 °C.

Rengøring af vejeenheden

- 1 Afbryd vægten fra AC/DC-adapteren.
- 2 Brug en fnugfri klud, der er fugtet med et mildt rengøringsmiddel til at rengøre vægten's overflade.
- 3 Fjern først pulver eller støv med en engangspapirserviet.
- 4 Fjern klistrede substanser med en fugtig, fnugfri klud og et mildt opløsningsmiddel, f.eks. isopropanol eller ætanol 70 %.

5.2.3 Idriftsættelse efter rengøring

- 1 Gensamling af vægten.
- 2 Kontrollér, at husts døre (øverst, sider) åbner og lukker normalt (hvis relevant).
- 3 Tilslut vægten til AC/DC-adapteren.
- 4 Kontrollér, om vægten er i vater. Juster om nødvendigt.
- 5 Respekter den opvarmningstid, der er angivet i "Tekniske data".
- 6 Udfør en intern justering
- 7 Udfør en rutinetest i henhold til virksomhedens interne bestemmelser. METTLER TOLEDO anbefaler udførelse af en følsomhedstest efter rengøring af vægten.
- 8 Tryk på →0← for at nulstille vægten.
 - ⇒ Vægten er klar til brug.

Se også

- 🔗 Nivellering af vægten ► side 19
- 🔗 Tekniske data ► side 30
- 🔗 Udførelse af en intern justering ► side 21

5.3 Service

Regelmæssig service udført af en autoriseret servicetekniker sikrer pålidelig drift i mange år fremover. Kontakt din METTLER TOLEDO-repræsentant for at få flere oplysninger om de tilgængelige servicemuligheder.

6 Tekniske data

6.1 Generelle data

Strømforsyning

AC/DC-adapter:	Indgang: 100–240 V AC \pm 10 %, 50–60 Hz, 0,5 A Udgang: 12 V DC, 1 A, LPS
Vægtens strømforbrug:	12 V DC \pm 10 %, 0,5 A
Polaritet:	

Strømforsyning (valgfri)

AC/DC-adapter:	Indgang: 100–240 V AC \pm 10 %, 50–60 Hz, 0,8 A, 61–80 VA Udgang: 12 V DC, 2,5 A, LPS
Kabel til AC/DC-adapter:	3-benet, med landespecifikt stik
Vægtens strømforbrug:	12 V DC \pm 10 %, 0,5 A
Polaritet:	

Beskyttelse og standarder

Overspændingskategori:	II
Forureningsgrad:	2
Tæthedsgrad:	IP43 (kun præcisionsvægte)

Bemærk

Den angivne IP opnås kun, når vægten er klar til brug. Beskyttelsesafdækningen skal være monteret, og hæfterne skal dække interfaceforbindelserne.

Sikkerhedsstandarder og EMC:	Se overensstemmelseserklæringen
Anvendelsesområde:	Må kun anvendes indendørs i tørre omgivelser

Miljømæssige forhold

Grænseværdierne er gældende, når vægten benyttes under følgende miljømæssige forhold:

Højde over havets overflade:	Op til 5.000 m
Omgivelsestemperatur:	+10 til +30 °C
Temperaturændring, maks.:	5 °C/h
Relativ fugtighed:	30–70 %, ikke-kondenserende
Akklimeringsstid:	Anbefaling: Op til 4 timer for præcisionsvægte eller op til 8 timer for analysevægte. Disse værdier gælder efter placering af vægten på det sted, hvor den skal tages i brug.

Bemærk

Akklimeringsstiden afhænger af vægtens læsbarhed og af de miljømæssige forhold.

Opvarmningstid:	Mindst 30 minutter for præcisionsvægte eller 60 minutter for analysevægte. Disse værdier gælder, når vægten er tilsluttet strømforsyningen. Når den tændes fra standbytilstand, er vægten klar til brug med det samme.
-----------------	--

Vægten kan benyttes under følgende miljømæssige forhold. Men vægtens ydeevne kan være uden for grænseværdierne:

Omgivelsestemperatur:	+5 °C – +40 °C
-----------------------	----------------

Relativ fugtighed: 20 % til maks. 80 % ved 31 °C, lineært aftagende til 50 % ved 40 °C, ikke-kondenserende

Vægten kan afbrydes og opbevares i emballagen under følgende forhold:

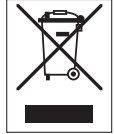
Omgivelsestemperatur: -25 til +70 °C

Relativ fugtighed: 10–90 %, ikke-kondenserende

7 Bortskaffelse

I overensstemmelse med EU-direktiv 2012/19/EU om affald af elektrisk og elektronisk udstyr (WEEE) må denne enhed ikke bortskaffes som husholdningsaffald. Dette gælder også for lande uden for EU i henhold til deres specifikke krav.

Bortskaf dette produkt i overensstemmelse med de lokale love og regler og på et indsamlingssted, der er beregnet til elektrisk og elektronisk udstyr. Hvis du har spørgsmål, bedes du kontakte de ansvarlige myndigheder eller den forhandler, hvor du har købt enheden. Hvis enheden overdrages til andre, skal der også relateres til indholdet i denne bestemmelse.



8 Oplysninger om overensstemmelse

Nationale godkendelsesdokumenter, f.eks. FCC-overensstemmelseserklæringen fra leverandøren, er tilgængelige online og/eller inkluderet i emballagen.

► www.mt.com/ComplianceSearch



Hvis der er behov for yderligere oplysninger, henvises der til referencemanualen (RM).

► www.mt.com/MA-RM

Tablica sadržaja

1	Uvod	3
1.1	Svrha dokumenta	3
1.2	Dodatni dokumenti i informacije	3
1.3	Akronimi i kratice	3
2	Sigurnosne informacije	4
2.1	Definicije signalnih riječi i simbola upozorenja	4
2.2	Sigurnosne napomene o proizvodu	5
3	Dizajn i funkcija	5
3.1	Pregled analitičkih vaga	6
3.2	Pregled preciznih vaga, malih	6
3.3	Pregled preciznih vaga, velikih	7
3.4	Pregled preciznih vaga, kompaktnih	7
3.5	Terminal za pregled	8
3.6	Pregled sučelja za povezivanje	8
3.7	Opis komponenata	9
3.7.1	Stakleni pokrov	9
3.7.2	Mjerna ploha	9
3.7.3	Podložak	9
3.7.4	Ručka vrata	9
3.7.5	Nožice za niveliranje	10
3.7.6	Terminal	10
3.7.7	QuickLock za vrata i prednju ploču	10
3.7.8	Gumb za otpuštanje za stražnju ploču	10
3.8	Korisničko sučelje	11
3.8.1	Glavni odjelci na jednom mjestu	11
3.8.2	Glavni zaslon za vaganje	12
4	Instalacija i pokretanje uređaja	14
4.1	Odabir mjesta	14
4.2	Raspakiranje vage	14
4.3	Instalacija	15
4.3.1	Vage sa staklenim pokrovom	15
4.3.2	Vage bez staklenog pokrova	17
4.3.3	Vage, velike	18
4.3.4	Vage, kompaktno	18
4.4	Pokretanje uređaja	18
4.4.1	Priključivanje vage	18
4.4.2	Uključivanje vage	19
4.4.3	Niveliranje vage	19
4.4.3.1	Niveliranje velikih vaga	19
4.4.3.2	Niveliranje kompaktnih vaga	20
4.4.3.3	Niveliranje ostalih vaga	21
4.4.4	Provođenje internog podešavanja	21
4.4.5	Prebacivanje u stanje mirovanja ili iz njega	22
4.4.6	Prelazak u način rada s uštedom energije i izlazak iz njega	22
4.4.7	Isključivanje vage	22
4.5	Jednostavno vaganje	22
4.5.1	Otvaranje i zatvaranje vrata staklenog pokrova	22
4.5.2	Nuliranje vage	22
4.5.3	Tariranje vage	23
4.5.4	Vaganje	23

4.6	Upotreba baterija (kompaktna vaga)	23
4.6.1	Umetanje ili zamjena baterija	23
4.7	Prijevoz, pakiranje i skladištenje	24
4.7.1	Prijenos vage na kraće udaljenosti	24
4.7.2	Prijenos vage na veće udaljenosti	24
4.7.3	Pakiranje i odlaganje	24
5	Održavanje	25
5.1	Zadaci održavanja	25
5.2	Čišćenje	25
5.2.1	Rastavljanje radi čišćenja	25
5.2.1.1	Vage sa staklenim pokrovom	26
5.2.1.2	Vage bez staklenog pokrova	28
5.2.1.3	Vage, velike	28
5.2.1.4	Vage, kompaktne	29
5.2.2	Čišćenje vage	29
5.2.3	Puštanje u rad nakon čišćenja	30
5.3	Servis	30
6	Tehnički podaci	30
6.1	Opći podaci	30
7	Odlaganje	31
8	Informacije o sukladnosti	31

1 Uvod

Zahvaljujemo vam na odabiru vage tvrtke METTLER TOLEDO. Vaga kombinira visoku učinkovitost i lakoću upotrebe.

EULA

Softver na ovom proizvodu licenciran je u sklopu Licencnog ugovora s korisnikom (eng. End User License Agreement, EULA) za softver tvrtke METTLER TOLEDO.

Pri upotrebi ovog proizvoda prihvaćate odredbe ove EULA-e.

► www.mt.com/EULA

1.1 Svrha dokumenta

Ovaj korisnički priručnik sadrži kratke upute za prve korake koje treba poduzeti s uređajem. Njima se osigurava sigurno i učinkovito rukovanje. Osoblje mora pažljivo i s razumijevanjem pročitati ovaj priručnik prije izvođenja bilo kakvih zadataka.

1.2 Dodatni dokumenti i informacije

Ovaj dokument dostupan je na drugim jezicima na internetu.



► www.mt.com/MA-UM

Stranica proizvoda:

► www.mt.com/MA-balances

Upute za čišćenje vage, "8 Steps to a Clean Balance":

► www.mt.com/lab-cleaning-guide

Pretražite softver:

► www.mt.com/labweighing-software-download

Pretražite dokumente:

► www.mt.com/library

Za dodatna pitanja obratite se ovlaštenim distributeru ili servisnom predstavniku tvrtke METTLER TOLEDO.

► www.mt.com/contact

1.3 Akronimi i kratice

Izvorni izraz	Prevedeni izraz	Objašnjenje
AC		Alternating Current (Naizmjenična struja)
ASTM		American Society for Testing and Materials (Američko društvo za testiranje i materijale)
DC		Direct Current (Istosmjerna struja)
EMC		Electromagnetic Compatibility (Elektromagnetska kompatibilnost)
FCC		Federal Communications Commission (Federalna komisija za komunikacije)
GWP		Good Weighing Practice
HID		Human Interaction Device

	(Uređaj za interakciju s ljudima)
ID	Identification
IP	Ingress Protection
LAN	Local Area Network (Lokalna mreža)
LED	Light-Emitting Diode (Svjetleća dioda)
LPS	Limited Power Source (Ograničen izvor napajanja)
MAC	Media Access Control
MT-SICS	METTLER TOLEDO Standard Interface Command Set (METTLER TOLEDO standardni set naredbi za sučelje)
NA	Not Applicable (Nije primjenjivo)
OIML	Organisation Internationale de Métrologie Légale (Međunarodna organizacija za zakonsko mjeriteljstvo)
RAM	Random Access Memory (Radna memorija)
RM	Reference Manual (Referentni priručnik)
SOP	Standard Operating Procedure (Standardna operativna procedura)
UM	User Manual (Korisnički priručnik)
USB	Universal Serial Bus
USP	United States Pharmacopeia (Američka farmakopeja)

2 Sigurnosne informacije

Dva dokumenta pod nazivom "Korisnički priručnik" i "Referentni priručnik" dostupni su za ovaj uređaj.

- Korisnički priručnik dostupan je na mreži na raznim jezicima.
- Ispisana verzija korisničkog priručnika isporučuje se s uređajem.
- Referentni priručnik je dostupan na mreži. Ovaj priručnik sadrži potpun opis uređaja i njegove upotrebe.
- Oba dokumenta sačuvajte za buduću upotrebu.
- Prilikom predaje uređaja drugima priložite oba dokumenta.

Uređaj upotrebljavajte isključivo sukladno uputama iz korisničkog priručnika i referentnog priručnika. Ako se uređaj ne upotrebljava sukladno uputama iz tih dokumenata ili se na njemu izvode izmjene, to može ugroziti sigurnost uređaja i tvrtka Mettler-Toledo GmbH ne preuzima odgovornost.

2.1 Definicije signalnih riječi i simbola upozorenja

Sigurnosne napomene sadrže važne informacije o sigurnosnim problemima. Ignoriranje sigurnosnih napomena može dovesti do tjelesnih ozljeda, oštećenja uređaja, kvarova i pogrešnih ishoda. Sigurnosne napomene označene su sljedećim signalnim riječima i simbolima upozorenja:

Signalne riječi

OPASNOST

Opasna situacija visokog rizika koja može rezultirati smrću ili teškim ozljedama ako se ne izbjegne.

UPOZORENJE	Opasna situacija srednjeg rizika koja može rezultirati smrću ili teškim ozljedama ako se ne izbjegne.
OPREZ	Opasna situacija niskog rizika koja može rezultirati manjim ili umjerenim ozljedama ako se ne izbjegne.
OBAVIJEST	Opasna situacija niskog rizika koja rezultira oštećenjem uređaja, drugim materijalnim štetama, neispravnošću, pogrešnim rezultatima ili pak gubitkom podataka.

Simboli upozorenja



Opća opasnost



Obavijest

2.2 Sigurnosne napomene o proizvodu

Namjena

Instrument smije upotrebljavati isključivo stručno obučeno osoblje. Uređaj je namijenjen za vaganje.

Ostale vrste upotrebe i rada koje nisu u skladu ograničenjima upotrebe koja je propisala tvrtka Mettler-Toledo GmbH, a obavljaju se bez dopuštenja tvrtke Mettler-Toledo GmbH smatraju se pogrešnom namjenom.

Odgovornosti vlasnika uređaja

Vlasnik uređaja osoba je koja ima zakonsko pravo za upotrebu uređaja i koja uređaj upotrebljava ili drugima daje dopuštenje za njegovu upotrebu, kao i osoba kojoj je zakonom dopušteno da bude rukovatelj uređajem. Vlasnik uređaja odgovoran je za sigurnost svih korisnika uređaja i trećih strana.

Mettler-Toledo GmbH pretpostavlja da vlasnik uređaja obučava korisnike za sigurnu upotrebu uređaja na radnom mjestu i brine se za potencijalne opasnosti. Mettler-Toledo GmbH pretpostavlja da se vlasnik uređaja pobrine za svu potrebnu zaštitnu opremu.

Sigurnosne napomene



UPOZORENJE

Smrtonosne ili ozbiljne ozljede od strujnog udara

Doticaj s dijelovima pod naponom može dovesti do ozljeda ili smrti.

- 1 Upotrebljavajte isključivo kabel za napajanje METTLER TOLEDO i AC/DC adapter namijenjen za uređaj.
- 2 Priključite kabel za napajanje u uzemljenu strujnu utičnicu.
- 3 Sve električne kabele i priključke držite podalje od tekućina i vlage.
- 4 Provjerite ima li oštećenja na kabelima i utikaču za napajanje i zamijenite ih ako su oštećeni.



OBAVIJEST

Oštećenje instrumenta ili neispravnost uslijed upotrebe neodgovarajućih dijelova

- Upotrebljavajte isključivo dijelove tvrtke METTLER TOLEDO koji su namijenjeni za upotrebu s vašim instrumentom.

Popis rezervnih dijelova i dodatne opreme možete pronaći u referentnom priručniku.

3 Dizajn i funkcija

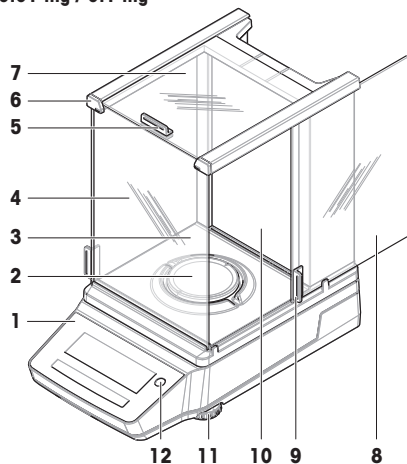


Detaljne informacije možete pronaći u referentnom priručniku.RM

www.mt.com/MA-RM

3.1 Pregled analitičkih vaga

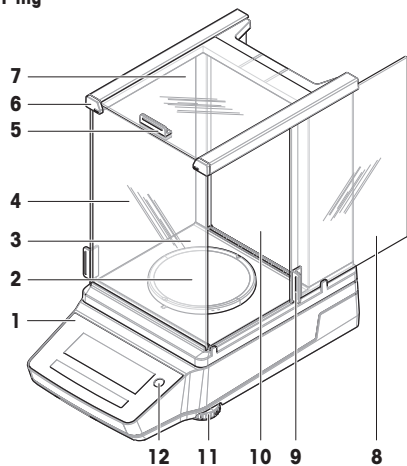
0.01 mg / 0.1 mg



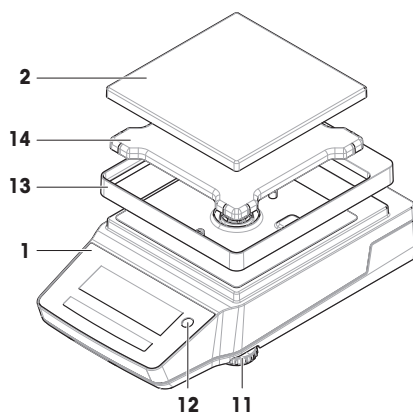
1	Terminal	7	Gornja vrata, stakleni pokrov
2	Mjerna ploha	8	Bočna vrata, stakleni pokrov (desno/lijevo)
3	Podložak	9	Ručka, bočna vrata
4	Prednja ploča, stakleni pokrov	10	Stražnja ploča, stakleni pokrov
5	Ručka, gornja vrata	11	Nožice za niveliranje
6	QuickLock, prednja ploča	12	Indikator poravnanja

3.2 Pregled preciznih vaga, malih

1 mg



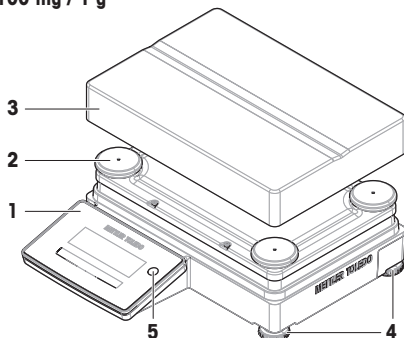
10 mg / 100 mg



1	Terminal	8	Bočna vrata, stakleni pokrov (desno/lijevo)
2	Mjerna ploha	9	Ručka, bočna vrata
3	Podložak	10	Stražnja ploča, stakleni pokrov
4	Prednja ploča, stakleni pokrov	11	Nožice za niveliranje
5	Ručka, gornja vrata	12	Indikator poravnanja
6	QuickLock, prednja ploča	13	Stakleni pokrov
7	Gornja vrata, stakleni pokrov	14	Držač mjerne plohe

3.3 Pregled preciznih vaga, velikih

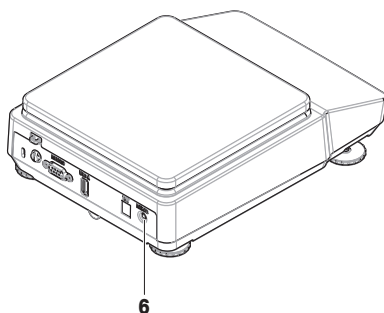
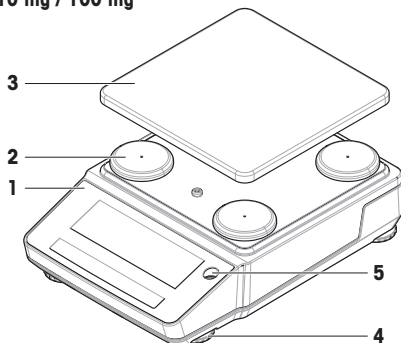
100 mg / 1 g



1	Terminal	4	Nožice za niveliranje
2	Kapica za postolje mjerne plohe	5	Indikator poravnanja
3	Mjerna ploha		

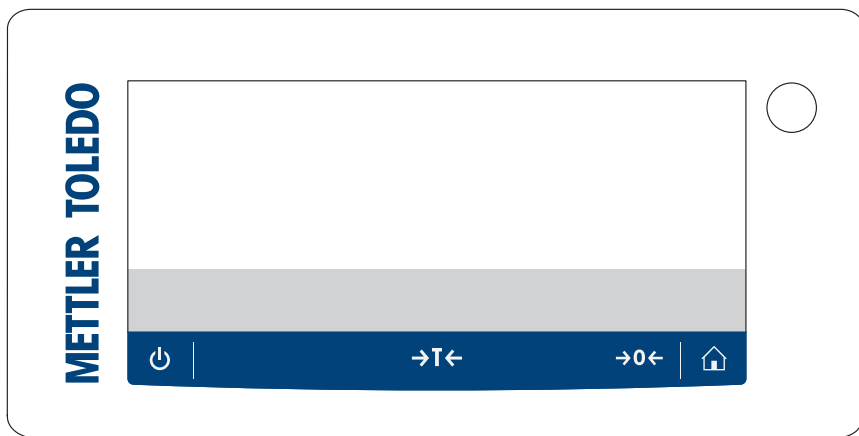
3.4 Pregled preciznih vaga, kompaktnih

10 mg / 100 mg



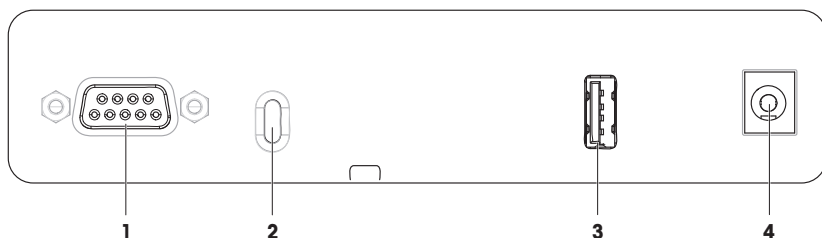
1	Terminal	4	Nožice za niveliranje
2	Kapica za postolje mjerne plohe	5	Indikator poravnanja
3	Mjerna ploha	6	Prekidač za uključivanje (baterijski način rada)

3.5 Terminal za pregled



	Naziv	Opis
	Standby	<p>Dodirivanjem vage se ne isključuje u potpunosti, već prelazi u stanje mirovanja. Kako bi se vaga u potpunosti isključila, potrebno ju je iskopčati iz napajanja.</p> <p>i Napomena Ne isključujte vagu iz napajanja, osim ako se dulje vrijeme neće upotrebljavati. Nakon uključivanja instrument se mora zagrijati kako bi se dobili točni rezultati.</p> <p>i Napomena Kompaktne vage samo s baterijskim načinom rada: Dodirivanjem vage se u potpunosti isključuje. Nema stanja mirovanja.</p>
	Tara	<p>Tarira vagu.</p> <p>Ova se funkcija upotrebljava ako su u postupak vaganja uključeni i spremnici. Po dovršetku tariranja vage, na zaslonu se prikazuje ikona koja pokazuje da su sve prikazane težine neto.</p>
	Nula	<p>Nulira vagu.</p> <p>Vagu treba obavezno nulirati prije početka postupka vaganja. Po dovršetku nuliranja vaga postavlja novu nultu točku.</p>
	Početni zaslon	Služi za povratak na glavni zaslon za vaganje trenutno namještene ili posljednje korištene primjene iz bilo kojeg izbornika postavki.

3.6 Pregled sučelja za povezivanje

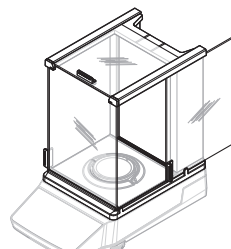


1	RS232C serijsko sučelje	3	USB-A ulaz
2	Utor za kabel za zaštitu od krađe	4	Utičnica za AC/DC adapter

3.7 Opis komponentata

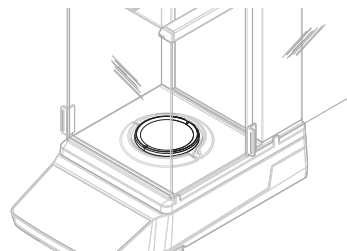
3.7.1 Stakleni pokrov

Stakleni pokrov štiti područje za vaganje od utjecaja iz okruženja, kao što su strujanje zraka ili vlaga. Bočna vrata i gornja vrata mogu se otvoriti ručno.



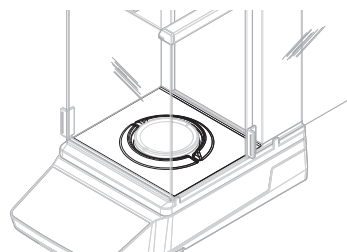
3.7.2 Mjerna ploha

Mjerna ploha je receptor tereta koji služi za prihvat predmeta za vaganje.



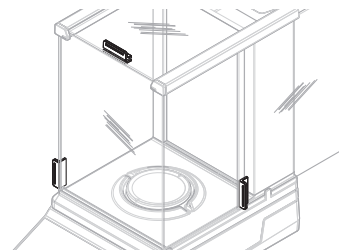
3.7.3 Podložak

Podložak je postavljen ispod mjerne plohe. Primarna svrha podloška je brzo čišćenje vage.



3.7.4 Ručka vrata

Ručke vrata postavljene su na vrata staklenog pokrova. Ručke se upotrebljavaju za ručno otvaranje bočnih vrata i gornjih vrata staklenog pokrova.

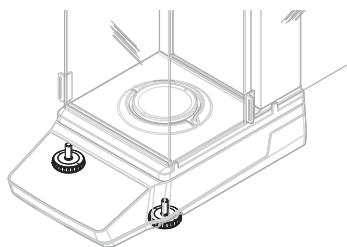


3.7.5 Nožice za niveliranje

Vaga stoji na nožicama prilagodljive visine. Ove se nožice upotrebljavaju za poravnanje vage.

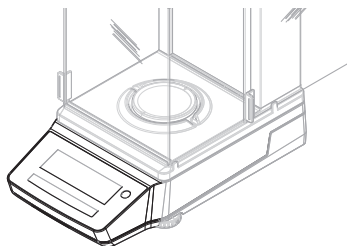
i Napomena

Velike vage i kompaktne vage imaju četiri nožice za niveliranje.



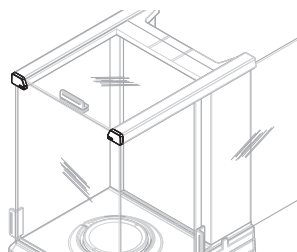
3.7.6 Terminal

Terminal je integriran u vagu i ima LCD zaslon. Terminal i platforma za vaganje zaštićeni su zamjenjivim poklopcem.



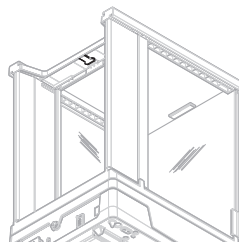
3.7.7 QuickLock za vrata i prednju ploču

Ovisno o položaju, QuickLock se upotrebljava za zaključavanje/otključavanje gornjih vrata, bočnih vrata i prednje ploče staklenog pokrova.



3.7.8 Gumb za otpuštanje za stražnju ploču

Gumb za otpuštanje upotrebljava se za zaključavanje/otključavanje stražnje ploče staklenog pokrova.



3.8 Korisničko sučelje

3.8.1 Glavni odjeljci na jednom mjestu

Glavni zaslon za vaganje (1) prikazuje rezultate vaganja i povratne informacije o statusu vage. Operativne tipke (2) glavni su navigacijski element za pristup svim izbornicima i postavkama i njihov odabir.



	Naziv	Opis
1	Glavni zaslon za vaganje	Prikazuje rezultate vaganja i pruža informacije o statusu vage.
2	Operativne tipke	Omogućuju pristup izbornicima i funkcijama vage.

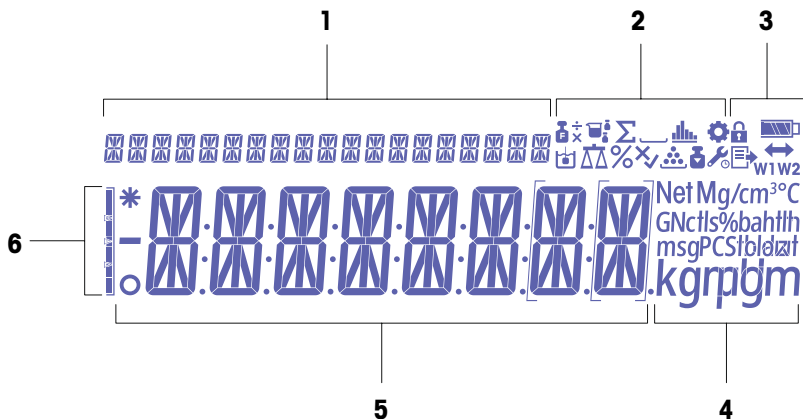
Operativne tipke

	Naziv	Opis
	Postavke	Pristup izborniku postavki.
	Aplikacije	Pristup izborniku aplikacija.
	Prethodno/Gore/Povećaj	<ul style="list-style-type: none">• Pomicanje prema gore u popisu tema.• Prebacivanje s jedinice 1, jedinice 2 i jedinice aplikacije (ako je dostupna).• Povećava brojeve.• Dodaje zabilježenu težinu unutar primjene.
	Sljedeće/Dolje/Smanji	<ul style="list-style-type: none">• Pomicanje prema dolje u popisu tema.• Prebacivanje s jedinice 1, jedinice 2 i jedinice aplikacije (ako je dostupna).• Smanjuje brojeve.
	Poništi	Funkcija za poništavanje zadatka ili napuštanje izbornika bez spremanja.
	Prihvati	<ul style="list-style-type: none">• Funkcija za pristup odabranom izborniku.• Pokreće odabranu aplikaciju.• Potvrđuje unos.
	Podešavanje	Obavlja prethodno definirani postupak podešavanja.
	Ispis/Prijenos	<ul style="list-style-type: none">• Funkcija za ispis prikazanih vrijednosti.• Ispisuje postavke aktivnog korisničkog izbornika.• Prenosi podatke na prethodno definiranu ciljnu lokaciju.

Vidi također

Glavni zaslon za vaganje ▶ stranica 12

3.8.2 Glavni zaslon za vaganje



1	Tekst uputa	4	Ikone jedinica
2	Ikone aplikacija	5	Vrijednost težine / oznaka izbornika / oznaka parametra / vrijednost parametra
3	Ikone statusa	6	Pomoćnik za vaganje

Ikone aplikacija

Naziv	Opis
Aplikacija "Vaganje s faktorom dijeljenja"	U aplikaciji "Vaganje s faktorom dijeljenja" prethodno definirani faktor dijeli se s vrijednošću težine (u gramima): rezultat = faktor/težina Rezultat se zaokružuje na zadani broj decimalnih mjesta.
Aplikacija "Vaganje s faktorom množenja"	U aplikaciji "Vaganje s faktorom množenja" vrijednost težine (u gramima) množi se s prethodno definiranim faktorom: rezultat = faktor × težina Rezultat se zaokružuje na zadani broj decimalnih mjesta.
Aplikacija "Formuliranje"	Aplikacija "Formuliranje" (ukupna neto težina) ima nekoliko svrha. <ul style="list-style-type: none"> Vaganje (dodavanje i pohrana) do 999 težina pojedinačnih komponenti i prikaz ukupnog iznosa. Ako je priključen pisač, težine komponenti ispisuju se pojedinačno i kao ukupni iznos. Tara/prethodna vrijednost tare i pohranjivanje do 999 težina kontejnera te prikaz ukupnog iznosa. Ako je priključen pisač, tara težine ispisuju se pojedinačno i kao ukupni iznos. Ispunite zbroj svih vrijednosti neto težine komponente dodavanjem dodatne komponente u višu vrijednost.
Aplikacija "Zbrajanje"	Aplikacija "Zbrajanje" omogućuje vaganje različitih uzoraka kako biste mogli davati njihove vrijednosti težine i zbrajati ih. Možete vagati od 1 do 999 uzoraka.
Aplikacija "Statistika"	Aplikacija "Statistika" omogućuje generiranje statističkih podataka za niz vrijednosti vaganja. Moguće su vrijednosti od 1 do 999.
Aplikacija "Dinamičko vaganje"	Aplikacija "Dinamičko vaganje" omogućuje određivanje težine nestabilnih uzoraka ili određivanje težine u nestabilnim uvjetima okoline. Vaga izračunava težinu kao prosjek niza postupaka vaganja u određenom vremenu.
Aplikacija Density	Aplikacija Density omogućuje određivanje gustoće krutih tijela i tekućina. Određivanje gustoće primjenjuje "temelji se na Arhimedovu načelu" prema kojem tijelo uronjeno u tekućinu prividno gubi na težini u iznosu koji je jednak težini tekućine koju potiskuje.

	Naziv	Opis
	Aplikacija Weighing	Aplikacija Weighing za jednostavne zadatke vaganja ili za izvođenje serije mjerenja.
	Aplikacija Check weighing	Aplikacija Check weighing omogućuje da provjerite odstupanje težine uzorka unutar granica odstupanja od referentne ciljne težine.
	Aplikacija Counting	Aplikacija Counting omogućuje da odredite broj komada na mjernoj plohi.

Ikone statusa

	Naziv	Opis
	Aktivirane postavke izbornika	Postavke izbornika aktivirane su i mogu se prilagoditi.
	Blokirane postavke izbornika	Postavke izbornika zaključane su i ne mogu se prilagoditi.
	Uključeno je interno podešavanje	Uključeno je interno podešavanje vage.
	Podsjetnik na servisiranje	Predstoji sljedeći servis.
	Objavlivanje	Podaci se objavljuju.
	Status napunjenosti baterije	Samo kompaktne vage: Prikazuje razinu napunjenosti baterije. <ul style="list-style-type: none"> : Puna baterija : Baterija puna 3/4 : Baterija puna 1/2 : Baterija puna 1/4 : Baterija ispražnjena
	Povezivost	Podatkovna veza s drugim uređajem.
W1	Raspon vaganja 1	Raspon vaganja 1 je aktivan.
W2	Raspon vaganja 2	Raspon vaganja 2 je aktivan.
Net	Vrijednosti neto težine	"Neto" označava da su sve prikazane vrijednosti težine neto vrijednosti.
G	Vrijednosti bruto težine	Prikazuju se vrijednosti bruto težine.
M	Pohranjena vrijednost (memorija)	Prikazuje se pohranjena vrijednost iz memorije vage.

Ikone oznaka

	Naziv	Opis
*	Izračunata vrijednost	Označava da se prikazana vrijednost izračunava.
o	Nestabilna vrijednost	Označava da je prikazana vrijednost nestabilna, što znači da se s vremenom mijenja.
[]	Necertificirane znamenke	Zagrade označavaju necertificirane znamenke (samo odobreni modeli vage).

4 Instalacija i pokretanje uređaja

4.1 Odabir mjesta

Vaga je osjetljiv i precizan instrument. Mjesto na kojem je postavljena imaće velik utjecaj na točnost rezultata vaganja.

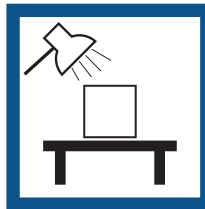
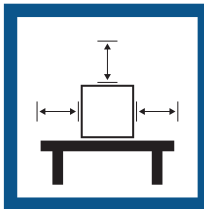
Zahtjevi za mjesto postavljanja

Postavite u zatvorenom prostoru na stabilnom stolu

Osigurajte dovoljno prostora oko proizvoda

Nivelirajte instrument

Osigurajte odgovarajuće osvijetljenje

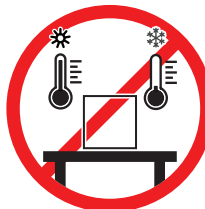
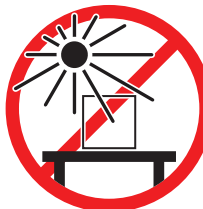


Izbjegavajte izravnu sunčevu svjetlost

Izbjegavajte vibracije

Izbjegavajte držati uređaj na jakom propuhu

Izbjegavajte prekomjerne promjene temperature



Obratite pozornost na uvjete okoline. Pogledajte odjeljak "Tehnički podaci".

Dovoljno prostora za vage: > 15 cm oko instrumenta

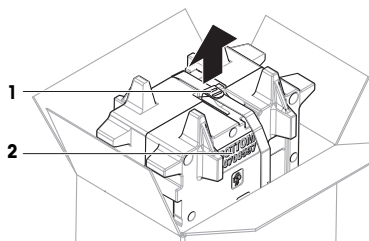
4.2 Raspakivanje vage

Provjerite postoje li oštećenja ambalaže, elemenata ambalaže i isporučenih komponenti. Ako su bilo koje komponente oštećene, obratite se predstavniku servisa tvrtke METTLER TOLEDO.

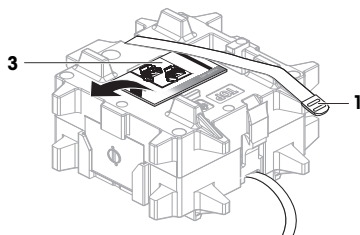
i Napomena

Ovisno o modelu vage, elementi pakiranja i komponente mogu izgledati drugačije.

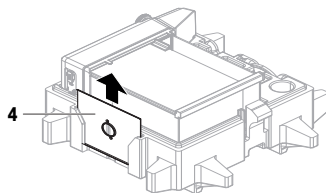
- 1 Otvorite kutiju i podignite paket pomoću remena za podizanje (1).
- 2 Postavite pakiranje na ravnu površinu s natpisom BOT-TOM (2) okrenutim prema dolje.



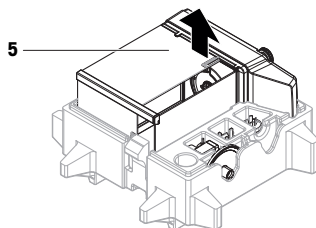
- 3 Otvorite remen za podizanje (1) i uklonite korisnički priručnik (3).



- 4 Uklonite gornji dio pakiranja i pažljivo raspakirajte podložak (4).



- 5 Pažljivo raspakirajte vagu (5) i sve ostale dijelove.
6 Uklonite zaštitnu vrećicu.
7 Ostavite zaštitni poklopac na platformi za vaganje i na terminalu.
8 Sačuvajte sve dijelove ambalaže na sigurnom mjestu za buduću upotrebu.
⇒ Vaga je spremna za instalaciju.



4.3 Instalacija

Napomena

Ovisno o modelu vage, komponente mogu izgledati drugačije.

4.3.1 Vage sa staklenim pokrovom



OPREZ

Opasnost od ozljeda zbog oštrih predmeta ili slomljenog stakla

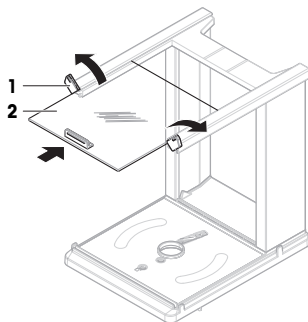
Komponente instrumenta, npr. staklo, mogu se slomiti, a to može dovesti do ozljeda.

- Uvijek radite usredotočeno i pažljivo.

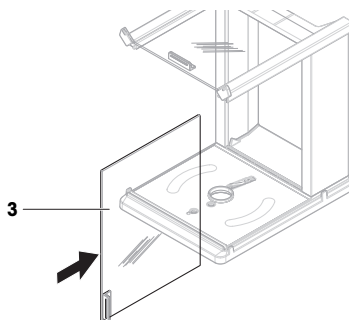
Napomena

Preskočite korake 1 – 5 prilikom prvog raspakivanja vage ili ako je stakleni pokrov već sastavljen i montiran na platformu za vaganje.

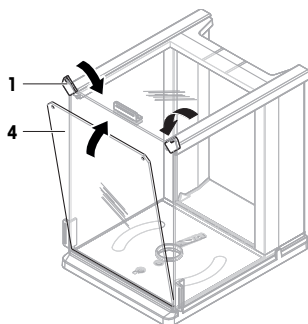
- 1 Sastavljanje staklenog pokrova: Okrenite QuickLock (1, desno, lijevo) i umetnite gornja vrata (2).



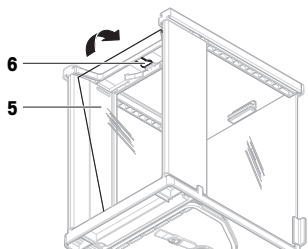
- 2 Umetnite bočna vrata (3) (desno, lijevo).



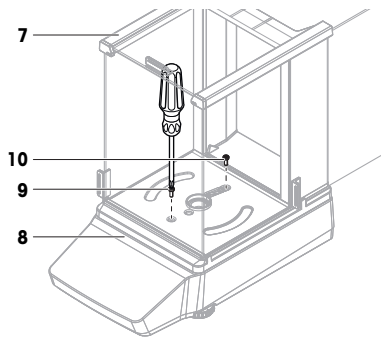
- 3 Pričvrstite prednju ploču (4), a zatim okrenite QuickLock (1, desno, lijevo) kako biste zadržali ploču na mjestu.



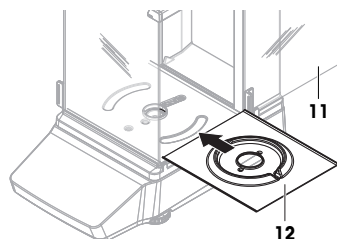
- 4 Pričvrstite stražnju ploču (5). Pobrinite se da gumb za otpuštanje (6) uskoči na mjesto.



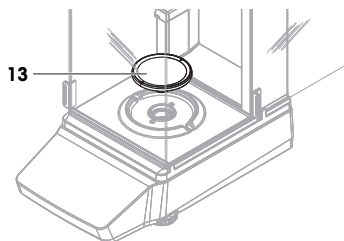
- 5 Pričvrstite stakleni pokrov (7) na platformu za vaganje (8) pričvršćivanjem prednjeg vijka (9) i stražnjeg vijka (10) križnim odvijačem.



- 6 Potpuno otvorite bočna vrata (11).
7 Umetnite podložak (12).

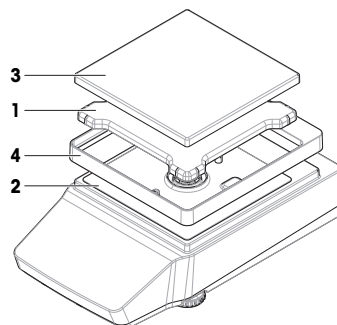


- 8 Instalirajte mjernu plohu. **13**
➔ Vaga je spremna za upotrebu.



4.3.2 Vage bez staklenog pokrova

- 1 Postavite držač mjerne plohe (1) iznad platforme za vaganje (2).
i Napomena
Kako biste zaštitili vagu, ostavite zaštitni poklopac na platformi za vaganje (2).
2 Postavite mjernu plohu (3) iznad držača mjerne plohe (1).
3 Postavite zaštitni element (4) iznad platforme za vaganje (2).
➔ Vaga je spremna za upotrebu.



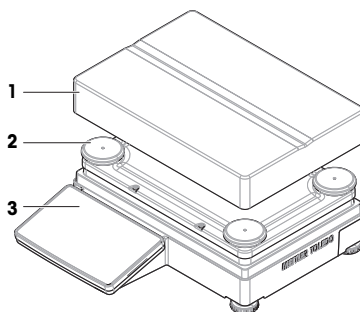
4.3.3 Vage, velike

- Postavite mjernu plohu (1) iznad potpornih kapica (2).

! **Napomena**

Kako biste zaštitili vagu, ostavite zaštitni poklopac na terminalu (3).

- ➔ Vaga je spremna za upotrebu.



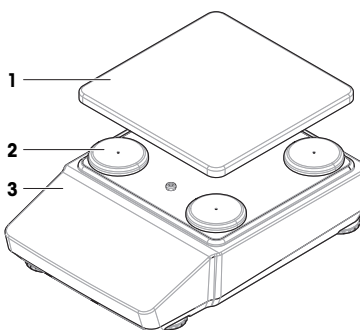
4.3.4 Vage, kompaktne

- Postavite mjernu plohu (1) iznad potpornih kapica (2).

! **Napomena**

Kako biste zaštitili vagu, ostavite zaštitni poklopac na platformi za vaganje (3).

- ➔ Vaga je spremna za upotrebu.



4.4 Pokretanje uređaja

4.4.1 Priključivanje vage



! UPOZORENJE

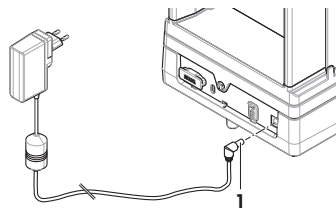
Smrtonosne ili ozbiljne ozljede od strujnog udara

Doticaj s dijelovima pod naponom može dovesti do ozljeda ili smrti.

- 1 Upotrebljavajte isključivo kabel za napajanje METTLER TOLEDO i AC/DC adapter namijenjen za uređaj.
- 2 Priključite kabel za napajanje u uzemljenu strujnu utičnicu.
- 3 Sve električne kabele i priključke držite podalje od tekućina i vlage.
- 4 Provjerite ima li oštećenja na kablama i utikaču za napajanje i zamijenite ih ako su oštećeni.

- 1 Kabele postavite tako da se ne mogu oštetiti ili ometati rad.

- 2 Umetnite utikač AC/DC adaptera (1) u utičnicu za napajanje instrumenta.
- 3 Umetnite utikač kabela za napajanje u uzemljenu strujnu utičnicu koja je lako dostupna.
 - ➔ Vaga se automatski uključuje.



[i] Napomena

Nemojte priključivati instrument u strujnu utičnicu kojom se upravlja sklopkom. Nakon uključivanja instrument se mora zagrijati da bi se dobili točni rezultati.

Vidi također

🔗 Opći podaci ▶ stranica 30

4.4.2 Uključivanje vage

Vaga se automatski uključuje kad se priključi na izvor napajanja.

Aklimatiziranje i zagrijavanje

Za postizanje pouzdanih rezultata vaga se najprije treba:

- aklimatizirati na sobnu temperaturu,
- zagrijati priključivanjem na izvor napajanja.

U poglavlju „Opći podaci“ možete pronaći vrijeme aklimatiziranja i vrijeme zagrijavanja za vage.

[i] Napomena

Vaga je spremna čim izađe iz stanja mirovanja.

Vidi također

🔗 Opći podaci ▶ stranica 30

🔗 Prebacivanje u stanje mirovanja ili iz njega ▶ stranica 22

🔗 Prelazak u način rada s uštedom energije i izlazak iz njega ▶ stranica 22

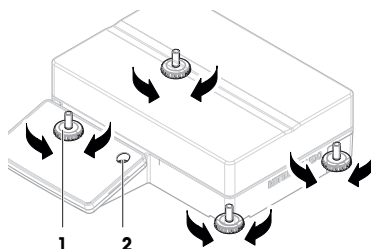
🔗 Isključivanje vage ▶ stranica 22

4.4.3 Niveliranje vage

Precizno vodoravan i stabilan položaj ključni su za dobivanje ponovljivih i točnih rezultata vaganja.

4.4.3.1 Niveliranje velikih vage

- 1 Pričvrstite sve nožice za niveliranje do kraja.
- 2 Odvrnite sve nožice za niveliranje dva do tri okretaja osim stražnje lijeve nožice za niveliranje.
- 3 Okrećite nožice za niveliranje (1) dok mjehurić zraka ne bude u sredini indikatora poravnatosti (2). Postupite kako je prikazano u sljedećem primjeru.
- 4 Odvrnite stražnju lijevu nožicu za niveliranje dok ne dođete površinu stola.
 - ➔ Vaga je nivelirana i podržana na sve četiri nožice za niveliranje.



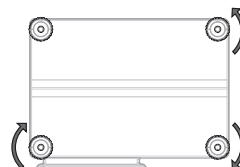
Primjer

Mjehurić zraka na 12 sati:



Okrenite obje prednje nožice u smjeru kazaljke na satu.

Okrenite stražnju desnu nožicu u smjeru suprotnom od kazaljke na satu.

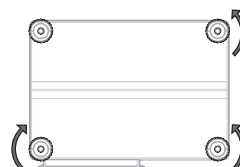


Mjehurić zraka na 3 sata:



Okrenite lijevu prednju nožicu u smjeru kazaljke na satu, desnu prednju nožicu okrenite u smjeru suprotnom od kazaljke na satu.

Okrenite stražnju desnu nožicu u smjeru suprotnom od kazaljke na satu.

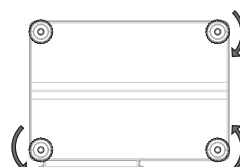


Mjehurić zraka na 6 sata:



Okrenite obje prednje nožice u smjeru suprotnom od kazaljke na satu.

Okrenite stražnju desnu nožicu u smjeru kazaljke na satu.

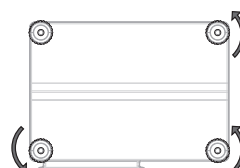


Mjehurić zraka na 9 sata:



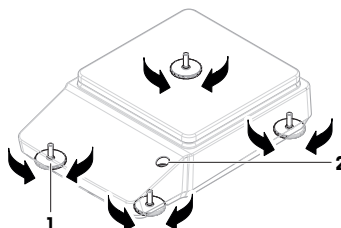
Okrenite obje prednje nožice u smjeru suprotnom od kazaljke na satu.

Okrenite stražnju desnu nožicu u smjeru suprotnom od kazaljke na satu.



4.4.3.2 Niveliranje kompaktnih vaga

- 1 Pričvrstite obje stražnje nožice za niveliranje do kraja.
- 2 Odvrnite obje prednje nožice za niveliranje za dva do tri okretaja.
- 3 Okrećite prednje nožice za niveliranje (1) sve dok mjehurić zraka ne dođe u središte indikatora poravnatosti (2). Postupite kako je prikazano u sljedećem primjeru.
- 4 Odvrnite obje stražnje nožice za niveliranje tako da dodiruju površinu stola.
 - ➔ Vaga je nivelirana i podržana na sve četiri nožice za niveliranje.



Primjer

Mjehurić zraka na 12 sati:



Okrenite obje nožice u smjeru kazaljke na satu.



Mjehurić zraka na 3 sata:



Okrenite lijevu nožicu u smjeru kazaljke na satu, a desnu suprotno od smjera kazaljke na satu.



Mjehurić zraka na 6 sati:



Okrenite obje nožice u smjeru suprotnom od kazaljke na satu.



Mjehurić zraka na 9 sati:

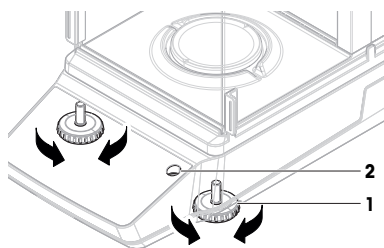


Okrenite lijevu nožicu u smjeru kazaljke na satu, a desnu suprotno od smjera kazaljke na satu.



4.4.3.3 Niveliranje ostalih vaga

- Okrećite nožice za niveliranje (1) dok mjehurić zraka ne bude u sredini indikatora poravnatosti (2).



Primjer

Mjehurić zraka na 12 sati:



Okrenite obje nožice u smjeru kazaljke na satu.



Mjehurić zraka na 3 sata:



Okrenite lijevu nožicu u smjeru kazaljke na satu, a desnu suprotno od smjera kazaljke na satu.



Mjehurić zraka na 6 sati:



Okrenite obje nožice u smjeru suprotnom od kazaljke na satu.






Mjehurić zraka na 9 sati:





Okrenite lijevu nožicu u smjeru kazaljke na satu, a desnu suprotno od smjera kazaljke na satu.



4.4.4 Provođenje internog podešavanja

- 1 Na glavnom zaslonu za vaganje pritisnite .
⇒ Pojavljuje se ADJ.INT.
- 2 Pritisnite .
⇒ Podešavanje je izvršeno.
⇒ Prikazuju se rezultati podešavanja.
- 3 Pritisnite .
⇒ Vaga je spremna za rad.


4.4.5 Prebacivanje u stanje mirovanja ili iz njega

- 1 Za prelazak u stanje mirovanja pritisnite  na manje od 2 s.
 - ➔ Svjetlina zaslona se smanjuje, a informacije na zaslonu su vidljive. Vaga je još uvijek uključena.
- 2 Za izlazak iz stanja mirovanja pritisnite .
 - Umjesto toga možete dodirnuti mjernu plohu ili postaviti uteg na mjernu plohu.
 - ➔ Zaslon je uključen.


4.4.6 Prelazak u način rada s uštedom energije i izlazak iz njega

Napomena

Važno samo za kompaktne vage s baterijskim načinom rada.

- 1 Za prelazak u način rada s uštedom energije pritisnite  manje od 2 s.
 - ➔ Zaslon je isključen. Vaga je u načinu rada s uštedom energije.
- 2 Za izlazak iz načina rada s uštedom energije pritisnite prekidač za uključivanje na stražnjoj strani vage.
 - ➔ Zaslon je uključen.




4.4.7 Isključivanje vage

Kako bi se vaga u potpunosti isključila, potrebno ju je isključiti iz napajanja. Pritiskom na  vaga prelazi samo u stanje mirovanja.

Napomena

Ako je vaga neko vrijeme bila u potpunosti isključena, treba se zagrijati prije upotrebe.

Vidi također

-  Uključivanje vage ▶ stranica 19
-  Prebacivanje u stanje mirovanja ili iz njega ▶ stranica 22
-  Prelazak u način rada s uštedom energije i izlazak iz njega ▶ stranica 22

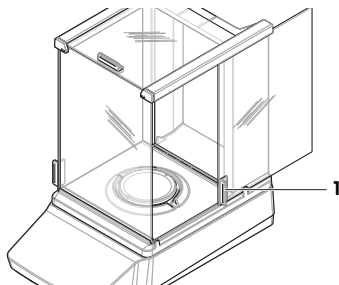
4.5 Jednostavno vaganje

Napomena

Za pojašnjenje postupka korištena je vaga sa staklenim pokrovom. Ako se radi o vagi bez staklenog pokrova, preskočite korake koji se odnose na stakleni pokrov.

4.5.1 Otvaranje i zatvaranje vrata staklenog pokrova

- Vrata otvorite ručno pomoću ručke za vrata (1).



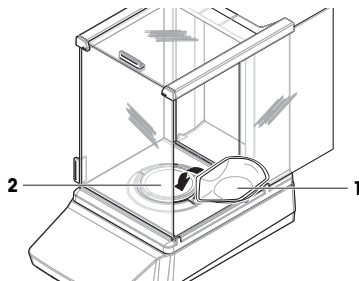
4.5.2 Nuliranje vage

- 1 Otvorite stakleni pokrov.
- 2 Uklonite sav teret s mjerne plohe.
- 3 Zatvorite stakleni pokrov.
- 4 Pritisnite **→0←** da biste vagu postavili na nulu.
 - ➔ Vaga je nulirana.


4.5.3 Tariranje vage

Ako se upotrebljava posuda za uzorak, vaga se mora tarirati.

- Vaga je nulirana.
- 1 Stavite posudu za uzorak (1) na mjernu plohu (2).
- 2 Pritisnite →T← kako biste tarirali vagu.
 - ⇒ Vaga je tarirana. Prikazuje se ikona *Net*.



4.5.4 Vaganje

- 1 Otvorite stakleni pokrov.
- 2 Predmet koji se važe postavite u posudu za uzorak.
- 3 Zatvorite stakleni pokrov.
- 4 Pričekajte dok se ne prestane prikazivati detektor nestabilnosti ○.
 - ⇒ Prikazuju se rezultati.
- 5 Opcionalno, ako je priključen pisac: Pritisnite  za ispis rezultata vaganja.

4.6 Upotreba baterija (kompaktna vaga)

Vaga može raditi i na baterije. U normalnim radnim uvjetima vaga radi neovisno o AC napajanju oko 8 do 15 sati (pomoću alkalnih baterija).

Odmah nakon prekida AC napajanja vaga se automatski prebacuje na baterijsko napajanje. To se može dogoditi, primjerice, povlačenjem utikača ili u slučaju nestanka struje. Nakon što se ponovno uspostavi napajanje izmjeničnom strujom, vaga se automatski prebacuje na rad s izmjeničnom strujom.

Za vagu je potrebno osam standardnih AA baterija (LR6). Poželjne su alkalne baterije.

Mogu se upotrebljavati punjive baterije. Baterije **se ne** mogu puniti unutar vage.

Kad vaga radi na baterije, na zaslonu svijetli simbol baterije. Broj segmenata koji se prikazuju na simbolu baterije pokazuje razinu napunjenosti. Kad su baterije gotovo potpuno ispražnjene, simbol baterije trepće.

Vidi također

 Glavni zaslon za vaganje ▶ stranica 12

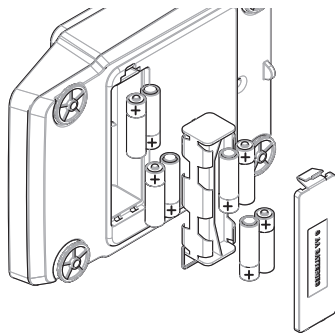
4.6.1 Umetanje ili zamjena baterija

- Pročitajte sva upozorenja i upute proizvođača baterije.
- Nemojte kombinirati različite vrste ili marke baterija. Performanse baterija razlikuju se ovisno o proizvođaču.
- Uklonite bateriju iz vage ako se vaga neće upotrebljavati duže vrijeme.
- Baterije se moraju ispravno odložiti u skladu s lokalnim propisima.

Učinite sljedeće:

- Vaga je isključena.
- Mjerna ploha je uklonjena.
- 1 Pažljivo okrenite vagu na bočnu stranu.

- 2 Otvorite i izvadite poklopac odjeljka za bateriju.
- 3 Umetnite/postavite baterije tako da su polariteti ispravno okrenuti kao što je prikazano u držaču baterije.
- 4 Umetnite i zatvorite poklopac odjeljka za bateriju.
- 5 Pažljivo okrenite vagu u uobičajeni položaj.
- 6 Ponovno vratite sve sastavne dijelove obrnutim redoslijedom.



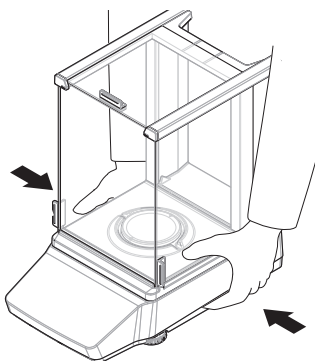
4.7 Prijevoz, pakiranje i skladištenje

4.7.1 Prijenos vage na kraće udaljenosti

- 1 Isključite AC/DC adapter i odspojite sve kabele sučelja.
- 2 Držite vagu objema rukama i nosite je u vodoravnom položaju na ciljno mjesto. Uzmite u obzir zahtjeve mjesta postavljanja.

Ako želite pokrenuti vagu, postupite na sljedeći način:

- 1 Priključite obrnutim redoslijedom.
- 2 Pričekajte da se vaga zagrije.
- 3 Nivelirajte vagu.
- 4 Provedite interno podešavanje.



Vidi također

- 🔗 Odabir mjesta ▶ stranica 14
- 🔗 Uključivanje vage ▶ stranica 19
- 🔗 Niveliranje vage ▶ stranica 19
- 🔗 Provođenje internog podešavanja ▶ stranica 21

4.7.2 Prijenos vage na veće udaljenosti

METTLER TOLEDO preporučuje korištenje originalne ambalaže za prijevoz ili otpremu vage ili komponenata vage na velike udaljenosti. Elementi originalne ambalaže napravljeni su posebno za vagu i njezine komponente te jamče maksimalnu zaštitu tijekom prijevoza.

Vidi također

- 🔗 Raspakiranje vage ▶ stranica 14

4.7.3 Pakiranje i odlaganje

Pakiranje vage

Sačuvajte sve dijelove ambalaže na sigurnom mjestu. Elementi originalne ambalaže napravljeni su posebno za vagu i njezine komponente te jamče maksimalnu zaštitu tijekom prijenosa ili skladištenja.

Spremanje vage

Za pohranjivanje vage pridržavajte se sljedećih uvjeta:

- U zatvorenom prostoru i u originalnoj ambalaži

- U skladu s uvjetima okoline, pogledajte poglavlje „Tehnički podaci“

[i] Napomena

Ako je pohranjujete na dulje od 6 mjeseci, punjiva baterija može se isprazniti (izgubit će se samo podaci o datumu i vremenu).

Vidi također

 Tehnički podaci ▶ stranica 30

5 Održavanje

Da bi se zajamčila funkcionalnost vage i točnost rezultata vaganja, korisnik mora provesti nekoliko radnji na održavanju.



Detaljne informacije možete pronaći u referentnom priručniku.RM

www.mt.com/MA-RM

5.1 Zadaci održavanja

Radnja na održavanju	Preporučeni interval	Napomene
Provođenje internog podešavanja	<ul style="list-style-type: none"> • svakodnevno • nakon čišćenja • nakon niveliranja • nakon promjene lokacije 	pogledajte "Provođenje internog podešavanja"
Izvođenje rutinskih provjera (ispitivanje ekscentričnosti, ispitivanje ponovljivosti, ispitivanje osjetljivosti). METTLER TOLEDO preporučuje izvođenje barem ispitivanja osjetljivosti.	<ul style="list-style-type: none"> • nakon čišćenja • nakon sastavljanja vage • Nakon ažuriranja softvera • ovisno o vašim internim propisima (standardni radni postupci) 	pogledajte "Ispitivanja" u referentnom priručniku
Čišćenje	<ul style="list-style-type: none"> • Nakon svake upotrebe • Ovisno o stupnju onečišćenja • Ovisno o vašim internim propisima (standardni radni postupci) 	pogledajte poglavlje "Čišćenje"
Ažuriranje softvera	<ul style="list-style-type: none"> • Ovisno o vašim internim propisima (standardni radni postupci). • Nakon novog izdanja softvera. 	pogledajte "Ažuriranje softvera" u referentnom priručniku.

Vidi također

 Provođenje internog podešavanja ▶ stranica 21

 Čišćenje ▶ stranica 25

5.2 Čišćenje

5.2.1 Rastavljanje radi čišćenja

[i] Napomena

Ovisno o modelu vage, komponente mogu izgledati drugačije.

[i] Napomena

U većini slučajeva nije potrebno skidati zaštitni poklopac da biste očistili vagu.

5.2.1.1 Vage sa staklenim pokrovom



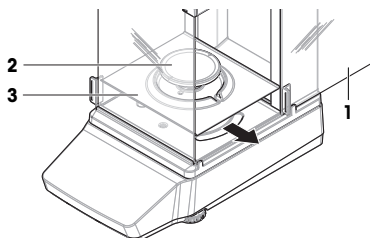
OPREZ

Opasnost od ozljeda zbog oštrih predmeta ili slomljenog stakla

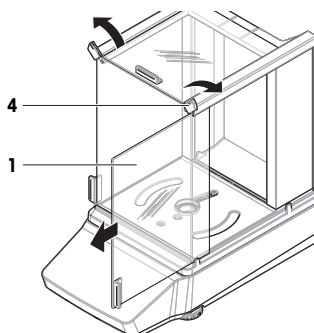
Komponente instrumenta, npr. staklo, mogu se slomiti, a to može dovesti do ozljeda.

- Uvijek radite usredotočeno i pažljivo.

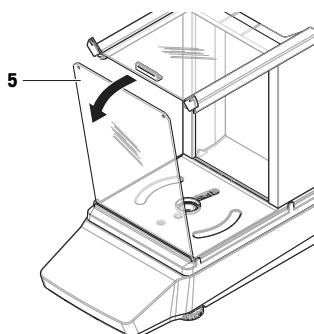
- 1 Potpuno otvorite bočna vrata (1).
- 2 Uklonite mjernu plohu (2) i podložak (3).



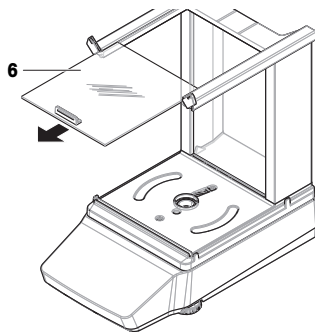
- 3 Okrenite QuickLock (4) i povucite bočna vrata (1) prema naprijed kako biste ih uklonili (desno, lijevo).



- 4 Nagnite prednju ploču (5) prema naprijed i podignite je prema gore kako biste je uklonili.



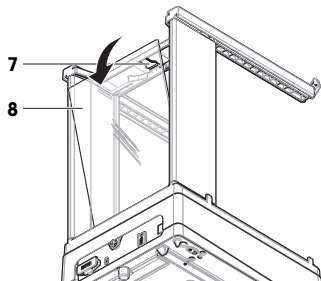
- 5 Povucite gornja vrata (6) prema naprijed kako biste ih uklonili.



- 6 Pritisnite gumb za otpuštanje (7) i nagnite stražnju ploču (8) kako biste je uklonili.

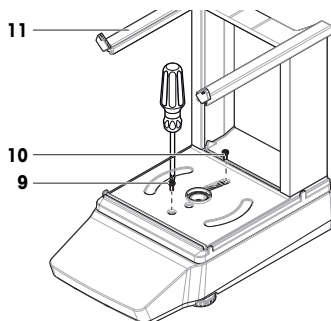
! Napomena

Opcionalno, ako je potrebno: Uklonite zaštitni poklopac radi čišćenja kao što je opisano u nastavku.

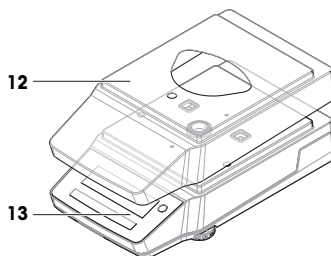


- 7 Uklonite prednji vijak (9) i stražnji vijak (10) križnim odvijačem.

- 8 Uklonite stakleni pokrov (11).



- 9 Uklonite zaštitni poklopac (12) s platforme za vaganje (13).

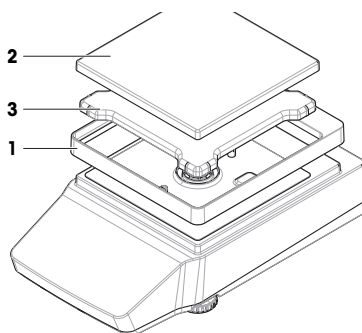


5.2.1.2 Vage bez staklenog pokrova

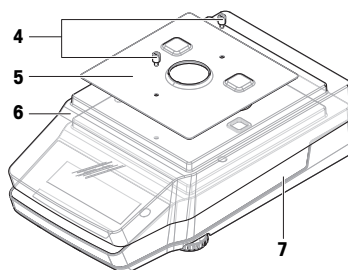
- 1 Uklonite stakleni pokrov (1).
- 2 Uklonite mjernu plohu (2).
- 3 Uklonite držač mjerne plohe (3).

Napomena

Opcionalno, ako je potrebno: Uklonite zaštitni poklopac radi čišćenja kao što je opisano u nastavku.

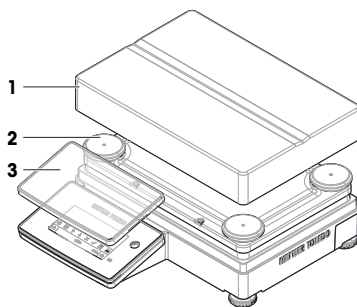


- 4 Uklonite vijke (4) kako biste uklonili EMC ploču (5).
- 5 Uklonite zaštitni poklopac (6) s platforme za vaganje (7).



5.2.1.3 Vage, velike

- 1 Uklonite mjernu plohu (1).
- 2 Skinite potporne čepove (2).
- 3 Opcionalno, ako je potrebno: Uklonite zaštitni poklopac (3) radi čišćenja.



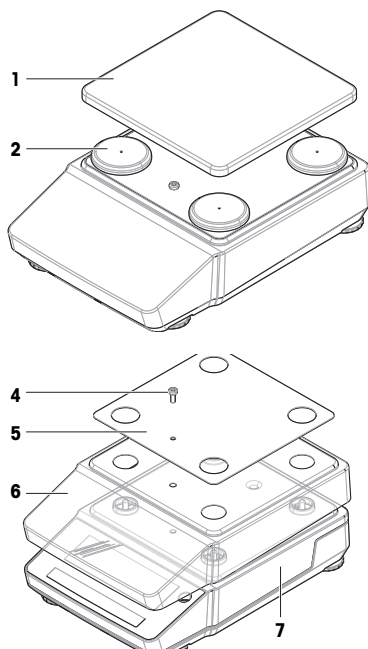
5.2.1.4 Vage, kompaktne

- 1 Uklonite mjernu plohu (1).
- 2 Skinite potporne čepove (2).

Napomena

Opcionalno, ako je potrebno: Uklonite zaštitni poklopac radi čišćenja kao što je opisano u nastavku.

- 3 Uklonite vijke (4) kako biste uklonili EMC ploču (5).
- 4 Uklonite zaštitni poklopac (6) s platforme za vaganje (7).



5.2.2 Čišćenje vage



OBAVIJEST

Opasnost od oštećenja instrumenta zbog neprikladnih načina čišćenja

Ako bilo kakva tekućina uđe u kućište, ona može oštetiti instrument. Površinu instrumenta mogu oštetiti određena sredstva za čišćenje, otapala ili abrazivna sredstva.

- 1 Ne prskajte i ne izlijevajte tekućinu na instrument.
- 2 Koristite samo sredstva za čišćenje navedena u Referentnom priručniku (RM) instrumenta ili vodiču „8 Steps to a Clean Balance“.
- 3 Za čišćenje instrumenta koristite samo blago navlaženu krpnu bez vlakana ili maramicu.
- 4 Odmah obrišite proliveni sadržaj.



Dotadne informacije o čišćenju vage potražite u „8 Steps to a Clean Balance“.

 www.mt.com/lab-cleaning-guide

Čišćenje oko vage

- Uklonite sve nečistoće ili prašinu oko vage i izbjegavajte dodatnu kontaminaciju.

Čišćenje terminala

- Terminal očistite vlažnom krpom ili maramicom i blagim sredstvom za čišćenje.

Čišćenje uklonjivih komponenti

- Očistite sve uklonjene dijelove vlažnom krpom ili maramicom i blagim sredstvom za čišćenje ili ih operite u perilici posuđa na temperaturi do 80 °C.

Čišćenje jedinice za vaganje

- 1 Isključite vagu iz AC/DC adaptera.
- 2 Za čišćenje površine vage upotrebljavajte krpu koja ne ostavlja dlačice navlaženu blagim sredstvom za čišćenje.
- 3 Prvo uklonite prah ili prašinu jednokratnom maramicom.
- 4 Uklonite ljepljive tvari vlažnom krpom koja ne ostavlja dlačice i blagim otapalom, npr. izopropanol ili etanol 70 %.

5.2.3 Puštanje u rad nakon čišćenja

- 1 Ponovno sastavljanje vage.
- 2 Provjerite da li se vrata staklenog pokrova (gornja, bočna) uobičajeno otvaraju i zatvaraju (ako je primjenjivo).
- 3 Ponovno priključite vagu u AC/DC adapter.
- 4 Provjerite status vage, po potrebi je poravnajte.
- 5 Pridržavajte se vremena zagrijavanja navedenog u „Tehničkim podacima“.
- 6 Provedite interno podešavanje.
- 7 Obavite rutinsku provjeru sukladno internim propisima svoje tvrtke. METTLER TOLEDO preporučuje provođenje ispitivanja osjetljivosti nakon čišćenja vage.
- 8 Pritisnite **→0←** da biste vagu postavili na nulu.
 - ⇒ Vaga je spremna za upotrebu.

Vidi također

- 🔗 Niveliranje vage ▶ stranica 19
- 🔗 Tehnički podaci ▶ stranica 30
- 🔗 Provođenje internog podešavanja ▶ stranica 21


5.3 Servis

Redovitim servisiranjem kod ovlaštenog servisnog tehničara osigurava se pouzdanost tijekom sljedećih godina. Za detalje o dostupnim opcijama servisiranja obratite se predstavniku tvrtke METTLER TOLEDO.


6 Tehnički podaci

6.1 Opći podaci

Napajanje

AC/DC adapter:	Ulaz: 100 – 240 V AC ± 10%, 50 – 60 Hz, 0,5 A Izlaz: 12 V DC, 1 A, LPS
Energetska potrošnja vage:	12 V DC ± 10%, 0,5 A
Polaritet:	

Napajanje (opcionarno)

AC/DC adapter:	Ulaz: 100 – 240 V AC ± 10%, 50 – 60 Hz, 0,8 A, 61 – 80 VA Izlaz: 12 V DC, 2,5 A, LPS
Kabel za AC/DC adapter:	trožilni, s utikačem prilagođenim za pojedinu zemlju
Energetska potrošnja vage:	12 V DC ± 10%, 0,5 A
Polaritet:	

Zaštita i standardi

Kategorija prenapona:	II
Stupanj zagađenja:	2
Kod zaštite od prodora vode:	IP43 (samo precizne vage)

Napomena

Navedeni IP postiže se samo kada je vaga spremna za rad. Zaštitni poklopac mora biti postavljen, a čepovi moraju pokriti priključke sučelja.

Standardi za sigurnost i EMC:	Pogledajte Izjavu o sukladnosti
Raspon aplikacija:	Upotrebljavajte isključivo u zatvorenim i suhim prostorima

Uvjeti okoline

Grafične vrijednosti primjenjuju se kad se vaga upotrebljava u sljedećim uvjetima okoline:

Visina iznad prosječne razine mora:	Do 5000 m
Temperatura okoline:	+10 – +30 °C
Promjena temperature, maks.:	5 °C/h
Relativna vlažnost	30 – 70 %, bez kondenzacije
Vrijeme aklimatiziranja:	Preporuka: Do 4 sata za tehničke vage ili do 8 sati za analitičke vage. Te se vrijednosti primjenjuju nakon postavljanja vage na isto mjesto na kojem će se pokrenuti.

Napomena

Vrijeme aklimatiziranja ovisi o očitavanju vage i uvjetima okoline.

Vrijeme zagrijavanja:	Najmanje 30 minuta za precizne vage i 60 minuta za analitičke vage. Ove se vrijednosti primjenjuju nakon priključivanja vage na napajanje. Kada se uključi iz stanja mirovanja, vaga je odmah spremna za rad.
-----------------------	---

Vaga se može upotrebljavati u sljedećim uvjetima okoline. Međutim, radne karakteristike vage mogu biti izvan grafičnih vrijednosti:

Temperatura okoline:	+5 °C – +40 °C
Relativna vlažnost	20 % do maks. 80 % pri 31 °C, smanjuje se linearno na 50 % pri 40 °C, bez kondenzacije

Vaga se može odspojiti i spremiti u svoje pakiranje pod sljedećim uvjetima:

Temperatura okoline:	-25 – +70 °C
Relativna vlažnost	10 – 90%, bez kondenzacije

7 Odlaganje

U skladu s Europskom direktivom 2012/19/EU o otpadu od električne i elektroničke opreme (WEEE), ovaj se uređaj ne smije odlagati u kućni otpad. To vrijedi i za zemlje izvan EU-a u skladu s njihovim posebnim zahtjevima.

Proizvod odlažite u skladu s lokalnim propisima na mjesto određeno za prikupljanje otpada električne i elektroničke opreme. Ako imate pitanja, obratite se nadležnim tijelima ili prodavaču kod kojega ste kupili ovaj uređaj. Ako se ovaj uređaj prosljedi drugim stranama, sadržaj ove uredbe također mora biti povezan.



8 Informacije o sukladnosti

Dokumentacija s nacionalnim odobrenjem, npr. FCC Izjava o sukladnosti dobavljača, dostupni su na mreži i/ili su uključeni u pakiranje.

► www.mt.com/ComplianceSearch



Detaljne informacije možete pronaći u referentnom priručniku.RM

► www.mt.com/MA-RM

Tartalomjegyzék

1	Bevezetés	3
1.1	A dokumentum célja.....	3
1.2	További dokumentumok és információk.....	3
1.3	Rövidítések.....	3
2	Biztonsági információk	4
2.1	Figyelmeztető szavak és szimbólumok definíciója.....	4
2.2	Termékspecifikus biztonsági megjegyzések.....	5
3	Kialakítás és működés	5
3.1	Az analitikai mérlegek áttekintése.....	6
3.2	A kis méretű precíziós mérlegek áttekintése.....	6
3.3	Nagy méretű precíziós mérlegek áttekintése.....	7
3.4	A kompakt precíziós mérlegek áttekintése.....	7
3.5	A kijelző áttekintése.....	8
3.6	Interfész-csatlakozások áttekintése.....	9
3.7	Az alkatrészek leírása.....	9
3.7.1	Huzatvédő.....	9
3.7.2	Mérőserpenyő.....	9
3.7.3	Kármentő tálcá.....	9
3.7.4	Ajtófogantyú.....	10
3.7.5	Vízszintbeállító lábak.....	10
3.7.6	Kijelző.....	10
3.7.7	QuickLock az ajtókhöz és az előlaphoz.....	10
3.7.8	Hátlap kioldó gomb.....	11
3.8	Felhasználói felület.....	11
3.8.1	A főbb részek dióhéjban.....	11
3.8.2	Fő mérési képernyő.....	12
4	Telepítés és üzembe helyezés	14
4.1	A hely kiválasztása.....	14
4.2	A mérleg kicsomagolása.....	15
4.3	Telepítés.....	15
4.3.1	Huzatvédővel felszerelt mérlegek.....	16
4.3.2	Huzatvédő nélküli mérlegek.....	18
4.3.3	Nagy méretű mérlegek.....	18
4.3.4	Kompakt mérlegek.....	18
4.4	Üzembe helyezés.....	19
4.4.1	A mérleg csatlakoztatása.....	19
4.4.2	A mérleg bekapcsolása.....	19
4.4.3	A mérleg vízszintezése.....	19
4.4.3.1	Nagy mérlegek vízszintezése.....	20
4.4.3.2	Kompakt mérlegek vízszintezése.....	20
4.4.3.3	Az összes többi mérleg vízszintezése.....	21
4.4.4	Belső beszabályozás végrehajtása.....	21
4.4.5	Belépés/kilépés a készenléti üzemmódból.....	22
4.4.6	Belépés/Kilépés az alvó üzemmódba vagy az üzemmódból.....	22
4.4.7	A mérleg kikapcsolása.....	22
4.5	Egyszerű mérés végrehajtása.....	22
4.5.1	A huzatvédő ajtók nyitása és zárása.....	22
4.5.2	A mérleg nullázása.....	22
4.5.3	A mérleg tárazása.....	23
4.5.4	Tömegmérés.....	23

4.6	Elemek használata (kompakt mérleg)	23
4.6.1	Az elemek behelyezése/cseréje	23
4.7	Szállítás, csomagolás és tárolás.....	24
4.7.1	A mérleg szállítása kis távolságra.....	24
4.7.2	A mérleg szállítása nagy távolságra.....	24
4.7.3	Csomagolás és tárolás.....	24
5	Karbantartás	25
5.1	Karbantartási feladatok	25
5.2	Tisztítás	25
5.2.1	Szét szerelés a tisztításhoz	25
5.2.1.1	Huzatvédővel felszerelt mérlegek	26
5.2.1.2	Huzatvédő nélküli mérlegek	28
5.2.1.3	Nagy méretű mérlegek	28
5.2.1.4	Kompakt mérlegek.....	29
5.2.2	A mérleg tisztítása	29
5.2.3	Üzembe helyezés tisztítás után	30
5.3	Szolgáltatások	30
6	Műszaki adatok	30
6.1	Általános adatok	30
7	Selejtezés	31
8	Megfelelőségi információk	31

1 Bevezetés

Köszönjük, hogy METTLER TOLEDO mérleget választott! A készülék ötvözi a magas teljesítmény és az egyszerű használat előnyeit.

Végfelhasználói licencszerződés

A termékhez tartozó szoftverre a METTLER TOLEDO Végfelhasználói licencszerződése (EULA) vonatkozik.

A termék használatával Ön elfogadja az EULA feltételeit.

▶ www.mt.com/EULA

1.1 A dokumentum célja

Ez a használati útmutató röviden ismerteti az eszköz használatának első lépéseit. Ez a dokumentum garantálja a biztonságos és hatékony kezelést. Olvassa át gondosan a jelen kézikönyvet, mielőtt bármilyen műveletbe kezdene a készüléken.

1.2 További dokumentumok és információk

A dokumentum online rendelkezésre áll egyéb nyelveken.



▶ www.mt.com/MA-UM

Termékkoldal:

▶ www.mt.com/MA-balances

Utasítások a mérleg tisztításához: „8 Steps to a Clean Balance“:

▶ www.mt.com/lab-cleaning-guide

Szoftver keresése:

▶ www.mt.com/labweighing-software-download

Dokumentumok keresése:

▶ www.mt.com/library

További kérdéseivel forduljon a METTLER TOLEDO hivatalos forgalmazójához vagy képviselőjéhez.

▶ www.mt.com/contact

1.3 Rövidítések

Eredeti kifejezés	Lefordított kifejezés	Magyarázat
AC		Alternating Current (Váltakozó áram)
ASTM		American Society for Testing and Materials (Vizsgálatok és anyagok amerikai szabványügyi intézete)
DC		Direct Current (Egyenáram)
EMC		Electromagnetic Compatibility (Elektromágneses kompatibilitás)
FCC		Federal Communications Commission (Szövetségi kommunikációs bizottság)
GWP		Good Weighing Practice
HID		Human Interaction Device (Emberi interfész eszköz)

ID	Identification (Azonosító)
IP	Ingress Protection
LAN	Local Area Network (Helyi hálózat)
LED	Light-Emitting Diode
LPS	Limited Power Source (Korlátozott áramforrás)
MAC	Media Access Control
MT-SICS	METTLER TOLEDO Standard Interface Command Set (METTLER TOLEDO standard interfészkeszlet)
NA	Not Applicable (Nem alkalmazható)
OIML	Organisation Internationale de Métrologie Légale (Nemzetközi metrológiai szervezet)
RAM	Random Access Memory
RM	Reference Manual (Referencia kézikönyv)
SOP	Standard Operating Procedure (Szabványműveleti előírások)
UM	User Manual (Felhasználói útmutató)
USB	Universal Serial Bus (Univerzális soros busz)
USP	United States Pharmacopeia (Amerikai gyógyszerkönyv)

2 Biztonsági információk

Ehhez a műszerhez két dokumentum áll rendelkezésre: "felhasználói kézikönyv" és "referenciakézikönyv".

- A felhasználói kézikönyv különböző nyelveken érhető el az interneten.
- A felhasználói kézikönyv nyomtatott változatát a műszerhez mellékeljük.
- A referencia-kézikönyv online elérhető. A referencia-kézikönyvben a műszer részletes leírása és használatának módja szerepel.
- Későbbi használatához őrizze meg mindkét dokumentumot.
- Amennyiben egy harmadik félnek adja át a műszert, a dokumentumokat is mellékelje hozzá.

Kizárólag a felhasználói kézikönyvben és a referenciakézikönyvben leírtak szerint használja a műszert. Ha nem ezen útmutatók szerint kezeli, illetve ha módosítást hajt végre a műszeren, a készülék károsodhat, amelyért a gyártó nem Mettler-Toledo GmbH vállal felelősséget.

2.1 Figyelmeztető szavak és szimbólumok definíciója

A biztonsági megjegyzések a biztonsági problémákkal kapcsolatban szolgálnak fontos információkkal. A biztonsági megjegyzések figyelmen kívül hagyása személyi sérülést, a műszer sérülését, meghibásodását, és hibás eredményeket okozhat. A biztonsági megjegyzéseket a következő figyelmeztető szavakkal és szimbólumokkal jelöljük:

Figyelemfelhívó szavak

VESZÉLY Nagy kockázatú veszélyes helyzet, mely komoly sérülésekhez vagy halálhoz vezet, ha nem elővigyázatos.

- FIGYELMEZTETÉS** Közepes kockázatú robbanásveszélyes helyzet, mely komoly sérülésekhez vagy halálhoz vezethet, ha nem elővigyázatos.
- VIGYÁZAT** Alacsony kockázatú robbanásveszélyes helyzet, mely kis vagy közepes sérülésekhez vezethet, ha nem elővigyázatos.
- ÉRTESÍTÉS** Alacsony kockázatú robbanásveszélyes helyzet, mely a műszer károsodását, egyéb anyagi károkat, meghibásodásokat, hibás eredményeket vagy adatvesztést okozhat.

Figyelmeztető szimbólumok



Általános veszély



Értesítés

2.2 Termék-specifikus biztonsági megjegyzések

A műszer rendeltetése

A készüléket szakképzett felhasználók részére tervezték. A műszer tömegmérésre szolgál.

Bármilyen más jellegű, illetve a Mettler-Toledo GmbH által meghatározott használati korlátokat túllépő használatot a Mettler-Toledo GmbH írásos hozzájárulásának hiányában nem rendeltetésszerű használatnak tekintünk.

A műszer tulajdonosának kötelezettségei

A műszer tulajdonosa az a személy, aki jogosan birtokolja a műszert, egyúttal használja, illetve a használatára más személyt felhatalmaz; vagy az a személy, aki a törvény értelmében a műszer kezelőjének minősül. A műszer tulajdonosa felelős a műszert használó összes személy, valamint a harmadik felek biztonságáért.

Mettler-Toledo GmbH feltételezi, hogy a műszer tulajdonosa betartja a felhasználókat a műszernek a munkahelyen történő biztonságos kezelésére, valamint az esetleges veszélyforrásokkal való bánásmódról. A Mettler-Toledo GmbH feltételezi, hogy a műszer tulajdonosa rendelkezésre bocsátja a szükséges védőfelszerelést.

Biztonsági megjegyzések



FIGYELMEZTETÉS

Halált vagy súlyos sérülést okozó áramütés veszélye

Az áram alatt lévő alkatrészek érintése sérülést vagy halált okozhat.

- 1 Kizárólag a műszerhez készült METTLER TOLEDO tápkábelt és hálózati adaptert használja.
- 2 Földelt konnektorba csatlakoztassa a tápkábelt.
- 3 Ügyeljen arra, hogy az elektromos kábeleket és csatlakozókat ne érje folyadék vagy nedveség.
- 4 Ellenőrizze a kábelek és a tápcsatlakozó épségét; a sérült kábeleket és tápcsatlakozókat cserélje ki.



ÉRTESÍTÉS

A műszer károsodása vagy hibás működése nem megfelelő alkatrészek használata miatt

- Csak a METTLER TOLEDO által szállított olyan alkatrészeket használjon, amelyek a készülékkel való használatra szolgálnak.

A pótalkatrészek és kiegészítők listája a Referencia-kézikönyvben található.

3 Kialakítás és működés

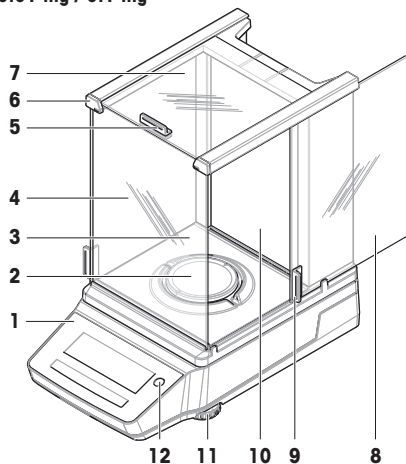


A részletes információkért tekintse meg a Referencia-kézikönyvet (RM).

www.mt.com/MA-RM

3.1 Az analitikai mérlegek áttekintése

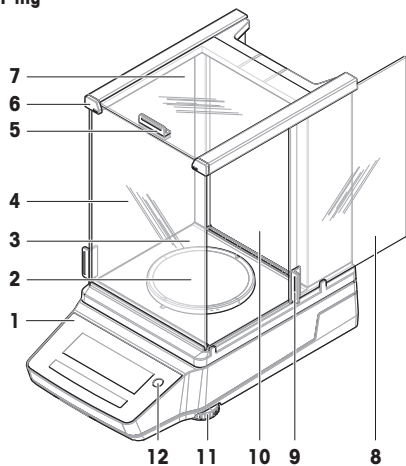
0.01 mg / 0.1 mg



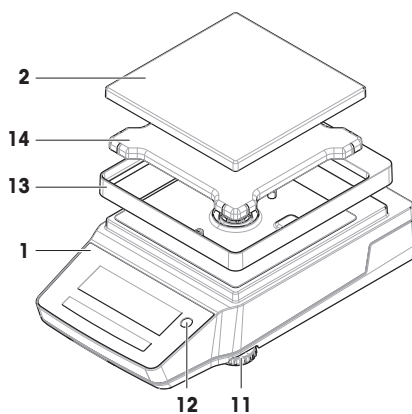
1	Kijelző	7	Felső ajtó huzatvédő
2	Mérőserpenyő	8	Oldalajtó, huzatvédő (bal/jobb)
3	Kármentő tálcá	9	Oldalajtó fogantyúja
4	Előlap huzatvédő	10	Hátlap huzatvédő
5	Felső ajtó fogantyúja	11	Vízszintbeállító lábak
6	QuickLock, előlap	12	Vízszintjelző

3.2 A kis méretű precíziós mérlegek áttekintése

1 mg



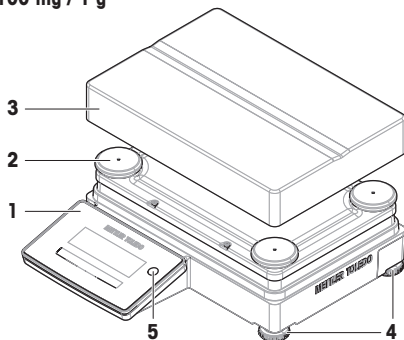
10 mg / 100 mg



1	Kijelző	8	Oldalajtó, huzatvédő (bal/jobb)
2	Mérőserpenyő	9	Oldalajtó fogantyúja
3	Kármentő tálcá	10	Hátlap huzatvédő
4	Előlap huzatvédő	11	Vízszintbeállító lábak
5	Felső ajtó fogantyúja	12	Vízszintjelző
6	QuickLock, előlap	13	Huzatvédő elem
7	Felső ajtó huzatvédő	14	Mérőserpenyő-tartó

3.3 Nagy méretű precíziós mérlegek áttekintése

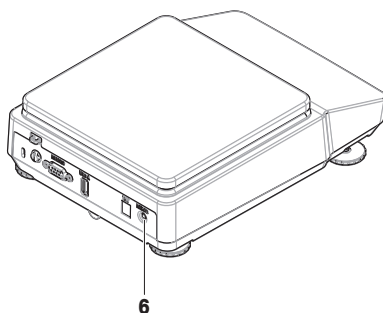
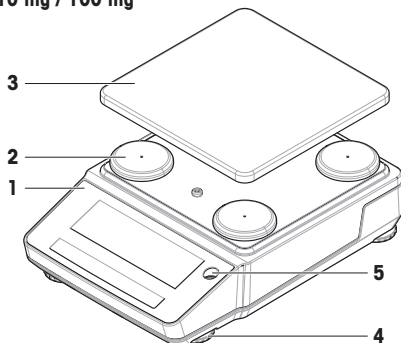
100 mg / 1 g



1	Kijelző	4	Vízszintbeállító lábak
2	Mérőserpenyőtartó-sapka	5	Vízszintjelző
3	Mérőserpenyő		

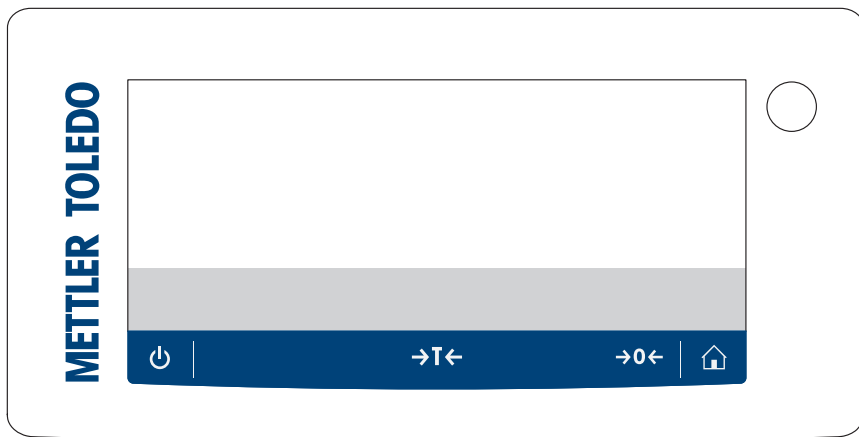
3.4 A kompakt precíziós mérlegek áttekintése







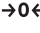

10 mg / 100 mg



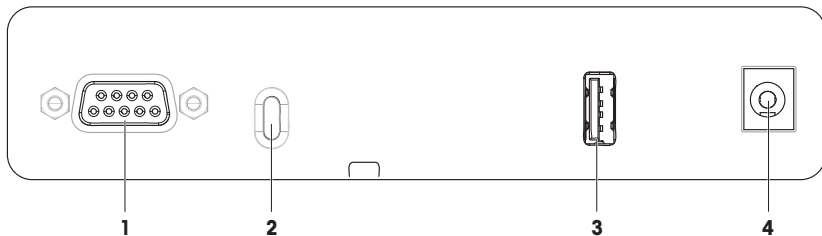
1	Kijelző	4	Vízszintbeállító lábak
2	Mérőserpenyőtartó-sapka	5	Vízszintjelző
3	Mérőserpenyő	6	Ébresztőkapcsoló (elemes üzemmód)

3.5 A kijelző áttekintése



	Név	Leírás
	Készenlét	<p>A  gombra koppintva a mérleg nem kapcsol ki teljesen, hanem készenléti üzemmódra vált. A mérleget a teljes kikapcsoláshoz le kell választani a hálózati tápellátásról.</p> <p> Jegyezd Ne válassza le a mérleget a hálózati tápellátásról, kivéve, ha hosszabb időre használaton kívül helyezi. A pontos mérés érdekében a készüléket bekapcsolás után hagyni kell bemelegedni.</p> <p> Jegyezd Kompakt mérlegek csak elemes üzemmódban: A(z)  gombra koppintva a mérleg teljesen kikapcsol. Nincs készenléti üzemmód.</p>
	Tárázás	<p>A mérleg tárázása.</p> <p>Ezt a funkciót akkor használják, amikor a tömegmérési folyamathoz edények is kellene. A mérleg tárázását követően a képernyőn ezt mutatja: <i>Net</i>, vagyis valamennyi megjelenő tömeg nettó tömeg.</p>
	Nullázás	<p>Nullázza a mérleget.</p> <p>A (tömeg)mérési folyamat kezdete előtt a mérleget mindig le kell nullázni. Nullázást követően a mérleg új nullpontot állít be.</p>
	Kezdőlap	<p>Visszatérés az aktuálisan beállított vagy a legutóbb használt alkalmazás fő mérési képernyőjére bármely beállítási menüszintről.</p>

3.6 Interfész-csatlakozások áttekintése

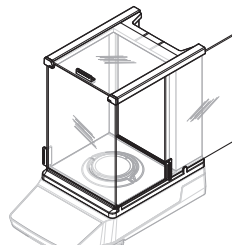


1	RS232C soros interfész	3	USB-A port
2	Lopásgátló kábel foglalat	4	Hálózati aljzat AC/DC adapterhez

3.7 Az alkatrészek leírása

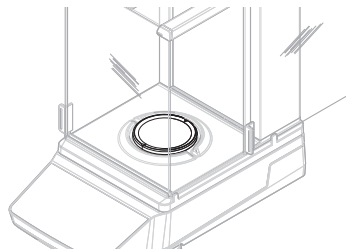
3.7.1 Huzatvédő

A huzatvédő védi a mérési területet a környezeti hatásoktól, például a huzattól vagy a nedvességtől. Az oldalajtó és a felső ajtó kézzel nyitható.



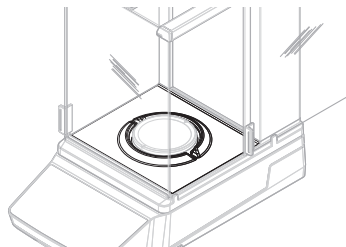
3.7.2 Mérőserpenyő

A mérőserpenyő az a terhelésérzékelő, amely a mérési tétel befogadására szolgál.



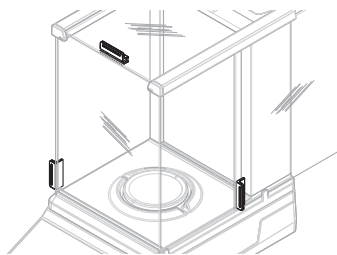
3.7.3 Kármentő tálca

A kármentő tálca a mérőserpenyő alatt helyezkedik el. A kármentő tálca elsődleges célja a mérleg gyors tisztítása.



3.7.4 Ajtófogantyú

Az ajtófogantyúk a huzatvédő ajtókra vannak szerelve. A fogantyúkat az oldalajtók és a huzatvédő felső ajtajának kézi kinyitására szolgálják.

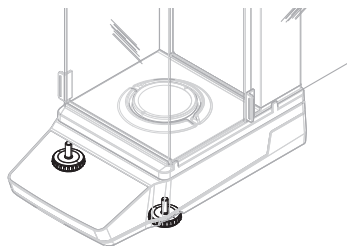


3.7.5 Vízszintbeállító lábak

A mérleg állítható magasságú lábakon áll. A lábak a mérleg vízszintezésére szolgálnak.

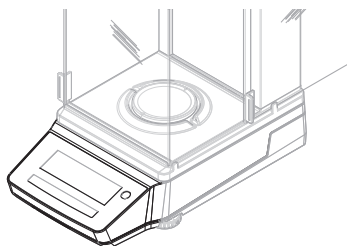
Jegyezd

A nagyméretű mérlegek és a kompakt mérlegek négy vízszintbeállító lábbal rendelkeznek.



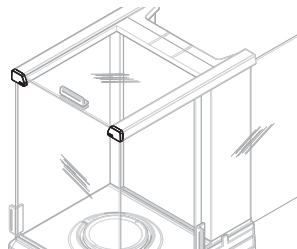
3.7.6 Kijelző

A terminál a mérlegbe van integrálva, és LCD-kijelzővel rendelkezik. A terminált és a tömegmérő platformot cserélhető burkolat védi.



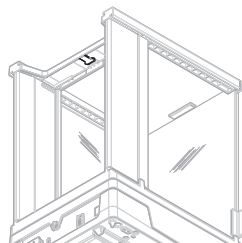
3.7.7 QuickLock az ajtóhoz és az előlaphoz

A helyzettől függően a(z) QuickLock a felső ajtó, az oldalajtók és a huzatvédő előlapjának zárására/hyítására szolgál.



3.7.8 Hátlap kioldó gomb

A kioldógomb a huzatvédő hátlapjának zárására/nyitására szolgál.



3.8 Felhasználói felület

3.8.1 A főbb részek dióhéjban



A fő mérési képernyő (1) megjeleníti a mérési eredményeket, és visszajelzést ad a mérleg állapotáról. A kezelőgombok (2) a fő navigációs elemek, ahol az összes menü és beállítás elérhető és kiválasztható.



	Név	Leírás
1	Fő mérési képernyő	Megjeleníti a tömegmérési eredményeket, és információt nyújt a mérleg állapotáról.
2	Kezelőgombok	Hozzáférést biztosít a mérleg menüihez és funkcióihoz.

Kezelőgombok

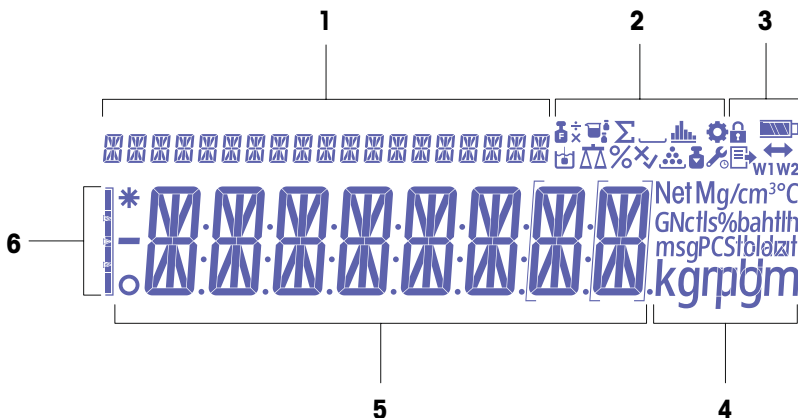
	Név	Leírás
	Beállítások	A beállítások menüjének elérése.
	Alkalmazások	Az alkalmazások menüjének elérése.
	Előző / Fel / Növelés	<ul style="list-style-type: none">Lapozás felfelé a témák listájában.Átkapcsolás az 1., 2. egység és az alkalmazási egység között (ha elérhető).Számok növelése.Egy alkalmazáson belül egy rögzített súly hozzáadása.
	Következő / Le / Csökkentés	<ul style="list-style-type: none">Lefelé görget a témák listájában.Átkapcsolás az 1., 2. egység és az alkalmazási egység között (ha elérhető).Számok csökkentése.
	Visszavonás	Feladat megszakítása vagy kilépés a menüből mentés nélkül.

	Név	Leírás
✓	Elfogadás	<ul style="list-style-type: none"> A kiválasztott menü megnyitása. A kiválasztott alkalmazás elindítása. Bevitel megerősítése.
	Beszabályozás	Végrehajlja az előre meghatározott beállítási folyamatot.
	Nyomatás / Küldés	<ul style="list-style-type: none"> Kijelzett érték nyomtatása. Az aktív felhasználói menü beállításainak nyomtatása. Adatátvitel az előre meghatározott célhelyre.

Lásd itt is:



[Fő mérési képernyő](#) ▶ 12. oldal









3.8.2 Fő mérési képernyő















1	Képzési szöveg	4	Eszközszimbólumok
2	Alkalmazásikonok	5	Tömegérték / menücímké / paramétercímké / paraméterérték
3	Állapotikonok	6	Mérési segédlet

Alkalmazásikonok

	Név	Leírás
	"Arányossági tényező mérés" alkalmazás	Az alkalmazás "Arányossági tényező mérés" eloszt egy előre meghatározott tényezőt a tömegértékkel (grammban): eredmény = tényező / tömeg Az eredményt meghatározott számú tizedesjegyre kerekíti.
	"Szorzótényező mérés" alkalmazás	A "Szorzótényező mérés" alkalmazása megszorozza a tömegértéket (grammban) egy előre meghatározott tényezővel: eredmény = tényező × tömeg Az eredményt meghatározott számú tizedesjegyre kerekíti.

	Név	Leírás
	"Receptúra" alkalmazás	A "Receptúra" (nettó össz.) alkalmazásnak több célja is van. <ul style="list-style-type: none"> Leméri (hozzáadja és tárolja) akár 999 egyedi komponens súlyát, és megjeleníti az összeget. Ha van nyomtató csatlakoztatva, a komponensek tömege egyesével és összesítve is kinyomtatódik. Tárálja/előtárálja és tárolja akár 999 edény tömegét és megjeleníti az összeget. Ha van nyomtató csatlakoztatva, a letárolt tömegek egyenként és összesítve is kinyomtatódnak. Feltölti az összes komponens nettó össztömegét úgy, hogy újabb komponst ad hozzá egy magasabb értékhez.
	"Összegzés" alkalmazás	Az "Összegzés" alkalmazás lehetővé teszi, hogy lemérje a különböző mintákat, és összeadja a tömegeket. 1-999 minta lehetséges.
	"Statiztika" alkalmazás	A "Statiztika" alkalmazás lehetővé teszi, hogy statisztikát készítsen tömegértékekből. 1-999 érték lehetséges.
	"Dinamikus mérés" alkalmazás	A "Dinamikus mérés" alkalmazás lehetővé teszi, hogy meghatározza a nem stabil minták tömegét, vagy meghatározza a tömegeket nem stabil környezeti feltételek mellett. A mérleg kiszámítja a tömeget meghatározott időn belül történő több mérés átlagolásával.
	Alkalmazás Sűrűség	Az alkalmazás Sűrűség szilárd testek és folyadékok sűrűsége határozható meg. A sűrűség meghatározása "Arkhimédész törvénye" alapján történik, amely szerint minden folyadékba mártott test a súlyából annyit vesz, amennyi az általa kiszorított folyadék súlya.
	Alkalmazás Tömeg-mérés	Az alkalmazás Tömeg-mérés egyszerű tömegmérési feladatokhoz vagy mérési sorozatok végrehajtásához használható.
	Alkalmazás Tömegellenőrzés	Az alkalmazás Tömegellenőrzés lehetővé teszi, hogy ellenőrizze a minta tömegének eltéréseit egy toleranciahatáron belül egy referencia céltömeghez képest.
	Alkalmazás Darabszámlálás	Az alkalmazás Darabszámlálás lehetővé teszi a mérőserpenyőre helyezett darabszámot.

Állapotikonok

	Név	Leírás
	Menübeállítások aktiválva	A menübeállítások aktiválódnak és módosíthatók.
	Menübeállítások blokkolva	A menübeállítások zárolva vannak és nem módosíthatók.
	A belső beszabályozás elkezdődött	A mérleg belső beszabályozása elkezdődött.
	Szervizemlékeztető	A következő szerviz esedékes.
	Adatok kinyerése	Adatok közzététele folyamatban.
	Elem töltöttségi állapota	Kizárólag kompakt mérlegek: Az elem töltöttségi szintjét jelzi. <ul style="list-style-type: none"> : Teljes töltöttség : 3/4 töltöttségű elem : 1/2 töltöttségű elem : 1/4 töltöttségű elem : Az elem lemerül
	Csatlakozási lehetőségek	Adatkapcsolat egy másik eszközzel.

	Név	Leírás
W1	1. mérési tartomány	Az 1. tömegmérési tartomány aktív.
W2	2. mérési tartomány	A 2. tömegmérési tartomány aktív.
Net	Nettó tömegértékek	A "Net" felirat azt jelenti, hogy minden kijelzett tömeg nettó érték.
G	Bruttó tömegértékek	A bruttó tömegértékek megjelennek.
M	Tárolt érték (Memória)	A mérleg memóriájában tárolt értékek megjelennek.

Szimbólumok a címkén

	Név	Leírás
*	Kalkulált érték	Jelzi, hogy a megjelenített értéket kiszámolta.
o	Instabil érték	Jelzi, hogy a kijelzett érték instabil, ami azt jelenti, hogy az idő múlásával változik.
{ }	Nem hitelesített számjegyek	A zárójel nem hitelesített számjegyeket jelöl (csak a hitelesített mérlegtípusoknál).

4 Telepítés és üzembe helyezés

4.1 A hely kiválasztása

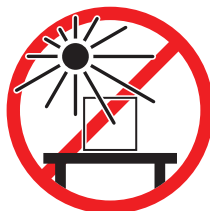
A mérleg érzékeny precíziós műszer. Elhelyezése nagyban befolyásolja a mérési eredmények pontosságát.

A helyvel szembeni követelmények

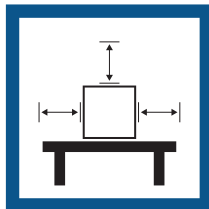
Belferben, stabil asztalon helyezze el



Óvja a közvetlen napfénytől



Biztosítsa a megfelelő távolságot



Óvja a rezgésektől



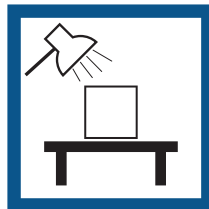
Állítsa vízszintbe a műszert



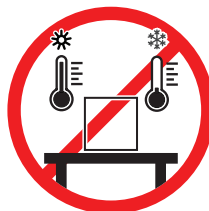
Óvja az erős huzattól



Biztosítsa a megfelelő megvilágítást



Óvja a hőingadozástól



Vegye figyelembe a környezeti feltételeket. Lásd "Műszaki adatok".

Élelséges távolság a mérleg esetén: > 15 cm a készülék körül

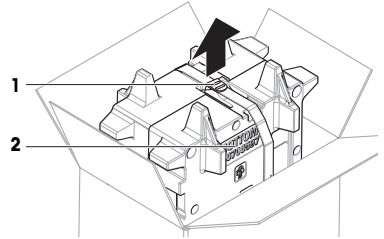
4.2 A mérleg kicsomagolása

Ellenőrizze, hogy nem sérült-e a csomagolás, a csomagolóanyagok és a kiszállított termék. Ha bármelyik részegység sérült, vegye fel a kapcsolatot a METTLER TOLEDO szervizképviseletével.

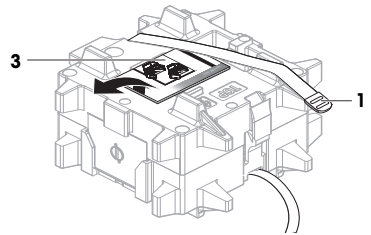
1 Jegyezze

A mérlegmodelltől függően a csomagolási elemek és az alkatrészek eltérőek lehetnek.

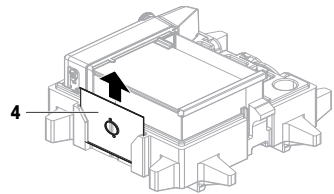
- 1 Nyissa ki a dobozt és vegye ki a csomagot az emelőhevederrel (1).
- 2 Helyezze a csomagot vízszintes felületre úgy, hogy a(z) BOTTOM (2) felirat lefelé nézzen.



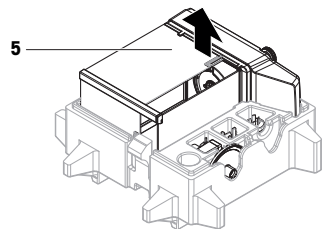
- 3 Oldja ki az emelőhevedert (1), és vegye ki a Felhasználói útmutatót (3).



- 4 Vegye ki a csomag felső részét, és óvatosan csomagolja ki a kármentítő tálcát (4).



- 5 Óvatosan csomagolja ki a mérleget (5) és az összes többi elemet.
- 6 Vegye le a védőtasakot.
- 7 Tartsa a védőburkolatot a tömegmérő platformon és a terminálon.
- 8 Őrizze meg a csomagolás minden részét, mert a későbbiekben még szüksége lehet rá.
➔ A mérleg most már készen áll az összeszerelésre.



4.3 Telepítés

1 Jegyezze

Az egyes mérlegmodellek különbözőképpen néznek ki.

4.3.1 Huzatvédővel felszerelt mérlegek



VIGYÁZAT

Éles tárgyak vagy törött üveg miatti sérülésveszély

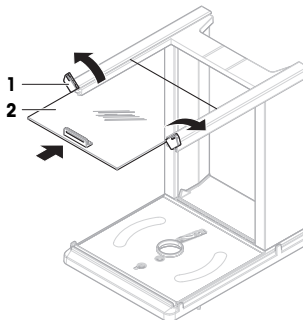
A műszer részegységei, pl. az üveg eltörhet, és sérülést okozhat.

- Mindig odafigyeléssel, körültekintően járjon el.

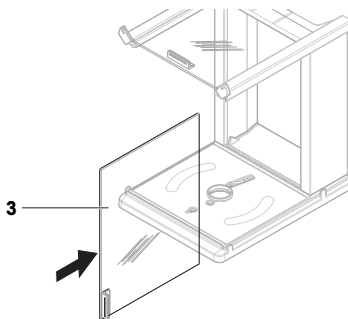
1 Jegyezd

A mérleg első kicsomagolásakor vagy ha a huzatvédő már össze van szerelve és ráerősítve mérlegplatformra, ugorja át az 1–5. lépést.

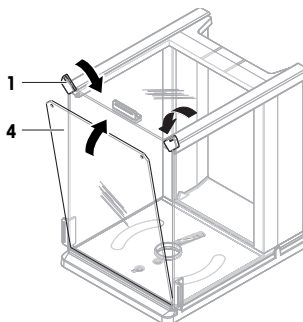
- 1 A huzatvédő felszerelése: Fordítsa el a QuickLock-ot: (1, jobb, bal), és csúsztassa be a felső ajtót (2).



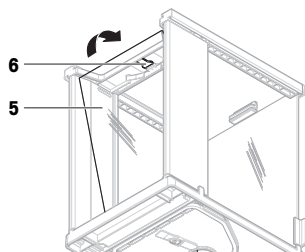
- 2 Csúsztassa be az oldalajtót (3) (jobb, bal).



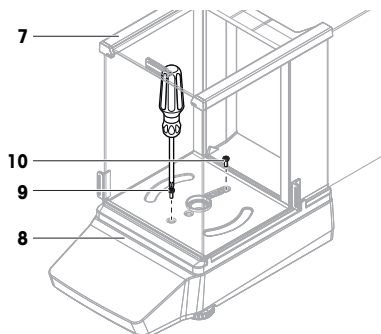
- 3 Helyezze fel az előlapot (4), majd fordítsa el a QuickLock-ot (1, jobb, bal) a panel rögzítéséhez.



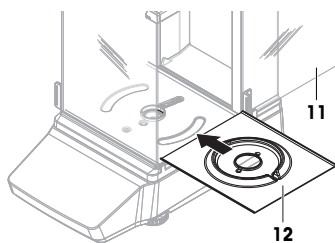
- 4 Helyezze fel a hátlapot (5). Ügyeljen arra, hogy a kioldógomb (6) bepattanjon.



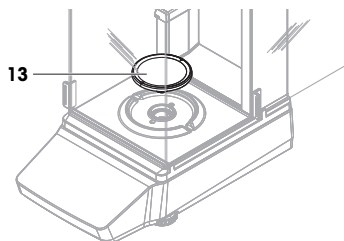
- 5 Rögzítse a huzatvédőt (7) a tömegmérő platformhoz (8) az előlső csavar (9) és a hátsó csavar meghúzásával (10) egy csillagfejű csavarhúzóval.



- 6 Nyissa ki teljesen az oldalajtókat (11)
7 Helyezze be a kármentő tálcát (12).

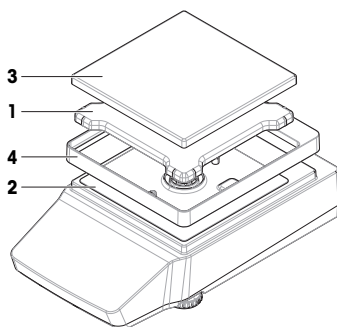


- 8 Helyezze fel a mérőserpenyőt(13).
➔ A mérleg ezután használatra kész.



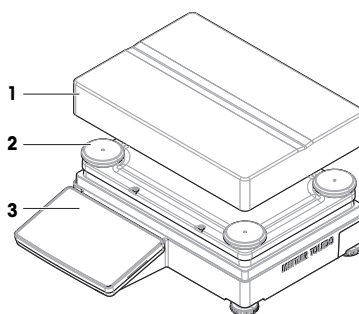
4.3.2 Huzatvédő nélküli mérlegek

- 1 Helyezze a mérőserpenyő-tartót (1) a tömegmérő platform (2) tetejére.
Jegyezd
A mérleg védelme érdekében a védőburkolat (2) mindig legyen a tömegmérő platformra felszerelve.
- 2 Helyezze a mérőserpenyőt (3) a mérőserpenyőtartó-sapkák (1) tetejére.
- 3 Helyezze a huzatvédő elemet (4) a tömegmérő platform tetejére (2).
➔ A mérleg ezután használatra kész.



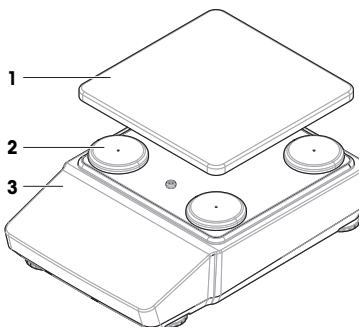
4.3.3 Nagy méretű mérlegek

- Helyezze a mérőserpenyőt (1) a mérőserpenyőtartó-sapkák (2) tetejére.
Jegyezd
A mérleg védelme érdekében mindig legyenek védőburkolatok felszerelve a terminálon (3).
➔ A mérleg ezután használatra kész.



4.3.4 Kompakt mérlegek

- Helyezze a mérőserpenyőt (1) a mérőserpenyőtartó-sapkák (2) tetejére.
Jegyezd
A mérleg védelme érdekében a védőburkolat (3) mindig legyen a tömegmérő platformra felszerelve.
➔ A mérleg ezután használatra kész.



4.4 Üzembe helyezés

4.4.1 A mérleg csatlakoztatása



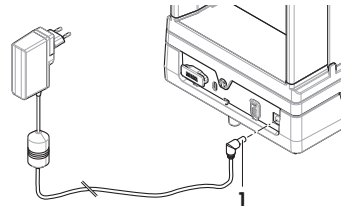
FIGYELMEZTETÉS

Halált vagy súlyos sérülést okozó áramütés veszélye

Az áram alatt lévő alkatrészek érintése sérülést vagy halált okozhat.

- 1 Kizárólag a műszerhez készült METTLER TOLEDO tápkábel és hálózati adaptert használja.
- 2 Földelt konnektorba csatlakoztassa a tápkábelt.
- 3 Ügyeljen arra, hogy az elektromos kábeleket és csatlakozókat ne érje folyadék vagy nedveség.
- 4 Ellenőrizze a kábelek és a tápcsatlakozó épségét; a sérült kábeleket és tápcsatlakozókat cserélje ki.

- 1 A kábeleket úgy rendezze el, hogy ne sérüljenek és ne zavarják a készülék működtetését.
- 2 Csatlakoztassa a hálózati AC/DC adapter (1) csatlakozódugaszát a készülék hálózati aljzatába.
- 3 Csatlakoztassa a tápkábel másik dugaszát egy könnyen hozzáférhető földelt konnektorba.
⇒ A mérleg automatikusan bekapcsol.



Jegyezd

Ne csatlakoztassa a készüléket kapcsolóval vezérelt konnektorba. A pontos mérés érdekében a készüléket bekapcsolás után hagyni kell bemelegedni.

Lásd itt is:

🔗 Általános adatok ▶ 30. oldal

4.4.2 A mérleg bekapcsolása

A tápellátás csatlakoztatásakor a mérleg automatikusan bekapcsol.

Akklimatizálódás és bemelegedés

Ahhoz, hogy a mérleg megbízható eredményeket adjon, az alábbiakra van szükség:

- akklimatizálódás a szobahőmérséklethez
- bemelegedés a tápellátáshoz csatlakoztatva

A mérlegek akklimatizációs és bemelegedési ideje az „Általános adatok” menüpontban érhető el.

Jegyezd

When the balance is exiting standby, it is ready immediately.

Lásd itt is:

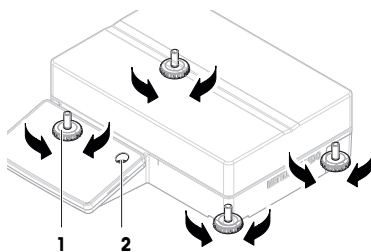
- 🔗 Általános adatok ▶ 30. oldal
- 🔗 Belépés/kilépés a készenléti üzemmódból ▶ 22. oldal
- 🔗 Belépés/Kilépés az alvó üzemmódba vagy az üzemmódból ▶ 22. oldal
- 🔗 A mérleg kikapcsolása ▶ 22. oldal

4.4.3 A mérleg vízszintezése

A pontos vízszintezés és a stabil elhelyezés egyaránt létfontosságú az ismételférhető és pontos (tömeg)mérési eredményekhez.

4.4.3.1 Nagy mérlegek vízszintezése

- 1 Csavarja be teljesen az összes vízszintbeállító lábát.
- 2 Csavarja ki az összes vízszintbeállító lábát két-három fordulattal, kivéve a bal hátsó vízszintbeállító lábát.
- 3 Forgassa addig a vízszintbeállító lábát (1), amíg a levegőbuborék a vízmérték közepére kerül (2). Kövesse a következő példát.
- 4 Csavarja ki a bal hátsó vízszintbeállító lábát úgy, hogy az érintkezzen az asztal felületével.
 - A mérleg mind a négy vízszintbeállító lábával vízszintezhető és alátámasztható.



Példa

Légbuborék 12 óránál:



Forgassa el mindkét első lábát az óramutató járásával megegyező irányba.
Forgassa el a jobb hátsó lábát az óramutató járásával ellentétes irányba.

Légbuborék 3 óránál:



Forgassa a bal első lábát az óramutató járásával megegyező irányba, a jobb első lábát pedig az óramutató járásával ellentétes irányba.
Forgassa el a jobb hátsó lábát az óramutató járásával ellentétes irányba.

Légbuborék 6 óránál:

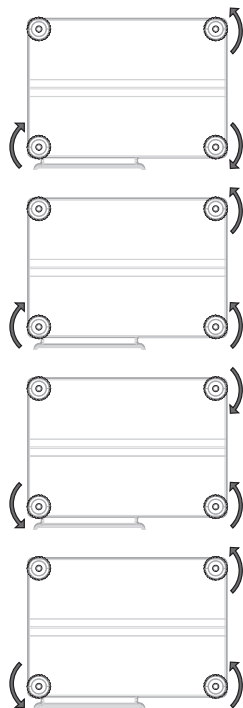


Forgassa mindkét első lábát balra.
Forgassa el a jobb hátsó lábát az óramutató járásával megegyező irányba.

Légbuborék 9 óránál:

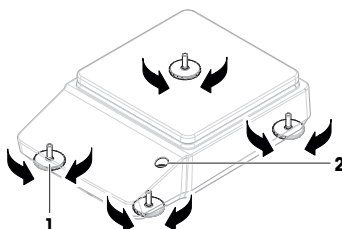


Forgassa mindkét első lábát balra.
Forgassa el a jobb hátsó lábát az óramutató járásával ellentétes irányba.



4.4.3.2 Kompakt mérlegek vízszintezése

- 1 Csavarja be teljesen mindkét vízszintbeállító lábát.
- 2 Csavarja ki két-három fordulattal mindkét első vízszintbeállító lábát.
- 3 Forgassa addig az első vízszintbeállító lábát (1), amíg a levegőbuborék a vízmérték közepére kerül (2). Kövesse a következő példát.
- 4 Csavarja ki mindkét hátsó vízszintbeállító lábát, amíg már nem csatlakoznak az asztal felületéhez.
 - A mérleg mind a négy vízszintbeállító lábával vízszintezhető és alátámasztható.



Példa

Légbuborék 12 óránál:



Forgassa mindkét lábat az óra járásának megfelelő irányba.



Légbuborék 3 óránál:



Forgassa a bal oldali lábat az óra járásának megfelelő irányba, a jobb oldali lábat az óra járásával ellentétes irányba.



Légbuborék 6 óránál:



Forgassa mindkét lábat az óra járásával ellentétes irányba.



Légbuborék 9 óránál:

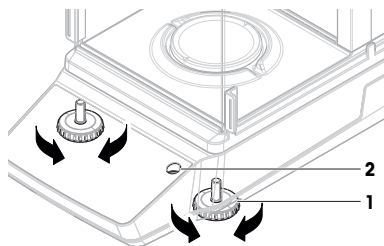


Forgassa a bal oldali lábat az óra járásával ellentétes irányba, a jobb oldali lábat az óra járásának megfelelő irányba.



4.4.3.3 Az összes többi mérleg vízszintezése

- Forgassa addig a vízszintbeállító lábat (1), amíg a levegőbuborék a vízmérték közepére kerül (2).

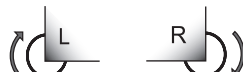


Példa

Légbuborék 12 óránál:



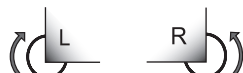
Forgassa mindkét lábat az óra járásának megfelelő irányba.



Légbuborék 3 óránál:



Forgassa a bal oldali lábat az óra járásának megfelelő irányba, a jobb oldali lábat az óra járásával ellentétes irányba.



Légbuborék 6 óránál:



Forgassa mindkét lábat az óra járásával ellentétes irányba.






Légbuborék 9 óránál:





Forgassa a bal oldali lábat az óra járásával ellentétes irányba, a jobb oldali lábat az óra járásának megfelelő irányba.



4.4.4 Belső beszabályozás végrehajtása

- 1 A fő képernyőn koppintson a(z)  elemre.
➔ Megjelenik a(z) ADJ.INT panel.
- 2 Nyomja meg a  gombot.
➔ A beállítás befejeződött.
➔ Megjelennek a beállítási eredmények.
- 3 Nyomja meg a  gombot.
➔ A mérleg használatra kész.


4.4.5 Belépés/kilépés a készenléti üzemmódból

- 1 A készenléti módba való belépéshez tartsa nyomva a  gombot 2 mp-nél rövidebb ideig.
➔ A kijelző fényereje csökken, a kijelzőn látható információk láthatók. A mérleg még be van kapcsolva.
- 2 A készenléti módból való kilépéshez nyomja meg a  gombot.
Vagy koppintson a mérőserpenyőre, vagy helyezzen egy súlyt a mérőserpenyőre.
➔ A kijelző bekapcsol.


4.4.6 Belépés/Kilépés az alvó üzemmódba vagy az üzemmódból

Jegyezd

Csak elemes üzemmódban működő kompakt mérlegek esetében releváns.

- 1 Az alvó módba való belépéshez tartsa nyomva a  gombot 2 mp-nél rövidebb ideig.
➔ A kijelző kikapcsol. A mérleg alvó üzemmódban van.
- 2 Az alvós üzemmódból való kilépéshez nyomja meg a mérleg hátulján található bekapcsoló gombot.
➔ A kijelző bekapcsol.




4.4.7 A mérleg kikapcsolása

A mérleget a teljes kikapcsoláshoz le kell választani a hálózati tápellátásról. A(z)  gomb megnyomásával a mérleg csak készenléti üzemmódba lép.

Jegyezd

Ha a mérleg egy ideig teljesen ki volt kapcsolva, a következő használat előtt be kell melegednie.

Lásd itt is:

-  A mérleg bekapcsolása ▶ 19. oldal
-  Belépés/kilépés a készenléti üzemmódból ▶ 22. oldal
-  Belépés/Kilépés az alvó üzemmódba vagy az üzemmódból ▶ 22. oldal

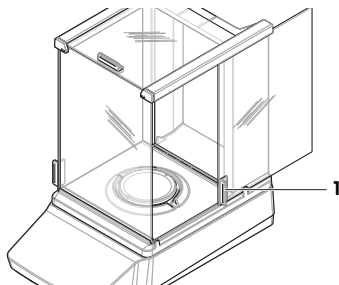
4.5 Egyszerű mérés végrehajtása

Jegyezd


Az eljárás magyarázata egy huzatvédővel ellátott mérlegen történik. A huzatvédő nélküli mérlegek esetén hagyja ki a huzatvédőre vonatkozó utasításokat.

4.5.1 A huzatvédő ajtók nyitása és zárása

- Nyissa ki kézzel az ajtót az ajtófogantyúval (1).



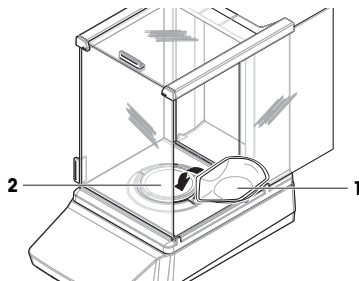
4.5.2 A mérleg nullázása

- 1 Nyissa ki a huzatvédőt.
- 2 Tisztítsa meg a mérőserpenyőt.
- 3 Csupkja be a huzatvédőt.
- 4 Nyomja meg a  gombot a mérleg lenullázásához.
➔ A mérleg nullázása lezajlott.



4.5.3 A mérleg tárazása

Táraedény használata esetén először tárazni kell a mérleget.

- A mérleg nullázása lezajlott.
- 1 Helyezze a táraedényt (1) a mérőserpenyőre (2).
- 2 Nyomja meg a →T← gombot a mérleg tárazásához.
 - ⇒ A mérleg tárazása lezajlott. Megjelenik a(z) Net ikon.



4.5.4 Tömegmérés

- 1 Nyissa ki a huzatvédőt.
- 2 Helyezze a mérendő tárgyat a táraedénybe.
- 3 Csukja be a huzatvédőt.
- 4 Várjon addig, amíg az instabilitás érzékelő  eltűnik.
 - ⇒ Megjelenik az érték.
- 5 Opcionális, ha van csatlakoztatva nyomtató: Koppintson a(z)  gombra a mérési eredmény kinyomtatásához.

4.6 Elemek használata (kompakt mérleg)

A mérleg elemről is működtethető. Normális működési körülmények között a mérleg a váltakozóáramú hálózattól függetlenül 8-15 órán keresztül működtethető (alkáli elemek használatával).

A hálózati tápellátás megszakítása után a mérleg azonnal automatikusan elemes működésre vált. Ez például a hálózati csatlakozó kihúzásával vagy áramkimaradás esetén fordulhat elő. A váltakozó áramú tápellátás helyreállítása után a mérleg automatikusan visszavált váltakozó áramú működésre.

A mérleg nyolc darab szabványos AA elemmel (LR6) működik. Alkáli elemeket használjon.

Újratölthető elemek használata is lehetséges. Az elemek nem tölthetők a mérlegben.

Ha a mérleg elemről üzemel, az elem szimbólum kigyullad a kijelzőn. Az elem szimbólumon ábrázolt szegmensek száma a töltöttségi állapotot jelzi. Ha az elemek csaknem teljesen lemerültek, az elem szimbólum villog.

Lásd itt is:

 Fő mérési képernyő ► 12. oldal

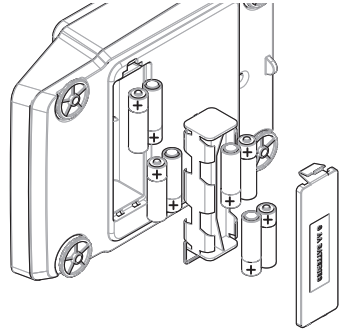
4.6.1 Az elemek behelyezése/cseréje

- Olvassa el és kövesse az elem gyártójának összes figyelmeztetését és utasítását.
- Ne használjon együtt különböző típusú, illetve gyártmányú elemeket. Az elemek teljesítménye a gyártótól függően változó lehet.
- Vegye ki az elemeket, ha hosszabb ideig nem használja a mérleget.
- Az elemek esetében a vonatkozó hulladékkezelési szabályozásoknak megfelelően kell eljárni.

Az eljárás menete a következő:

- A mérleg ki van kapcsolva.
- Távolítsa el a mérőserpenyőt.
- 1 Óvatosan fordítsa a mérleget az oldalára.

- 2 Nyissa ki és távolítsa el az elemrekesz fedelét.
- 3 Helyezze be/cserélje ki az elemeket a helyes – az elem-tartón is feltüntetett – polaritással.
- 4 Helyezze vissza és csukja le az elemrekesz fedelét.
- 5 Óvatosan fordítsa vissza a mérleget a normál helyzetbe.
- 6 Helyezze vissza az összes alkatrészt fordított sorrendben.



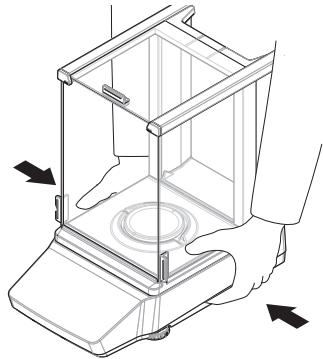
4.7 Szállítás, csomagolás és tárolás

4.7.1 A mérleg szállítása kis távolságra

- 1 Válassza le a hálózati adaptert, és húzza ki a csatlakozókábeleket.
- 2 Fogja meg két kézzel a mérleget és vízszintesen tartva vigye el a célhelyre. Ügyeljen rá, hogy az új hely megfeleljen a szükséges követelményeknek.

A mérleg üzembe helyezéséhez kövesse az alábbi lépéseket:

- 1 Végezze el a csatlakoztatást fordított sorrendben.
- 2 Hagyjon elegendő időt a mérlegnek a bemelegedésre.
- 3 Vízszintezze a mérleget.
- 4 Hajtson végre belső beállításokat.



Lásd itt is:

- 🔗 A hely kiválasztása ▶ 14. oldal
- 🔗 A mérleg bekapcsolása ▶ 19. oldal
- 🔗 A mérleg vízszintezése ▶ 19. oldal
- 🔗 Belső beállítások végrehajtása ▶ 21. oldal

4.7.2 A mérleg szállítása nagy távolságra

METTLER TOLEDO az eredeti csomagolás használatát javasolja a mérleg vagy annak részegységei nagy távolságra történő szállításához. Az eredeti csomagolás kifejezetten a mérleghez és annak alkatrészeihez van kialakítva, hogy maximális védelmet nyújtson a szállítás során.

Lásd itt is:

- 🔗 A mérleg kicsomagolása ▶ 15. oldal

4.7.3 Csomagolás és tárolás

A mérleg csomagolása

Őrizze meg biztos helyen a csomagolás minden részét. Az eredeti csomagolás kifejezetten a mérleghez és annak alkatrészeihez van kialakítva, hogy maximális védelmet nyújtson a szállítás és a tárolás során.

A mérleg tárolása

A mérleget csak az alábbi körülmények között szabad tárolni:

- beltérben, az eredeti csomagolásában

- a környezeti feltételeknek megfelelően, lásd "Műszaki adatok"

Jegyezd

Ha 6 hónapnál hosszabb ideig tárolja a műszert, az akkumulátor lemerülhet (ekkor csak a dátum- és időbeállítások vesznek el).

Lásd itt is:

 [Műszaki adatok](#) ▶ 30. oldal

5 Karbantartás

A mérleg működőképességének és a mérési eredmények pontosságának garantálása érdekében a felhasználónak néhány karbantartási műveletet el kell végeznie.



A részletes információkért tekintse meg a Referencia-kézikönyvet (RM).

 www.mt.com/MA-RM

5.1 Karbantartási feladatok

Karbantartási művelet	Ajánlott gyakoriság	Megjegyzés
Belső beszabályozás végrehajtása	<ul style="list-style-type: none"> • Naponta • Tisztítás után • Vízszintezés után • A műszer áthelyezése után 	lásd "Belső beszabályozás végrehajtása"
Rutintesztek elvégzése (excentrikussági teszt, ismételhetőségi teszt, érzékenységi teszt). METTLER TOLEDO legalább az érzékenységi teszt elvégzését javasolja.	<ul style="list-style-type: none"> • Tisztítás után • A mérleg összeszerelése után • Szoftverfrissítés után • A belső szabályoktól függően (SOP) 	lásd "Tesztek" a Referencia-kézikönyvben
Tisztítás	<ul style="list-style-type: none"> • Minden használat után • A szennyezettségi szinttől függően • A belső előírásoktól függően (SOP) 	lásd "Tisztítás"
A szoftver frissítése	<ul style="list-style-type: none"> • A belső szabályoktól függően (SOP). • Új szoftver kiadása után. 	lásd "Szoftverfrissítés" a Referencia-kézikönyvben

Lásd itt is:

 [Belső beszabályozás végrehajtása](#) ▶ 21. oldal

 [Tisztítás](#) ▶ 25. oldal

5.2 Tisztítás

5.2.1 Szétszerelés a tisztításhoz

Jegyezd

Az egyes mérlegmodellek különbözőképpen néznek ki.

Jegyezd

A legtöbb esetben nem szükséges eltávolítani a védőburkolatot a mérleg tisztításához.

5.2.1.1 Huzatvédővel felszerelt mérlegek



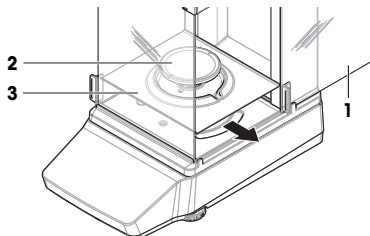
VIGYÁZAT

Éles tárgyak vagy törött üveg miatti sérülésveszély

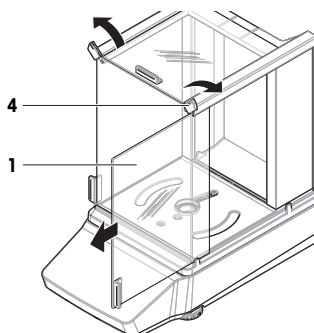
A műszer részegységei, pl. az üveg eltörhet, és sérülést okozhat.

- Mindig odafigyeléssel, körültekintően járjon el.

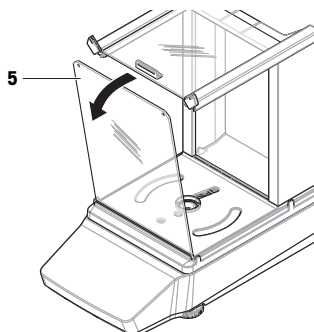
- 1 Nyissa ki teljesen az oldalajtókat (1).
- 2 Szükség esetén távolítsa el a mérőserpenyőt (2) és a kármentő tálcát.(3)



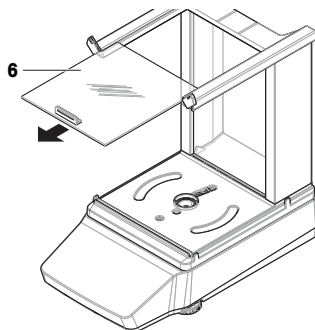
- 3 Fordítsa el a QuickLock-ot (4), és az eltávolításhoz húzza előre az oldalajtót (1) (jobb, bal).



- 4 Billentse előre az elülső panelt (5), és emelje ki felfelé.



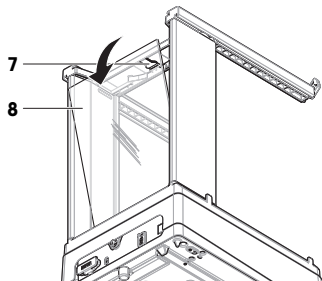
- 5 Húzza a felső ajtót (6) előre az eltávolításhoz.



- 6 Nyomja meg a kioldógombot (7), és hajtsa le a hátlapot (8) a levételhez.

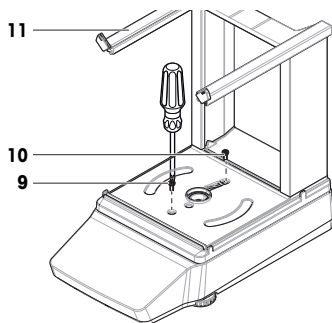
Jegyezd

Választható, ha szükséges: A tisztításhoz távolítsa el a védőburkolatot az alábbiak szerint.

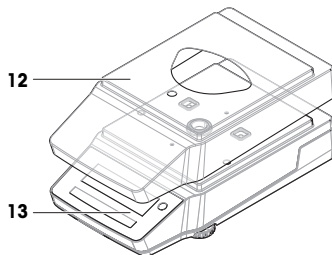


- 7 Távolítsa el az előlő csavart (9) és a hátsó csavart (10) egy csillagfejű csavarhúzóval.

- 8 Távolítsa el a huzatvédőt (11).



- 9 Távolítsa el a védőburkolatot (12) a tömegmérő platformról (13).

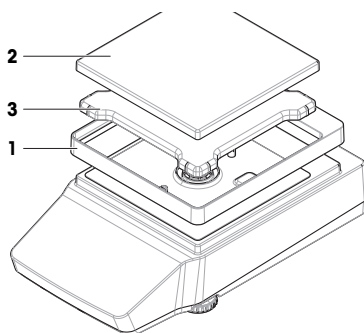


5.2.1.2 Huzatvédő nélküli mérlegek

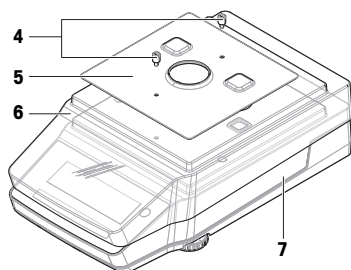
- 1 Távolítsa el a huzatvédő elemet (1).
- 2 Távolítsa el a mérőserpenyőt (2).
- 3 Távolítsa el a mérőserpenyő-tartót (3).

Jegyezd

Választható, ha szükséges: A tisztításhoz távolítsa el a védőburkolatot az alábbiak szerint.

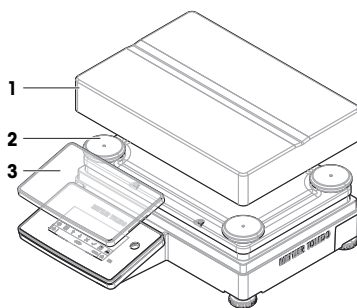


- 4 Távolítsa el a csavarokat (4) az EMC-lemez eltávolításához (5).
- 5 Távolítsa el a védőburkolatot (6) a tömegmérő platformról (7).



5.2.1.3 Nagy méretű mérlegek

- 1 Távolítsa el a mérőserpenyőt (1).
- 2 Távolítsa el a mérőserpenyőtartó-sapkákat (2).
- 3 Választható, ha szükséges: A tisztításhoz távolítsa el a védőburkolatot (3).



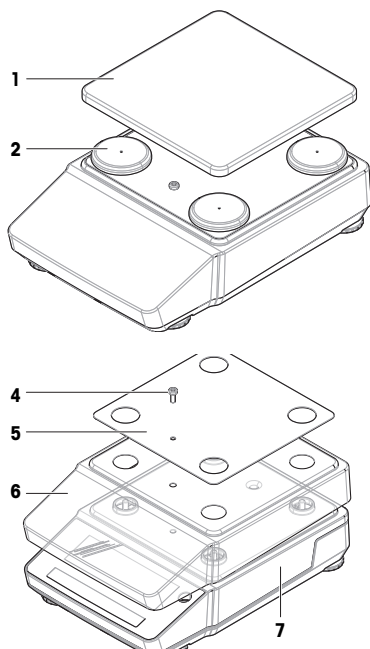
5.2.1.4 Kompakt mérlegek

- 1 Távolítsa el a mérőserpenyőt (1).
- 2 Távolítsa el a mérőserpenyőtartó-sapkákat (2).

Jegyezd

Választható, ha szükséges: A tisztításhoz távolítsa el a védőburkolatot az alábbiak szerint.

- 3 Távolítsa el a csavart (4) az EMC-lemez eltávolításához (5).
- 4 Távolítsa el a védőburkolatot (6) a tömegmérő platformról (7).



5.2.2 A mérleg tisztítása



ÉRTESÍTÉS

A műszer nem megfelelő tisztítási módszerek miatti károsodásának veszélye

Ha folyadék kerül a borítás alá, a műszer megrongálódhat. Bizonyos tisztító-, oldó- vagy súrolószerek kárt tehetnek a műszer felületében.

- 1 Ne permetezzen vagy öntsön folyadékot a műszerre.
- 2 Kizárólag a műszer referencia-kézikönyvében vagy a "8 Steps to a Clean Balance" útmutatóban megadott tisztítószereket használjon.
- 3 A műszer tisztításához mindig csak enyhén nedves, szálmentes textilt vagy törülkövényt használjon.
- 4 A ráömlött folyadékot azonnal törölje le.



A mérleg tisztításáról további információkat a „8 Steps to a Clean Balance” részben talál.

► www.mt.com/lab-cleaning-guide

A mérleg környékének tisztítása

- Portalanítsa és tisztítsa meg a mérleg körüli területet a további szennyeződés elkerülésére.

A terminál tisztítása

- Tisztítsa meg a terminált enyhe tisztítószeres ruhával vagy törülkövével.

A levehető alkatrészek tisztítása

- Tisztítsa meg a leszerelt alkatrészt enyhe tisztítószeres ruhával vagy törlőkendővel, vagy mossa el mosogatógépben, legfeljebb 80 °C-on.

A tömegmérő egység tisztítása

- 1 Válassza le a mérleget a hálózati adatterről.
- 2 A mérleg felületének tisztításához használjon szálmentes, enyhe tisztítószerezal megnedvesített ruhát.
- 3 Távolítsa el a port egyszer használatos törlőkendővel.
- 4 Enyhe oldószerezal (pl. 70%-os izopropanol vagy etanol), szálmentes ruhával távolítsa el a ragadós anyagokat.

5.2.3 Üzembe helyezés tisztítás után

- 1 Szerelje össze a mérleget.
- 2 Ellenőrizze, hogy megfelelően nyílnak és csukódnak-e a huzatvédő ajtók, ha vannak (felül és oldalt).
- 3 Csatlakoztassa a mérleget a hálózati AC/DC adapterhez.
- 4 Ellenőrizze, hogy a mérleg vízszintben van-e; szükség esetén végezze el a mérleg vízszintezését.
- 5 Vegye figyelembe a "Műszaki adatok" által meghatározott bemelegedési időt.
- 6 Hajtson végre belső beszabályozást.
- 7 Vállalata belső előírásai alapján végezzen rutinellenőrzést. A(z) METTLER TOLEDO érzékenységi teszt végrehajtását javasolja a mérleg tisztítása után.
- 8 Nyomja meg a **→0←** gombot a mérleg lenullázásához.
⇒ A mérleg ezután használatra kész.

Lásd itt is:

- 🔗 A mérleg vízszintezése ▶ 19. oldal
- 🔗 Műszaki adatok ▶ 30. oldal
- 🔗 Belső beszabályozás végrehajtása ▶ 21. oldal

5.3 Szolgáltatások

A hivatalos szerviztechnikus által végzett rendszeres szervizelés éveken át biztosítja a megbízhatóságot. Vegye fel a kapcsolatot a METTLER TOLEDO képviselőjével az elérhető szervizlehetőségekről.

6 Műszaki adatok

6.1 Általános adatok

Tápellátás

AC/DC adapter: Bemenet: 100 – 240 V AC ± 10%, 50 – 60 Hz, 0.5 A

Kimenet: 12 V DC, 1 A, LPS

Mérleg teljesítményfelvétele: 12 V DC ± 10%, 0,5 A

Polaritás:



Tápellátás (opcionális)

AC/DC adapter: Bemenet: 100–240 V AC ± 10%, 50–60 Hz, 0,8 A, 61–80 VA

Kimenet: 12 V DC, 2,5 A, LPS

AC/DC adapter kábele:

3 eres, országspecifikus csatlakozóval

Mérleg teljesítményfelvétele: 12 V DC ± 10%, 0,5 A

Polaritás:



Védelem és szabványok

Tűlfeszültség kategória:

II

Szennyezettségi szint:	2
Külső behatásokkal szembeni védetség	IP43 (csak precíziós mérlegek)
	Jegyezd
	A megadott IP védetség csak akkor érhető el, ha a mérleg üzemkész. A védőburkolat fel kell hogy legyen szerelve, és a kupakoknak le kell fedniük az interfész csatlakozásokat.
Biztonsági és EMC szabványok:	Lásd a Megfelelőségi nyilatkozatot
Alkalmazási terület:	Kizárólag beltérben, száraz körülmények között használható

Környezeti feltételek

A határértékek abban az esetben érvényesek, ha a mérleget az alábbi környezeti feltételek mellett használják:

Tengerszint feletti magasság:	5000 m-ig
Környezeti hőmérséklet:	+10 – +30 °C
Hőmérséklet-változás, max.:	5 °C/h
Relatív páratartalom:	30–70%, nem kondenzálódó
Akklimatizációs idő:	Javaslat: Akár 4 óra a precíziós mérlegek, vagy akár 8 óra az analitikai mérlegek esetében. Ezek az értékek akkor érvényesek, ha a mérleget ugyanarra a helyre helyezik, ahol üzembe helyezik..

Jegyezd

Az akklimatizációs idő függ a mérleg pontosságától és a környezeti feltételektől.

Bemelegedési idő:	Legalább 30 perc precíziós mérlegek, illetve 60 perc analitikai mérlegek esetén. Ezek az értékek azután érvényesek, hogy a mérleget csatlakoztatta az áramforráshoz. A készenléti állapotból történő bekapcsolást követően a mérleg azonnal üzemkész.
-------------------	---

A mérleg a következő környezeti feltételek mellett használható: A mérleg műszaki adatai azonban a határértékek kivül eshetnek:

Környezeti hőmérséklet:	+5 – +40 °C
Relatív páratartalom:	20% – max. 80% 31 °C hőmérsékleten, majd a felső határ 40 °C-ig lineárisan csökken 50%-ra; nem kondenzálódó

A mérleg leválasztható és a csomagolásában tárolható a következő feltételek mellett:

Környezeti hőmérséklet:	-25 – +70 °C
Relatív páratartalom:	10–90%, nem kondenzálódó

7 Selejtezés

Az elhasznált elektromos és elektronikai készülékekről szóló 2012/19/EU európai irányelvnek megfelelően ezt a készülék nem dobható a háztartási hulladék közé. Ez vonatkozik az EU-n kívüli országokra is, azok adott követelményei szerint.

Ezt a terméket a helyi rendelkezéseknek megfelelően az elektromos és elektronikus berendezések számára kijelölt gyűjtőhelyen selejtezze le. Ha bármilyen kérdése van, vegye fel a kapcsolatot az illetékes hivattal vagy azzal a kereskedővel, akitől ezt a készüléket vásárolta. Ha a készüléket más félnek adják át, ennek a szabálynak a tartalmáról is tájékoztatni kell.



8 Megfelelőségi információk

A nemzeti engedélyezési dokumentumok, például az FCC Szállítói megfeleléségi nyilatkozat online és/vagy a termékhez csomagolva áll rendelkezésre.

► www.mt.com/ComplianceSearch



A részletes információkért tekintse meg a Referencia-kézikönyvet (RM).

► www.mt.com/MA-RM

To protect your product's future:

METTLER TOLEDO Service assures the quality, measuring accuracy and preservation of value of this product for years to come.

Please request full details about our attractive terms of service.

► www.mt.com/service

www.mt.com/MA-balances

For more information

Mettler-Toledo GmbH

Im Langacher 44
8606 Greifensee, Switzerland
www.mt.com/contact

Subject to technical changes.

© 12/2023 METTLER TOLEDO. All rights reserved.
30491854A en, de, es, fr, zh, ja, cs, da, hr, hu



30491854