

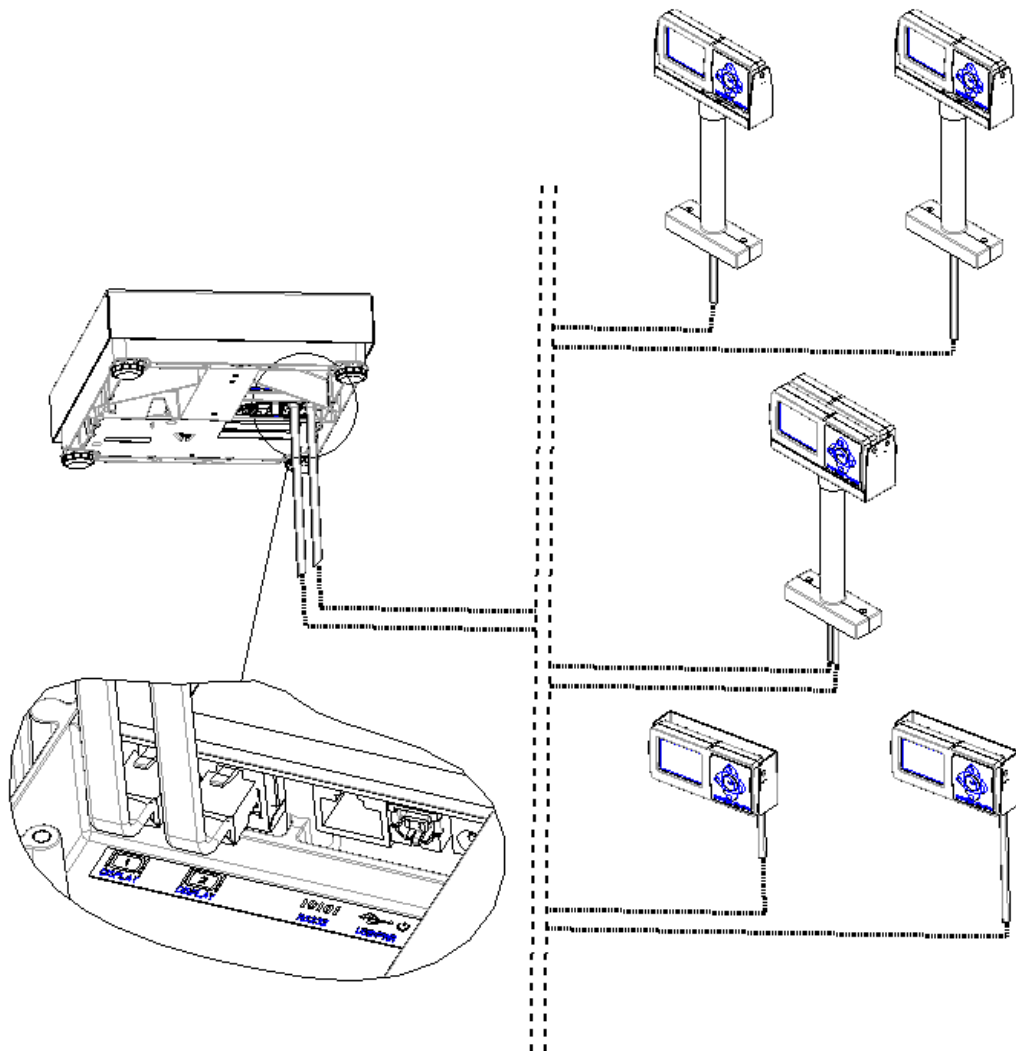
0271 DUAL REMOTE DISPLAYS

MAJOR COMPONENTS:

1. BCA SCALE WITH NO BASE-MOUNTED DISPLAY
2. REMOTE DISPLAYS:
 - a. (2) WALL MOUNTS or
 - b. (2) SINGLE TOWERS or
 - c. (1) WALL MOUNT, (1) SINGLE TOWER or
 - d. (1) DUAL TOWER

INSTALLATION INSTRUCTIONS:

1. REMOVE POWER FROM SCALE BEFORE TAKING ANY STEPS TOWARD ADDING DISPLAYS.
2. LOCATE THE I/O CONNECTOR ACCESS UNDER THE SCALE.
3. IF THERE IS A BASE-MOUNTED DISPLAY, THIS MUST BE DISCONNECTED.
4. RELEASE THE RJ45 "PHONE" STYLE CONNECTOR BY PRESSING DOWN THE TAB.
5. CONNECT THE NEW DISPLAYS BY SIMPLY PUSHING THE RJ45 CONNECTOR INTO EITHER DISPLAY CONNECTOR UNTIL IT CLICKS.
6. MOUNT THE REMOTE DISPLAYS WHERE DESIRED. (MOUNTING SCREWS NOT PROVIDED.)
7. ARRANGE AND SECURE EXCESS CABLE TO ASSURE A SAFE INSTALLATION.



METTLER TOLEDO



30139358