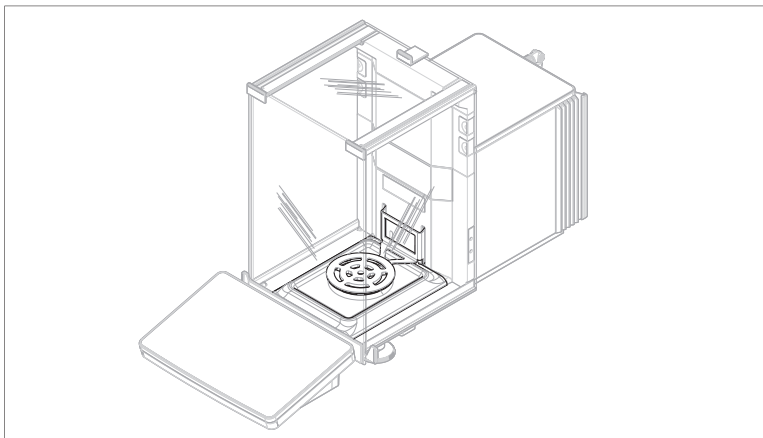


## SmartScan for XPR Balances



### English

#### Installation

This accessory must be installed by a METTLER TOLEDO service technician.

#### Compliance Information

##### United States of America

This equipment has been tested and found to comply with the limits for a **Class A** digital device, pursuant to part 15 of the FCC Rules. These limits are designed to provide reasonable protection against harmful interference when the equipment is operated in a commercial environment. This equipment generates, uses, and can radiate radio frequency energy and, if not installed and used in accordance with the instruction manual, may cause harmful interference to radio communications. Operation of this equipment in a residential area is likely to cause harmful interference in which case the user will be required to correct the interference at his own expense.

This device complies with Part 15 of the FCC Rules. Operation is subject to the following two conditions:

1. This device may not cause harmful interference.

**METTLER TOLEDO**

2. This device must accept any interference received, including interference that may cause undesired operation.

Changes or modifications not expressly approved by the party responsible for compliance could void the user's authority to operate the equipment.

### Canada

This device contains licence-exempt transmitter(s)/receiver(s) that comply with Innovation, Science and Economic Development Canada's licence-exempt RSS(s). Operation is subject to the following two conditions:

1. This device may not cause interference.
2. This device must accept any interference, including interference that may cause undesired operation of the device.

### Singapore



### South Africa



### Thailand



## Deutsch

### Installation

Dieses Zubehör muss von einem METTLER TOLEDO-Service-Techniker installiert werden.

## Español

### Instalación

Este accesorio debe ser instalado por un técnico de mantenimiento de METTLER TOLEDO.

### Installation

Cet accessoire doit être installé par un technicien de maintenance METTLER TOLEDO.

### Informations sur la conformité

#### Canada

L'émetteur/récepteur exempt de licence contenu dans le présent appareil est conforme aux CNR d'Innovation, Sciences et Développement économique Canada applicables aux appareils radio exempts de licence.

L'exploitation est autorisée aux deux conditions suivantes :

1. L'appareil ne doit pas produire de brouillage.
2. L'appareil doit accepter tout brouillage radioélectrique subi, même si le brouillage est susceptible d'en compromettre le fonctionnement.

## 简体中文

### 安装

该附件必须由METTLER TOLEDO服务技术人员进行安装。

## 日本語

### 設置

本アクセサリは、メトラー・トレドのサービス技術者が取り付けなければなりません。

**Mettler-Toledo GmbH**

Im Langacher 44  
8606 Greifensee, Switzerland  
[www.mt.com/contact](http://www.mt.com/contact)

Subject to technical changes.

© Mettler-Toledo GmbH 12/2020  
30491783B en, de, es, fr, zh, ja



30491783